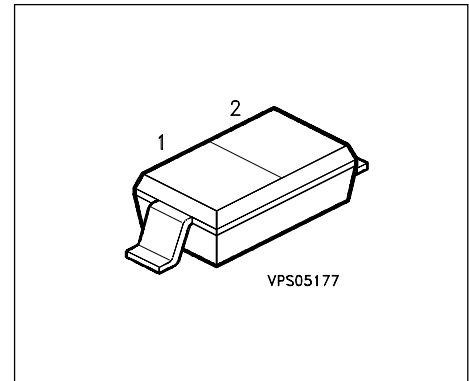


## Silicon Variable Capacitance Diode

- For tuning of extended frequency band in VHF TV/ VTR tuners



Type	Marking	Ordering Code	Pin Configuration		Package
BB 619C	yellow S	Q62702-B683	1 = C	2 = A	SOD-123

### Maximum Ratings

Parameter	Symbol	Values	Unit
Diode reverse voltage	$V_R$	30	V
Peak reverse voltage ( $R \geq 5k\Omega$ )	$V_{RM}$	35	
Forward current	$I_F$	20	mA
Operating temperature range	$T_{op}$	- 55 ... + 125	°C
Storage temperature	$T_{stg}$	- 55 ... + 150	

### Thermal Resistance

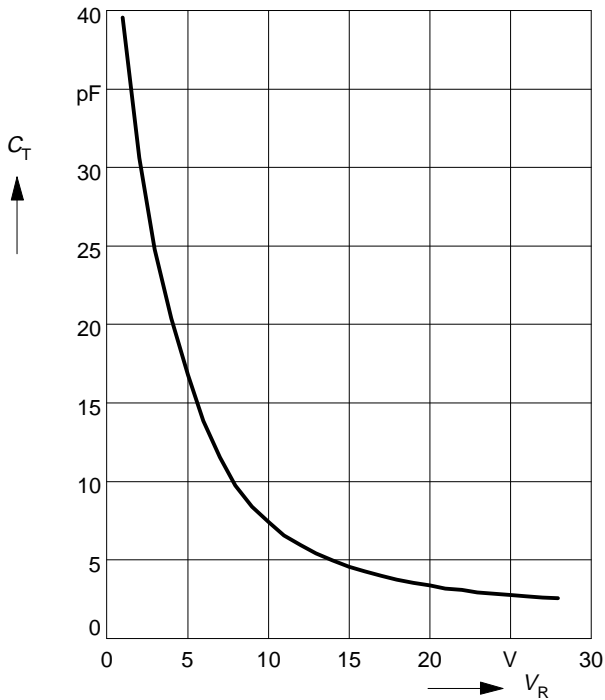
Junction - ambient	$R_{thJA}$	$\leq 450$	K/W
--------------------	------------	------------	-----

**Electrical Characteristics** at  $T_A=25^\circ\text{C}$ , unless otherwise specified

Parameter	Symbol	Values			Unit
		min.	typ.	max.	
<b>DC characteristics</b>					
Reverse current	$I_R$				nA
$V_R = 30\text{ V}, T_A = 25^\circ\text{C}$		-	-	10	
$V_R = 30\text{ V}, T_A = 85^\circ\text{C}$		-	-	200	
<b>AC characteristics</b>					
Diode capacitance	$C_T$				pF
$V_R = 1\text{ V}, f = 1\text{ MHz}$		36	39	42	
$V_R = 2\text{ V}, f = 1\text{ MHz}$		27	30.2	33.2	
$V_R = 25\text{ V}, f = 1\text{ MHz}$		2.5	2.72	3.05	
$V_R = 28\text{ V}, f = 1\text{ MHz}$		2.4	2.55	2.8	
Capacitance ratio	$C_{T2}/C_{T25}$				-
$V_R = 2\text{ V}, V_R = 25\text{ V}, f = 1\text{ MHz}$		9.5	11.1	-	
Capacitance ratio	$C_{T1}/C_{T28}$				-
$V_R = 1\text{ V}, V_R = 28\text{ V}, f = 1\text{ MHz}$		13.5	15.3	-	
Capacitance matching	$\Delta C_T/C_T$				%
$V_R = 28\text{ V}, f = 1\text{ MHz}$		-	-	2.5	
Series resistance	$r_s$				$\Omega$
$V_R = 5\text{ V}, f = 470\text{ MHz}$		-	0.6	-	
Series inductance	$L_s$				nH
		-	2.5	-	

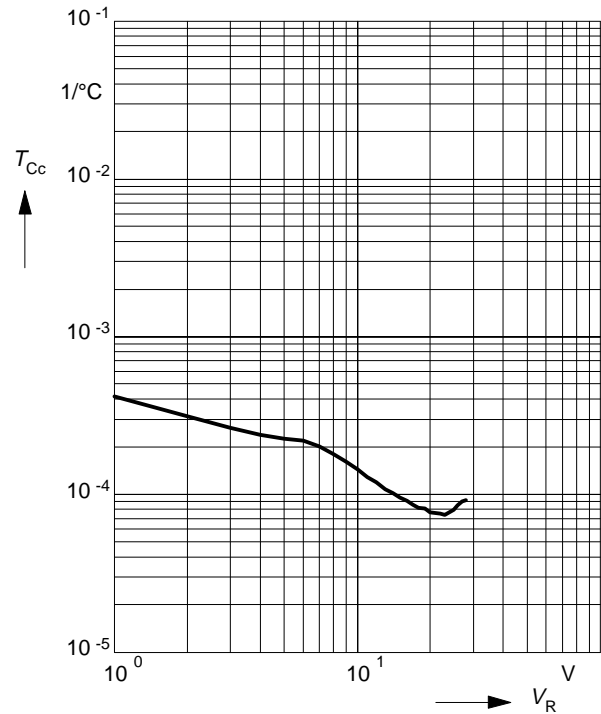
**Diode capacitance  $C_T = f(V_R)$**

$f = 1\text{MHz}$



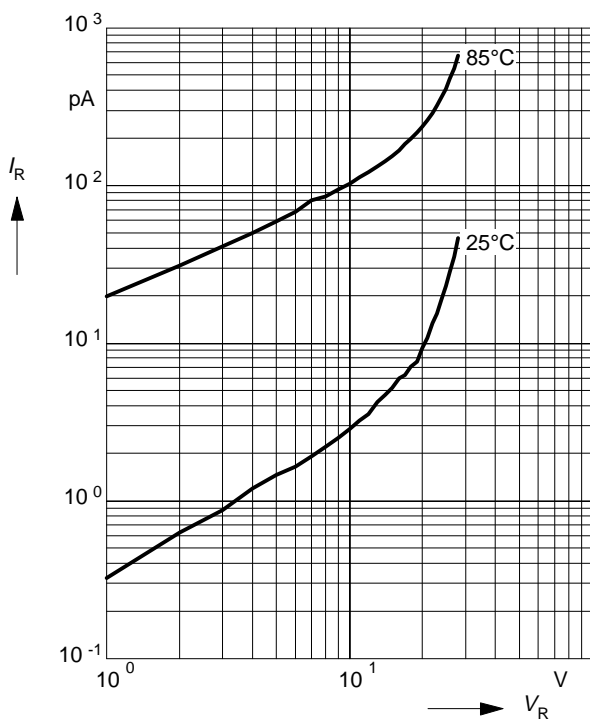
**Temperature coefficient of the diode capacitance  $T_{Cc} = f(V_R)$**

$f = 1\text{MHz}$



**Reverse current  $I_R = f(T_A)$**

$V_R = 28\text{V}$



**Reverse current  $I_R = f(V_R)$**

$T_A = \text{Parameter}$

