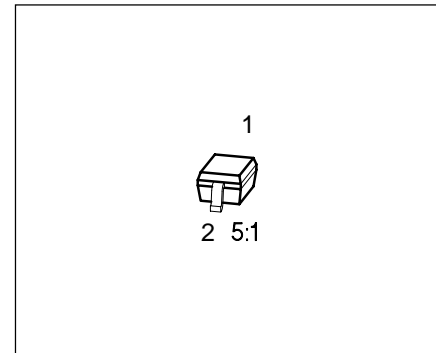


## Silicon Variable Capacitance Diode

**BB 641**

- For VHF Hyperband TV/TR tuners
- High capacitance ratio
- Low series resistance



Type	Ordering Code (tape and reel)	Pin Configuration			Marking	Package
		1		2		
BB 641	Q62702-B792	C		A	red G	SOD-323

### Maximum Ratings

Parameter	Symbol	Values	Unit
Reverse voltage	$V_R$	30	V
Reverse voltage ( $R \geq 5 \text{ k}\Omega$ )	$V_{RM}$	35	V
Forward current	$I_F$	20	mA
Operating temperature range	$T_{op}$	- 55 ... + 150	°C
Storage temperature range	$T_{stg}$	- 55 ... + 150	°C

### Thermal Resistance

Junction-ambient	$R_{th \text{ JA}}$	$\leq 450$	K/W
------------------	---------------------	------------	-----

## Electrical Characteristics

at  $T_A = 25\text{ }^\circ\text{C}$ , unless otherwise specified.

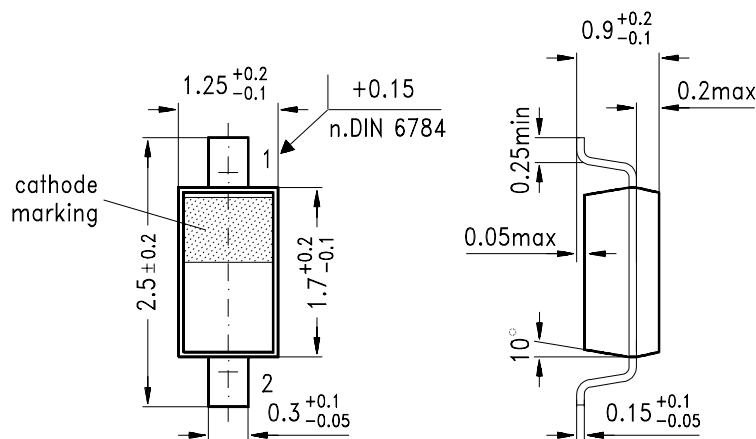
Parameter	Symbol	Value			Unit
		min.	typ.	max.	

### DC Characteristics

Reverse current $V_R = 30\text{ V}$ $V_R = 30\text{ V}, T_A = 85\text{ }^\circ\text{C}$	$I_R$	– –	– –	20 200	nA
Diode capacitance $V_R = 1\text{ V}, f = 1\text{ MHz}$ $V_R = 28\text{ V}, f = 1\text{ MHz}$	$C_T$	62 2.65	69 2.88	76 3.1	pF
Capacitance ratio $V_R = 1\text{ V}, 28\text{ V}, f = 1\text{ MHz}$	$C_{T1}/C_{T28}$	22	24	–	–
Capacitance matching $V_R = 1\text{ V} \dots 28\text{ V}, f = 1\text{ MHz}$	$\Delta C_T/C_T$	–	–	2.5	%
Series resistance $C_T = 30\text{ pF}, f = 100\text{ MHz}$	$r_s$	–	1.55	–	$\Omega$
Series inductance	$L_s$	–	1.8	–	nH

### Package Outline

#### SOD-323



Dimensions in mm

GPS05556

Diode capacitance  $C_T = f(V_R)$

$f = 1 \text{ MHz}$

