

Q-Flex® QA-750 Accelerometer

Cost-effective inertial-grade sensor

For Q-Flex technology in an economical package, Honeywell produces the QA750 for a broad array of moderate performance applications.

As with the entire Q-Flex family of accelerometers, the QA750 features patented Q-Flex® etched-quartz-flexure seismic system. An amorphous quartz proof-mass structure provides excellent bias, scale factor, and axis alignment stability.

The integral electronics develops an acceleration proportional output current providing both static and dynamic acceleration measurements. By use of a customer supplied output load resistor, appropriately scaled for the acceleration range of the application, the output current can be converted into a voltage.



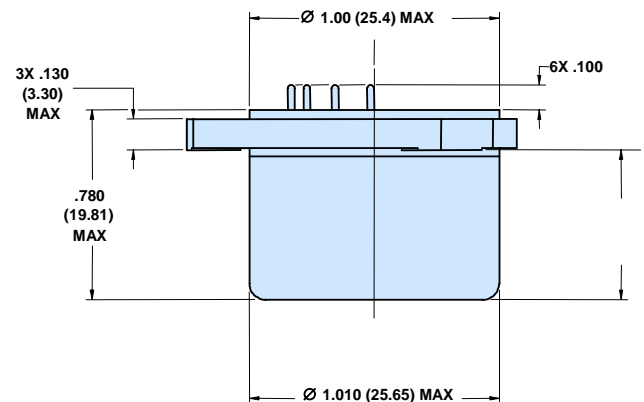
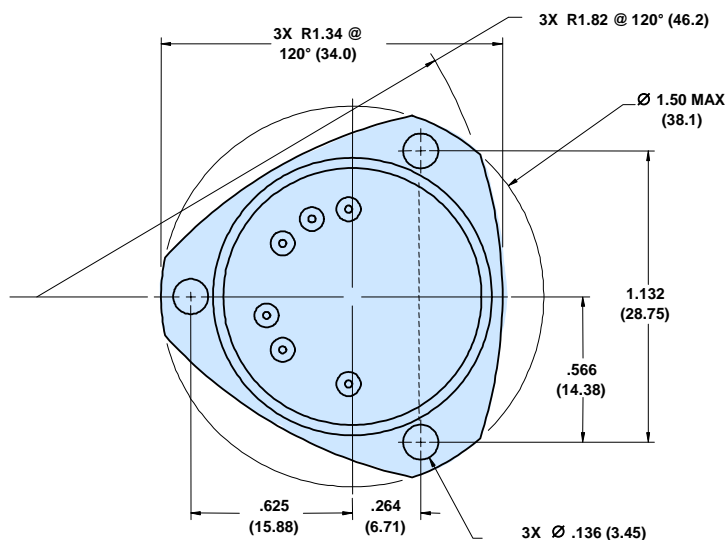
As an option, the QA750 can be provided with the temperature-compensating algorithm where bias, scale factor, and axis misalignment performance are dramatically improved.

Robust design and quality assurance provides superior reliability.

Features

- High value
- Environmentally rugged
- Analog output
- Compact design
- Field-adjustable range
- Built-in test
- Optional thermal compensation

Configuration Drawings



Performance Characteristics

Additional product specifications, outline drawings and block diagrams, and test data are available on request.

Performance	
Input Range [g]	±30
Bias [mg]	<8
One-year Composite Repeatability [µg]	<1000 (w/o model data)
Temperature Sensitivity [µg/°C]	<60
Scale Factor [mA/g]	1.20 to 1.46
One-year Composite Repeatability [ppm]	<1000 (w/o model data)
Temperature Sensitivity [ppm/°C]	<190
Axis Misalignment [µrad]	<7000
One-year Composite Repeatability [µrad]	<300
Vibration Rectification [µg/g ² rms]	<60 (50-500 Hz) <200 (500-2000 Hz)
Intrinsic Noise [µg-rms]	<7 (0-10 Hz) <70 (10-500 Hz) <1500 (500-10,000 Hz)
Environment	
Operating Temperature Range [°C]	-55 to +95
Shock [g]	200
Vibration Peak Sine [g]	20 @ 30-500 Hz
Resolution/Threshold [µg]	<1
Bandwidth [Hz]	>300
Thermal Modeling	
	-010 NO -020 YES
Electrical	
Quiescent Current per Supply [mA]	<16
Quiescent Power [mW] @ ±15 VDC	<480
Electrical Interface	Temp Sensor Voltage Self Test Power / Signal Ground
Input Voltage	±13 to ±18
Physical	
Weight [grams]	52.5 ±4
Diameter below mounting surface [inches]	Ø1.07 ±0.01
Height - bottom to mounting surface [inches]	.600 Max
Case Material	300 Series Stainless Steel

ISO-9001 Certification Since 1995

DISCLAIMER: Specifications are subject to change without notice. Honeywell reserves the right to make changes to any product or technology herein to improve reliability, function, or design. Honeywell does not assume any liability arising out of the application or use of the product.

Accelerometers exported from the United States must be done in accordance with the Export Administration Regulations (EAR) and/or the International Traffic in Arms Regulations (ITAR) as applicable.

Find out more:

www.inertialsensor.com

Defense & Space Redmond

Honeywell International, Inc.
MAIL ADDRESS: P.O. Box 97001
15001 N.E. 36th Street
Redmond, Washington 98073-9701
PHONE: 888 206 1667
FAX: 425 883 2104
www.honeywell.com

EXP037, August 2005
Copyright © 2004, Honeywell
International Inc. All Rights
Reserved. Printed in USA