



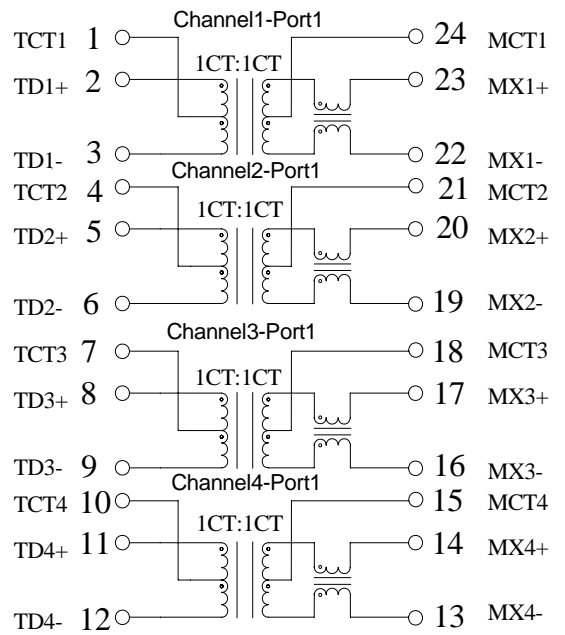
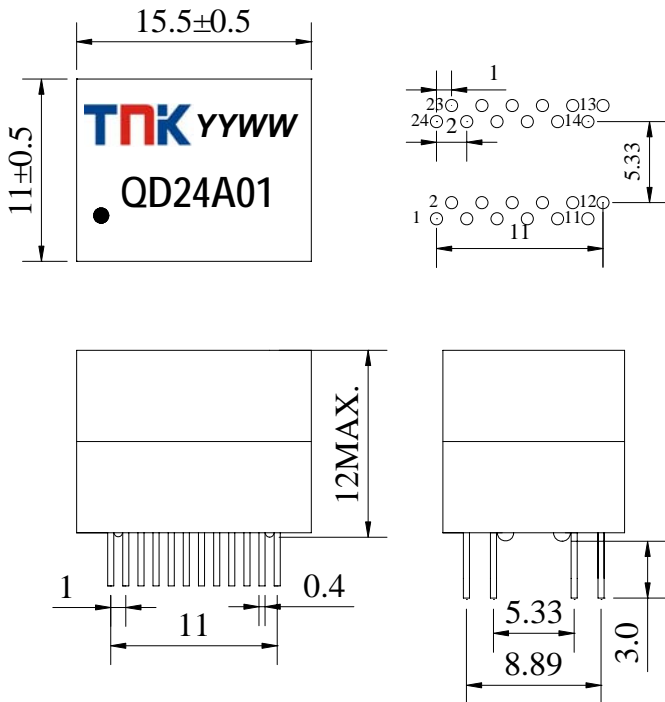
- Designed to meet IEEE802.3ab requirement
- Primary inductance 350uH min with 8mA DC Bias
- RoHS Compliant.
- Operating temperature range:0°C to +70°C
- Storage temperature range:-25°C to +125°C

## Electrical Specifications @ 25°C

Part Number	Turn Ratio		Insertion Loss 0.5~100MHz (dB Max)	Return Loss (dB Min)					Cross Talk (dB Min)		CMRR (dB Min)	Hi-Pot (Vrms)
	Tx	Rx		0.5-30 MHz	40 MHz	50 MHz	60-80 MHz	100 MHz	0.5-40 MHz	40.1-100 MHz		
QD24A01	1:1	1:1	-1.0	-18	-16	-14.1	-12	-10	-35	-30	-30	1500

## Mechanical

## Schematic



**NOTE:**

- 1、Dimensions:mm;
- 2、 Unless otherwise specified,tolerances:±0.25(mm);