



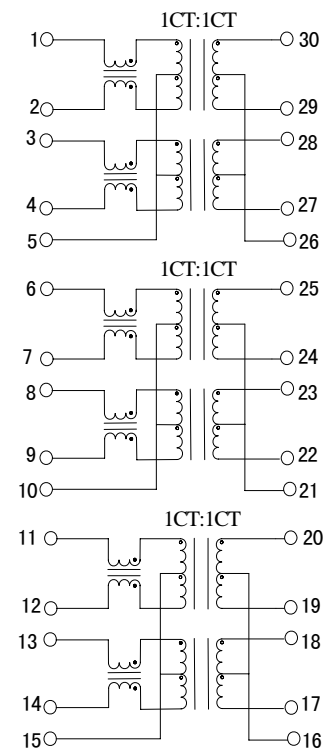
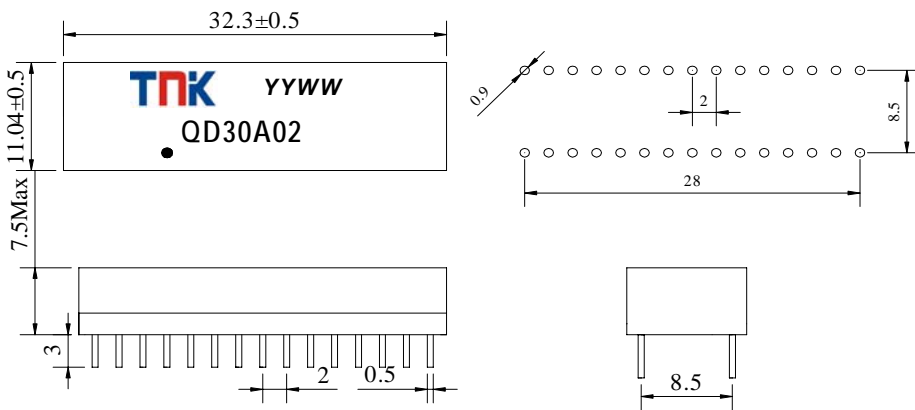
- Designed to meet IEEE802.3ab requirement
- Primary inductance 350uH min with 8mA DC Bias
- RoHS Compliant
- Operating temperature range:0°C to+70°C
- Storage temperature range:-25°C to+125°C

## Electrical Specifications @ 25°C

Part Number	Turn Ratio		Insertion Loss 0.3~100M Hz (dB Max)	Return Loss (dB Min)			Cross Talk (dB Min)			CMRR (dB Min) 0.50-100 MHz	CWW (pF Max)	LK (uH Max)	DCR (Ω Max)	Hi-Pot (Vrms)
	Tx	Rx		30 MHz	60 MHz	80 MHz	30 MHz	60 MHz	80 MHz					
QD30A02	1:1	1:1	-1.15	-20	-14	-12	-45	-40	-35	-30	56	0.5	1.5	1500

### Mechanical

### Schematics



Dimension:mm

Unless otherwise specified,tolerances:±0.25(mm)

Data sheet subject to change without notice

东莞市讯康电子科技股份有限公司

地址：广东省东莞市塘厦镇林村里牙塘工业区 145 号

TEL:(86)769-87923451

FAX:(86)769-87923450

WEBSITE:<http://www.tnk.net.cn>