



QEA95 / QEA95V

SMD 9.6x11.4 TCXO / VC-TCXO – Communications equipment applications
Specification (Rev-E)

▣ Electrical Characteristics	P01
▣ Environmental Specifications	P02
▣ Mechanical Characteristics	P02
▣ Ordering Information	P03
▣ Test Circuit	P03
▣ Packaging Drawing	P04
▣ Suggested Reflow Soldering	P05

QEA95 / QEA95V

SMD 9.6x11.4 TCXO / VC-TCXO – Communications equipment applications

Specification (rev-E)

March 16th, 2006

Electrical Characteristics

- Output : Clipped SineWave
- Load : 10KΩ//10pF

www.DataSheet4U.com □ Standard frequency : 10.0 – 12.8 – 13.0 – 14.4 – 14.7456 – 16.384 – 19.2 – 19.44 – 20.0 – 21.4 MHz

Electrical Parameters	Unit	Minimum	Typical	Maximum	Test conditions
Frequency Range	MHz	9.6		40	
Operating Temperature Range	°C		-30 to 75	-40 to 85	Refer to Ordering Information
Storage Temperature Range	°C	-40		85	
Power supply	V	3.0		5.0	Refer to Ordering Information
Frequency Adjustment - type QEA95 - type QEA95V - type QEA95V1	± ppm	3.0 3.0 Trimmerless			Mechanical Trimmer
Preset Frequency - type QEA95 - type QEA95V - type QEA95V1	± ppm			0.5 0.5 2.0	At 25°C ± 2°C
Stability vs Operating Temperature Range	± ppm		2.5		Refer to Ordering Information
Stability vs voltage variation (± 5%)	± ppm			0.3	For frequency less than 28MHz (see Note 1)
Stability vs load variation (± 10%)	± ppm			0.3	
Aging (First year at 25°C)	± ppm			1.0	For frequency less than 28MHz (see Note 2)
Supply Current 9.6MHz ≤ Fo < 16.000MHz 16.0MHz ≤ Fo ≤ 40.000MHz	mA			1.5 2.0	With load 10KΩ//10pF
Output voltage 9.6MHz ≤ Fo < 16.000MHz 16.0MHz ≤ Fo ≤ 40.000MHz	Vp-p			0.8 0.7	Clipped Sine DCcut
Pulling Range - type QEA95 - type QEA95V - type QEA95V1	ppm	- 5 8		- 10 14	5V => Vc=2.50 ± 2.00V 3.3V=> Vc=1.65 ± 1.35V 3.0V=> Vc=1.50 ± 1.00V
Phase Noise offset 10Hz offset 100Hz offset 1KHz offset 10KHz	dBc/Hz		-90 -128 -147 -148		Typical value for 10MHz TCXO.

Note 1 : for frequency ≥ 28MHz, stability vs voltage variation (± 5%) is ± 1.0ppm max

Note 2 : for frequency ≥ 28MHz, aging first year ± 2.0ppm max

QEA95 / QEA95V

SMD 9.6x11.4 TCXO / VC-TCXO – Communications equipment applications
 Specification (rev-E)

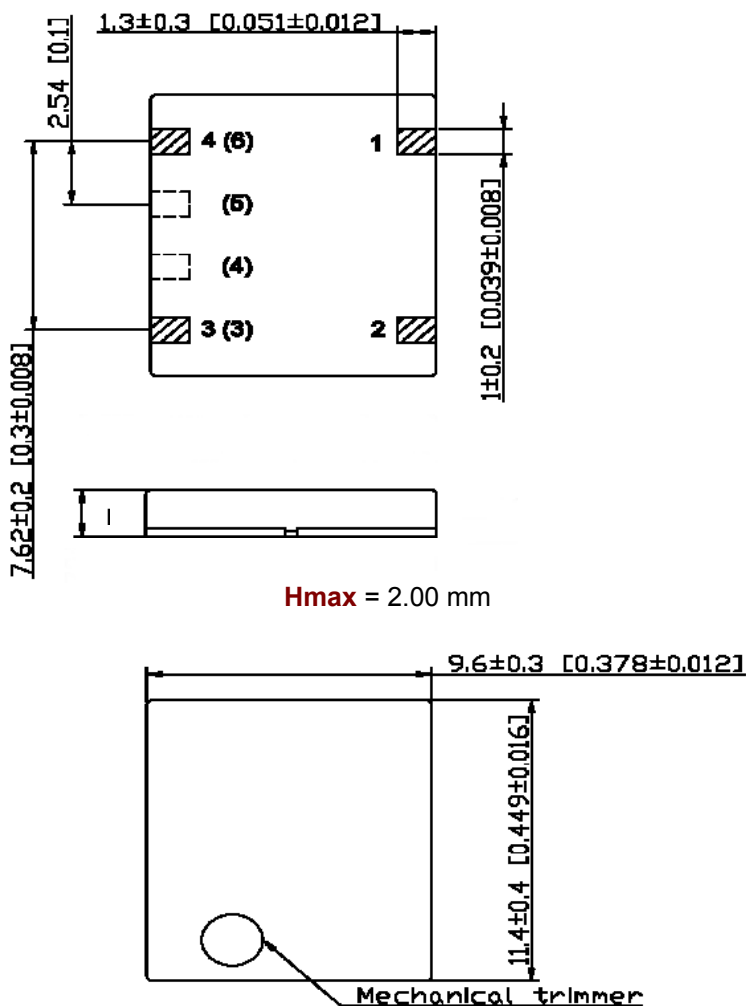
March 16th, 2006

Environmental Specifications

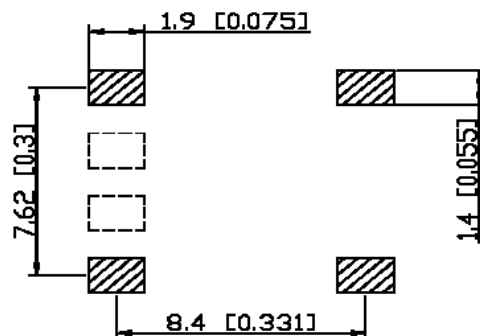
Item	Specifications
Vibration Test	Freq : 10 ~ 55Hz Cycle : 2.00mm, 3 directions each 2 hours
Shock Test	Random drop onto concrete 10 times from height of 75 cm
Humidity	RH : 90% at 40degC during 200 hours

Mechanical Characteristics

BOTTOM VIEW



SUGGESTED PAD



Pin connections			
4 pins version		6 pins version	
#1	Vcont or NC	#5	Vcont or NC
#2	GND	#1,2,4	GND
#3	Output	#3	Output
#4	Vcc	#6	Vcc

Marking			
Line 1	QEA95	QEA95V	QEA95V1
Line 1	E2 AA0*	G2 AA0*	H2 AA0*
Line 2	Frequency in MHz (6 digits)		
Line 3	Date code (YYWW) – Manuf. code		

* : see letters for Temperature stability, supply voltage and output

Example for QEA95 AA0 / 10.000MHz

- ⇒ Line 1 : E2 AA0
- ⇒ Line 2 : 10.000
- ⇒ Line 3 : 0610-R

QEA95 / QEA95V

SMD 9.6x11.4 TCXO / VC-TCXO – Communications equipment applications

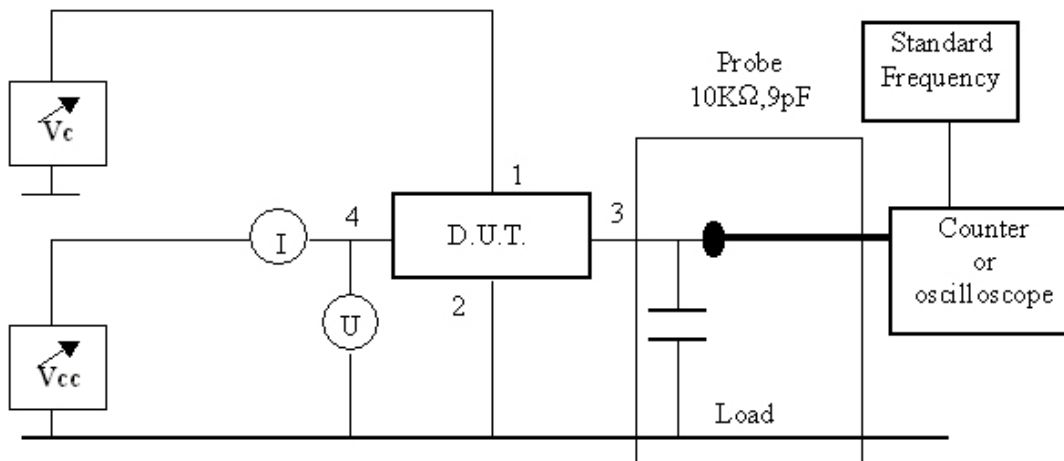
Specification (rev-E)

March 16th, 2006

Ordering Information

Part numbering system					
QEA95	V	A	E	O	12.800MHZ
Package type	Voltage Control	Temperature Stability	Supply voltage	Output	Nominal Frequency (MHz)
SMD Package QEA95 : SMD 9.6x11.4	Blank : TCXO with trimmer V : VC-TCXO with trimmer V1 : VC-TCXO trimmerless	A : ± 2.5ppm vs -30 to +75°C B : ± 1.5ppm vs -20 to +70°C C : ± 3.5ppm vs -40 to +85°C D : ± 5.0ppm vs -40 to +85°C E : ± 2.0ppm vs -20 to +70°C	A : + 5.0V D : +3.3V E : + 3.0V	0 : Clipped sine wave	Please enter the nominal frequency

Test Circuit



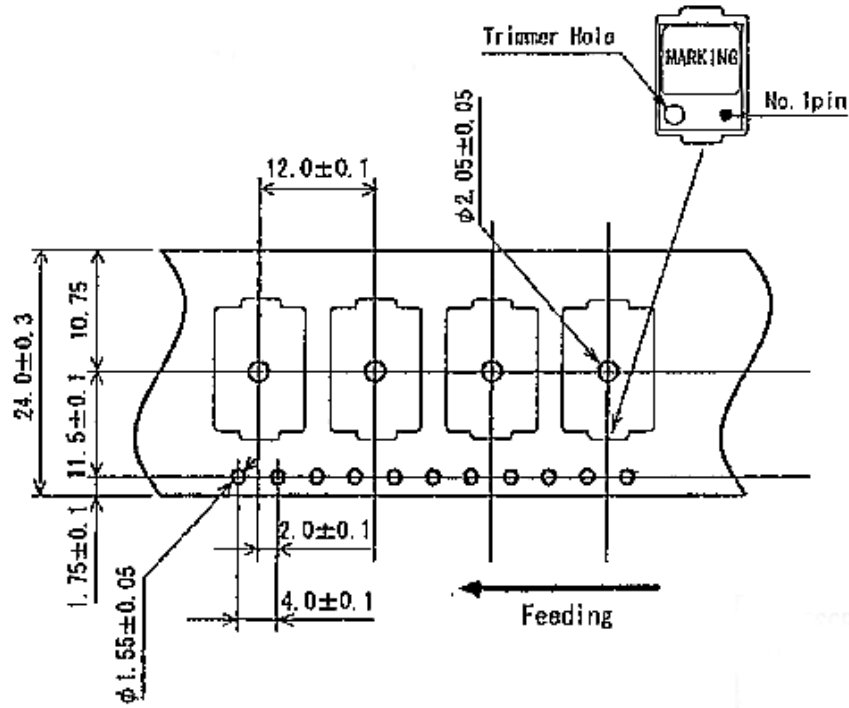
QEA95 / QEA95V

SMD 9.6x11.4 TCXO / VC-TCXO – Communications equipment applications
Specification (rev-E)

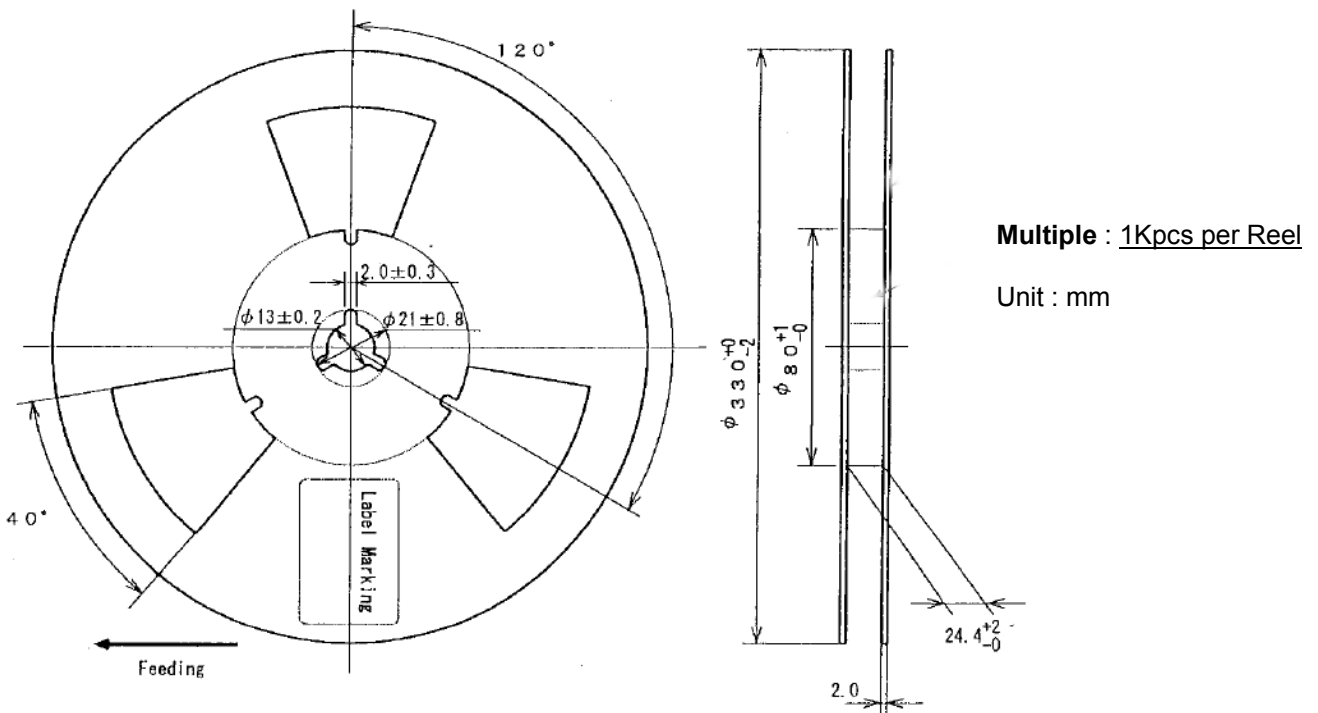
March 16th, 2006

Tape Drawing

www.DataSheet4U.com



Reel Drawing



QEA95 / QEA95V

SMD 9.6x11.4 TCXO / VC-TCXO – Communications equipment applications
 Specification (rev-E)

March 16th, 2006

▣ Suggested Reflow Soldering Profile

