

QSI LASER DIODE SPECIFICATIONS FOR APPROVAL

Customer :

Model : QL63H5S-A/B/C

Tentative

Signature of Approval

Approvaed by _____

Checked by _____

Issued by _____

Approval by Customer



315-9, Cheonheung-ri, Sungger-eup,
Cheonan-city, Chungnam, Korea 330-836

WWW.QSILaser.com

QL63H5S-A/B/C

InGaAlP Laser Diode

Tentative

Quantum Semiconductor International Co., Ltd.

Ver. 3 2006

◆ OVERVIEW

QL63H5S-A/B/C is a MOCVD grown 635nm band *InGaAlP* laser diode with quantum well structure. It's an attractive light source, with a typical light output power of 20mW for optoelectronic devices such as Optical Leveler and Modules.

◆ APPLICATION

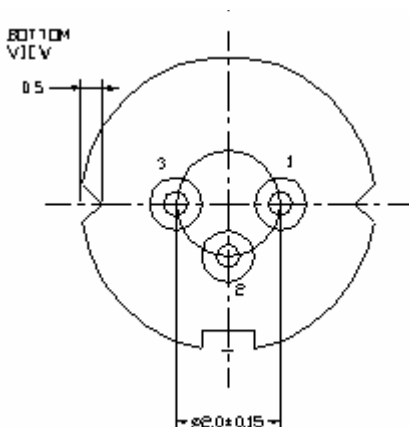
- Bar Code Scanner
- Laser Module

◆ FEATURES

- Visible Light Output : $\lambda_p = 635 \text{ nm}$
- Optical Power Output : 20mW CW
- Package Type : TO-18 (5.6mm ϕ)
- Built-in Photo Diode for Monitoring Laser Diode

◆ ELECTRICAL CONNECTION

Bottom View



Pin Configuration

A	LD cathode, PD anode (Fig. 1)
B	LD , PD anode (Fig. 2)
C	LD anode, PD cathode (Fig. 3)

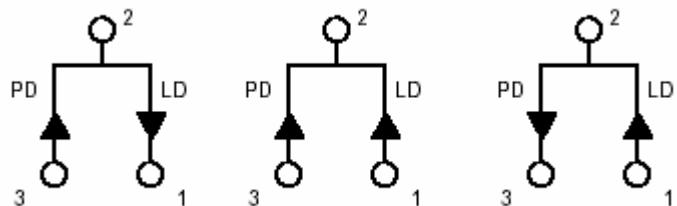


Fig. 1

QL63H5SA

Fig. 2

QL63H5SB

Fig. 3

QL63H5SC

Tentative

◆ ABSOLUTE MAXIMUM RATING at Tc=25°C

Items	Symbols	Values	Unit
Optical Output Power	P	24	mW
Laser Diode Reverse Voltage	V	2	V
Photo Diode Reverse Voltage	V	30	V
Operating Temperature	Topr	-10 ~ +50	°C
Storage Temperature	Tstg	-40 ~ +85	°C

◆ ELECTRICAL and OPTICAL CHARACTERISTICS at Tc=25°C ¹⁾²⁾

Items	Symbols	Min.	Typ.	Max.	Unit	Condition
Optical Output Power	Po	-	20	-	mW	-
Threshold Current	Ith	-	30	50	mA	Po=20mW
Operating Current	Iop	-	60	80	mA	Po=20mW
Operating Voltage	Vop	-	2.3	2.6	V	Po=20mW
Lasing Wavelength	λ_p	630	639	645	nm	Po=20mW
Beam Divergence ³⁾	$\theta_{ }$	6	8	11	deg	Po=20mW
	θ_{\perp}	25	30	35	deg	Po=20mW
Beam Angle	$\Delta\theta_{ }$	-	-	±2.0	deg	Po=20mW
	$\Delta\theta_{\perp}$	-	-	±3.0	deg	Po=20mW
Monitor Current	Im	0.05	0.25	0.7	mA	Po=20mW
Optical Distance	$\Delta X, \Delta Y, \Delta Z$	-	-	±60	μm	-

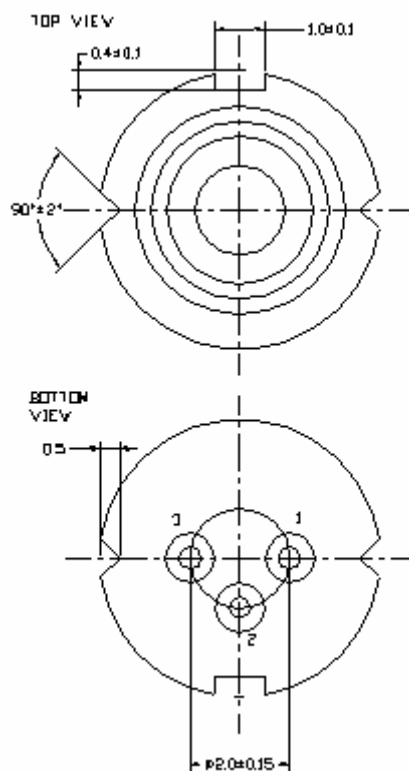
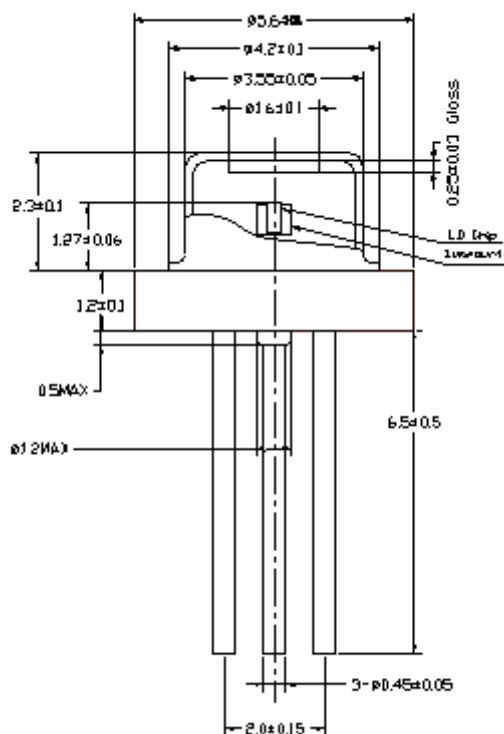
1) Initial values 2) All above values are evaluated with QSI's measuring apparatus

3) Full angle at half maximum

NOTICE : QL63H5S-A/B/C to be operated on APC

The above product specifications are subject to change without notice.

◆ PACKAGE DIMENSION



◆PACKING

