

PREPARED BY: _____ DATE _____	<b>SHARP</b> ELECTRONIC COMPONENTS AND DEVICES GROUP SHARP CORPORATION  <b>SPECIFICATION</b> <div style="border: 1px solid black; padding: 5px; display: inline-block;">REFERENCE</div>	SPEC NO. NW-D004
CHECKED BY: _____ DATE _____		ISSUE April. 9, 2015
APPROVED BY: _____ DATE _____		FILE NO. _____
		PAGE 1/27
		REPRESENTATIVE DIVISION  SYSTEM DEVICE UNIT

DEVICE SPECIFICATION FOR  
**Relative Humidity & Temperature Sensor**

MODEL No. **QM1H0P0073**

CUSTOMER'S APPROVAL

DATE \_\_\_\_\_

BY \_\_\_\_\_

PRESENTED  
BY

\_\_\_\_\_

Hiroaki Fujino

UNIT DEPUTY GENERAL MANAGER  
& DEPARTMENT GENERAL MANAGER

DEVELOPMENT DEPT.V  
SYSTEM DEVICE UNIT  
ELECTRONIC COMPONENTS AND DEVICES  
DIVISION

RECORD OF REVISION

DOC. FIRST ISSUE  
2014/06/19

IDENT. DATA No.

DATE	REF.PAGE PARAGRAPH DRAWING No.	REVISED NO.	SUMMARY	CHECK & APPROVAL
June 19, 2014	-	-	Initial release	
August 8, 2014	p.8  p.9  p.16 p.19  p.21-25  p.26  p.27	A	- Modified storage temperature of "Absolute Maximum Ratings" - Updated max. value and graph of relative humidity sensor accuracy - Modified rehydration conditions after soldering - Modified rehydration procedure on "Exposure to extreme environment" - Updated Section12 "Tape and Reel Specifications" - Modified "Recommended storage conditions after opening" - Added Section14 "Compliance with regulations on chemical substances"	
September 18, 2014	p.9		- Corrected conditions of relative humidity sensor accuracy	
December 12, 2014	p.17 p.19 p.22-24	B	- Modified Common difference - Modified Baking time - Modified <b>Reel &amp; Packing Forms</b>	

## ■ Important Notices

- These specification sheets include materials protected under copyright of Sharp Corporation ("Sharp"). Please do not reproduce or cause anyone to reproduce them without Sharp's consent.
- When using this product, please observe the absolute maximum ratings and the instructions for use outlined in these specification sheets, as well as the precautions mentioned below. Sharp assumes no responsibility for any damage resulting from use of the product which does not comply with the absolute maximum ratings and the instructions included in these specification sheets, and the precautions mentioned below.

### (Precautions)

1. Please do verify the validity of this part after assembling it in customer's products, when customer wants to make catalogue and instruction manual based on the specification sheet of this part.
  2. This product is designed for use in the following application areas ;
    - Personal computers                      · Office automation equipment
    - Telecommunication equipment(Terminal)                      · Test and measurement equipment
    - Industrial control                      · Audio visual equipment                      · Consumer electronicsIf the use of the product in the above application areas is for equipment listed in paragraphs 3 or 4, please be sure to observe the precautions given in those respective paragraphs.
  3. Appropriate measures, such as fail-safe design and redundant design considering the safety design of the overall system and equipment, should be taken to ensure reliability and safety when this product is used for equipment which demands high reliability and safety in function and precision, such as ;
    - Transportation control and safety equipment (aircraft, train, automobile etc.)
    - Traffic signals                      · Gas leakage sensor breakers                      · Rescue and security equipment
    - Other safety equipment
  4. Please do not use this product for equipment which require extremely high reliability and safety in function and precision, such as ;
    - Space equipment                      · Telecommunication equipment (for trunk lines)
    - Nuclear power control equipment                      · Medical equipment
  5. Please contact and consult with a Sharp sales representative if there are any questions regarding interpretation of the above four paragraphs.
- Please contact and consult with a Sharp sales representative for any questions about this product.

## Contents

1. Description .....	5
2. Block Diagram .....	6
3. Pin Configuration.....	7
4. Electrical Characteristics .....	8
5. Operation .....	11
6. Application Circuit Example.....	14
7. Soldering Conditions .....	15
8. Package Outline.....	17
9. PCB Land Pattern .....	18
10. Marking .....	18
11. Precaution for use .....	19
12. Tape and Reel Specifications .....	21
13. Storage Conditions .....	26
14. Compliance with Regulations on chemical substances .....	27

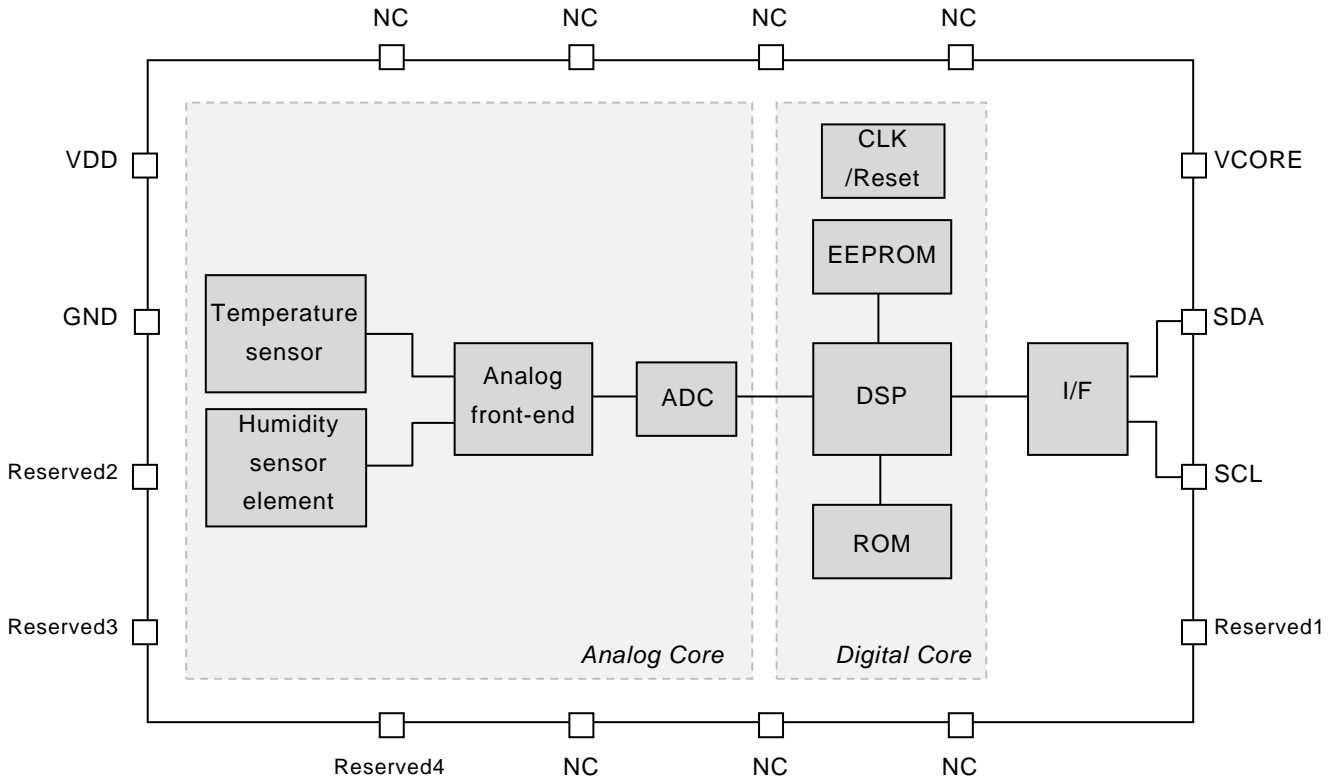
## 1. Description

**QM1H0P0073** is a digital output relative humidity/temperature sensor. In addition to electrostatic capacitance type humidity sensor and temperature sensor elements, an analog-to-digital converter, signal processing unit, data storage for calibration data, and an interface circuit are integrated into 1 package. The device features wide operating range, small in size, high resolution and high response speed, and is suitable for use in a wide range of applications. Both the temperature and humidity sensors are factory-calibrated and no any further calibration is required after installing on electronic equipments.

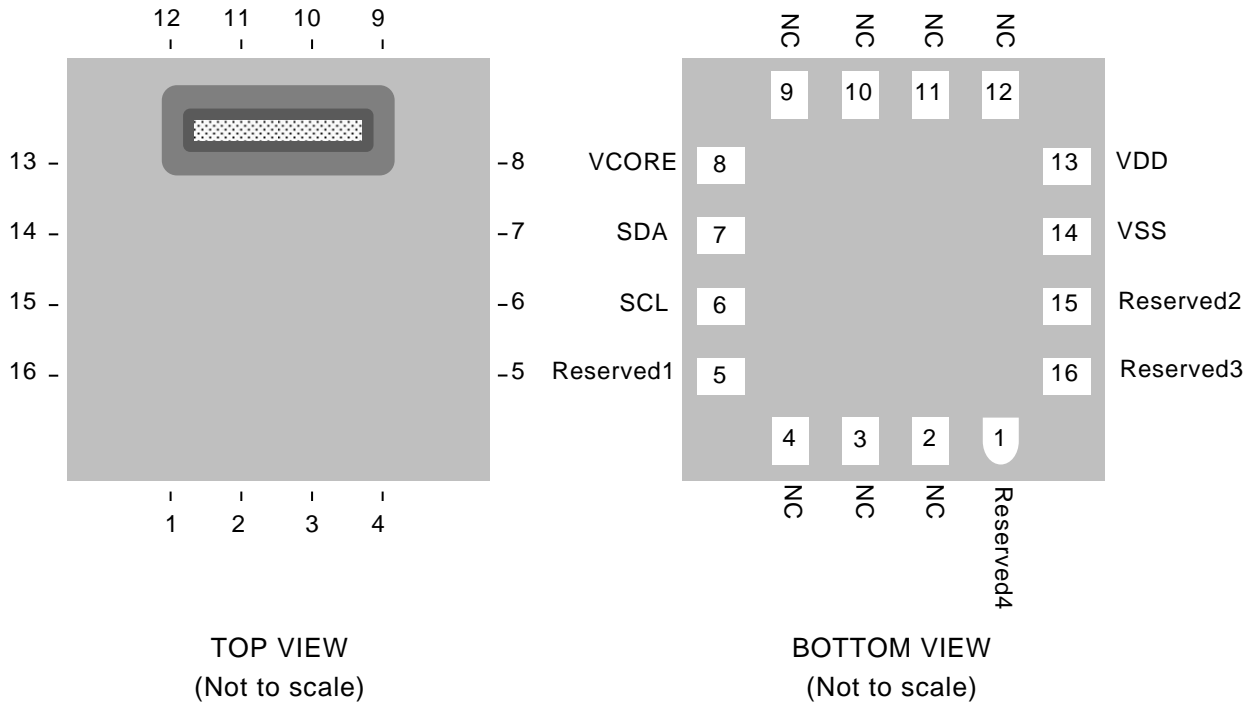
### ■ Features

- High precision
  - Relative humidity:  $\pm 2\%$ RH (typ.)
  - Temperature:  $\pm 0.3^{\circ}\text{C}$  (typ.)
- Wide operating range
  - Relative humidity: 0 to 100%RH
  - Temperature:  $-20$  to  $85^{\circ}\text{C}$
  - Operating voltage: 2.7 to 5.5V
- Low power consumption
  - 3.0uA (max) non-operation current
- I<sup>2</sup>C digital interface
- Small, Low profile QFN 16pin package
  - footprint: 3mm x 3mm
  - Industry-leading levels of height: 0.8mm
- Factory calibrated
- RoHS Compliant

## 2. Block Diagram



### 3. Pin Configuration



Pin	Pin Name	Type	Function	Remarks
1	Reserved4	-	Test Terminal	Leave Open
2	NC	-	Not Connected	Leave Open
3	NC	-	Not Connected	Leave Open
4	NC	-	Not Connected	Leave Open
5	Reserved1	-	Test Terminal	Leave Open
6	SCL	I	I <sup>2</sup> C Serial Clock	-
7	SDA	I/O	I <sup>2</sup> C Serial Data	-
8	VCORE	Power	Core voltage: Decoupling input for internal circuitry.	Always connect to an external capacitor(0.1uF) to GND.
9	NC	-	Not Connected	Leave Open
10	NC	-	Not Connected	Leave Open
11	NC	-	Not Connected	Leave Open
12	NC	-	Not Connected	Leave Open
13	VDD	Power	Power Supply	-
14	VSS	Power	GND	-
15	Reserved2	-	Test Terminal	Leave Open
16	Reserved3	-	Test Terminal	Leave Open

## 4. Electrical Characteristics

### Absolute Maximum Ratings

Parameter	Symbol	Ratings	Unit	Remarks
VDD to GND	-	-0.3 to 6.0	V	
SDA/SCL to GND	-	-0.3 to VDD+0.3	V	
Storage Temperature	-	-40 to 140	°C	

Note that operation of the device at these conditions is not implied and may affect the performance, reliability or life of the device.



This product is ESD sensitive. In order to prevent deterioration or damage due to ESD, this product must be protected against static electricity at all times.

### Recommended Operating Conditions

Parameter	Symbol	Min	Typ.	Max	Unit	Remarks
Power Supply	VDD	2.7		5.5	V	
Ambient Temperature	T <sub>A</sub>	-20		85	°C	
I <sup>2</sup> C Pull-Up Register	R <sub>P</sub>	1	2.2		kΩ	
External Capacitance between V <sub>CORE</sub> and GND	C <sub>V<sub>CORE</sub></sub>	0.09	0.1	0.33	μF	Must be connected between V <sub>CORE</sub> and GND

### DC Electrical Characteristics

(Conditions at V<sub>DD</sub>=3V or 5V, T<sub>A</sub>=25°C unless otherwise noted.)

Parameter	Symbol	Conditions	Min.	Typ.	Max.	Unit
Operation Current	I <sub>DD</sub>		-	750	1,100	μA
Non-operation Current	I <sub>NOF</sub>	-20 to 85°C	-	1	3	μA
Power-on-Reset Level	V <sub>POR</sub>		1.6	1.7	1.75	V
Output Low Voltage	V <sub>OL</sub>		-	-	0.2	V <sub>DD</sub>
Output Current	I <sub>OL</sub>		1.5	-	-	mA
Input Low Voltage	V <sub>IL</sub>		-	-	0.2	V <sub>DD</sub>
Input High Voltage	V <sub>IH</sub>		0.8	-	-	V <sub>DD</sub>
Input Current	I <sub>IL</sub>				10	μA



## Relative Humidity Sensor

(Conditions at  $V_{DD}=3V$ ,  $T_A=25^{\circ}C$  unless otherwise noted.)

Parameter	Symbol	Conditions	Min.	Typ.	Max.	Unit
Accuracy <sup>1,2</sup>		30 to 80%RH	-	±2	±5	%RH
		0 to 100%RH	See figure "Relative humidity sensor accuracy" below			%RH
Resolution			-	0.1	-	%RH
Hysteresis			-	±1	-	%RH
Repeatability			-	0.1	-	%RH
Response Time <sup>3</sup>		1m/s air flow	-	7	-	sec
Operating Range <sup>4</sup>			0	-	100	%RH

### Notes

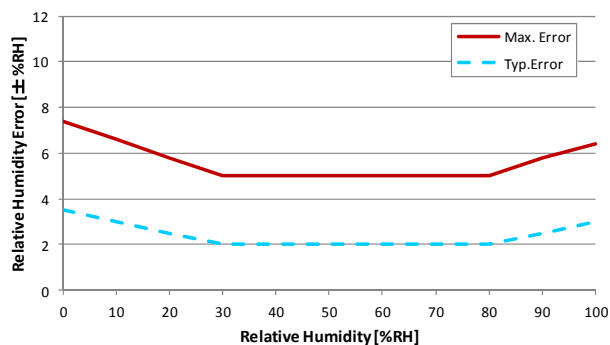
- 1: Applicable to non-condensing environments only. Excludes hysteresis and certain other factors.
- 2: Recommended humidity operating range is 20 to 80%RH (non-condensing) over 0 to 60°C.  
Prolonged operation beyond these ranges may result in a shift of sensor reading.
- 3: Time to reach 63% of a step change.
- 4: Applicable to non-condensing environments only.

## Temperature Sensor

(Conditions at  $V_{DD}=3V$ ,  $T_A=25^{\circ}C$  unless otherwise noted.)

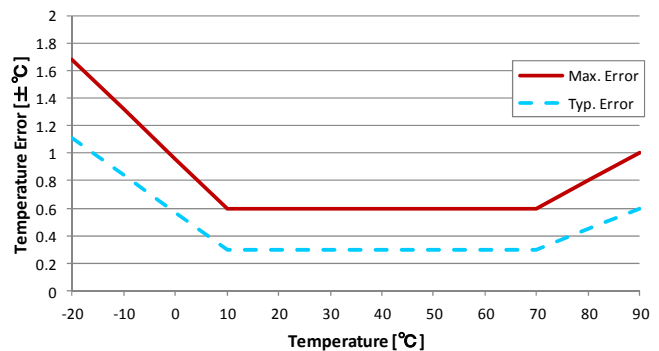
Parameter	Symbol	Conditions	Min.	Typ.	Max.	Unit
Accuracy		Typical at 25°C	-	±0.3	±0.6	°C
		-20 to 85°C	See figure "Temperature sensor accuracy" below			°C
Resolution			-	0.015	-	°C
Repeatability			-	0.1	-	°C
Operating Range			-20	-	85	°C

**Relative Humidity Accuracy**



[ Relative humidity sensor accuracy (  $T_A=25^{\circ}C$  ) ]

**Temperature Accuracy**



[ Temperature sensor accuracy ]

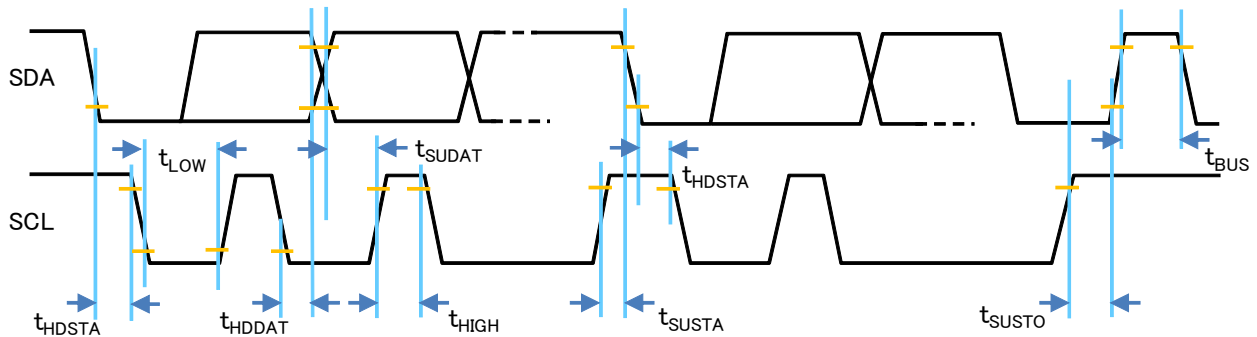
## AC Characteristics

Parameter	Symbol	Min	Typ	Max	Unit
SCL clock Frequency	$f_{SCL}$	100	-	400	kHz
Start Condition hold time relative to SCL edge	$t_{HDSTA}$	0.1	-	-	$\mu s$
Minimum SCL clock low width	$t_{LOW}$	0.6	-	-	$\mu s$
Minimum SCL clock high width	$t_{HIGH}$	0.6	-	-	$\mu s$
Start condition setup time relative to SCL edge	$t_{SUSTA}$	0.1	-	-	$\mu s$
Data hold time on SDA relative to SCL edge	$t_{HDDAT}$	0	-	0.5	$\mu s$
Data setup time on SDA relative to SCL edge	$t_{SUDAT}$	0.1	-	-	$\mu s$
Stop condition setup time on SCL	$t_{SUSTO}$	0.1	-	-	$\mu s$
Bus free time between stop condition and start condition	$t_{BUS}$	1	-	-	$\mu s$

Note)

For more information on I<sup>2</sup>C specification, please refer to the following Website:

[http://www.nxp.com/documents/other/UM10204\\_v5.pdf](http://www.nxp.com/documents/other/UM10204_v5.pdf)



I<sup>2</sup>C Timing Diagram

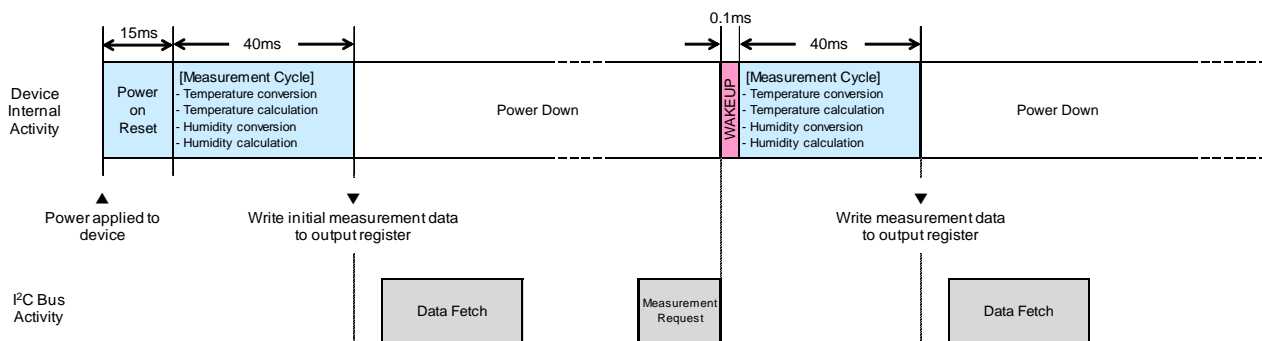
## 5. Operation

### I<sup>2</sup>C Interface

This product communicates with I<sup>2</sup>C-compatible protocol with support for 100kHz and 400kHz bit rates. All sensors are set to the same I<sup>2</sup>C slave address (28H).

Note) For more information on I<sup>2</sup>C specification, please refer to the following Website:  
[http://www.nxp.com/documents/other/UM10204\\_v5.pdf](http://www.nxp.com/documents/other/UM10204_v5.pdf)

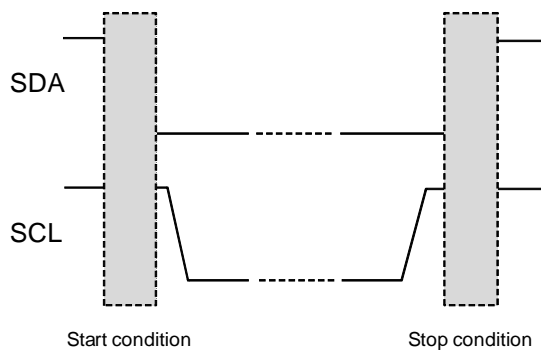
The overview of the measurement sequence is as follows:



[ I<sup>2</sup>C Measurement Sequence ]

I<sup>2</sup>C-BUS is a bi-directional 2-wire serial bus, consists of serial data line (SDA) and serial data clock (SCL). When the bus is free, both SDA and SCL are HIGH.

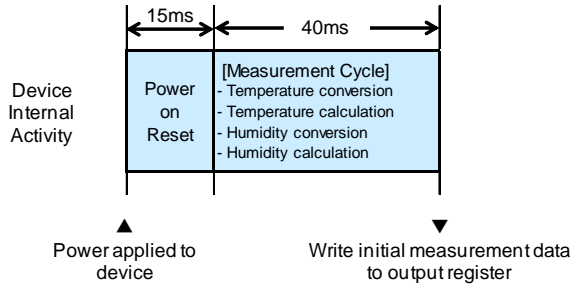
Each communication sequence begins with a Start Condition, and ends with a Stop Condition. A Start Condition is defined as a HIGH to LOW transition on the SDA line while SCL is HIGH. A Stop Condition is defined as a LOW to HIGH transition on the SDA line while SCL is HIGH. Between the Start and Stop conditions, the data on the SDA can change when SCL is LOW and the data is fetched during SCL is HIGH. Each data bit is transferred by one clock pulse of SCL.



[ I<sup>2</sup>C Start/Stop Condition ]

## Startup

Through the system power-on reset (POR) after power-up, the sensor will perform an initial measurement cycle. This initial measurement data is written to the output register. The sensor needs at most 55ms to be ready for fetching data. SCL keeps HIGH during this period.



[ Power-On sequence ]

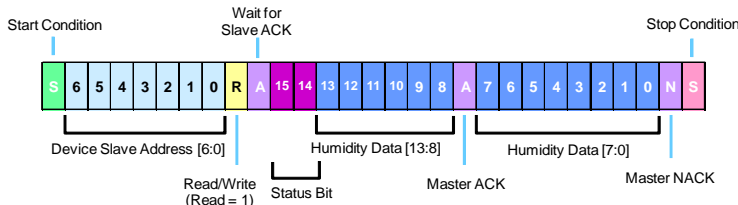
## Data Fetch

The Data Fetch (DF) command is used to fetch humidity and temperature measurement data from the output register. The master issues a Start Condition, followed by the 7-bit slave address 28H ('010'1000') and the 8th bit=1 (Read). The sensor sends an acknowledge (ACK) when receiving the command from the master properly. The 14 bits of humidity data are fetched in the first two bytes. The higher 2 bits of the first byte are the status bits. After the humidity data, the 14 bits of temperature data can be fetched. The last two bits of the fourth byte are undetermined and should be masked off in the application.

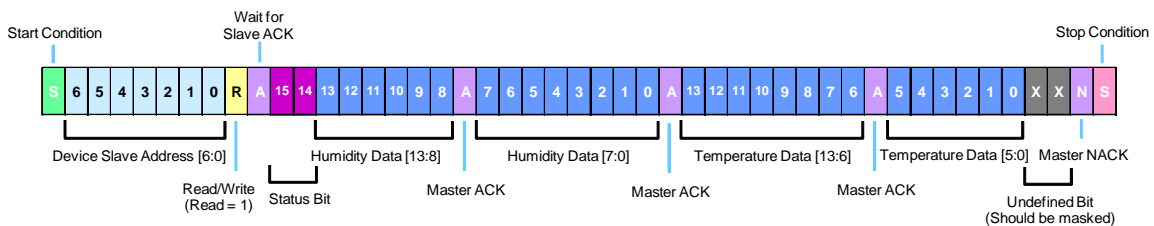
[ I<sup>2</sup>C slave address ]

A6	A5	A4	A3	A2	A1	A0
0	1	0	1	0	0	0

### ■ I<sup>2</sup>C Data Fetch - 2 Bytes: Slave returns only 2 humidity data bytes to master



### ■ I<sup>2</sup>C Data Fetch - 4 Bytes: Slave returns 2 humidity data bytes & 2 temperature data bytes to master

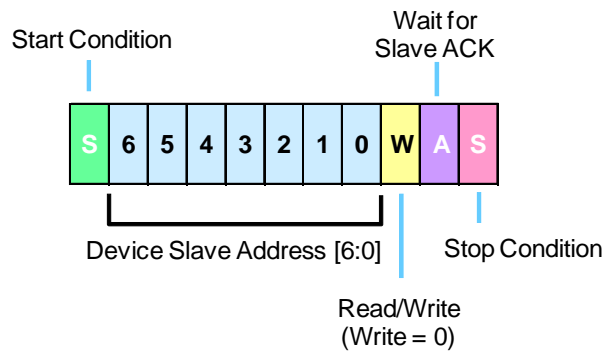


[ I<sup>2</sup>C Data Fetch Command ]

## Measurement Request

After the measurement cycle, the sensor goes to power down to suppress power consumption. To wake up the part from power down and start a new measurement cycle, the master sends an MR (Measurement Request) command. The master issues a Start Condition, followed by the 7-bit slave address 28H('010'1000') and the 8th bit=0(Write). When receiving the command from the master properly, the sensor sends an acknowledge (ACK) by lowering SDA automatically. Then the master sends a Stop Condition. When a MR is received properly, the part wakes up with a small period and then a new measurement cycle is performed.

Another MR can be sent to start a new measurement cycle without fetching the previous data.



[ I<sup>2</sup>C Measurement Request: slave starts a measurement cycle ]

## Output Data Conversion

### [Relative Humidity Conversion]

The Humidity Data bytes (14 bits raw value) can be converted to %RH using the following equation:

$$\text{Relative Humidity}[\%RH] = \frac{\text{Humidity Data}[13:0]}{2^{14}} \times 100$$

### [Temperature Conversion]

The Temperature Data bytes (14 bits raw value) can be converted to °C using the following equation:


$$\text{Temperature}[^{\circ}C] = \frac{\text{Temperature Data}[13:0]}{2^{14}} \times 165 - 40$$


## 6. Application Circuit Example

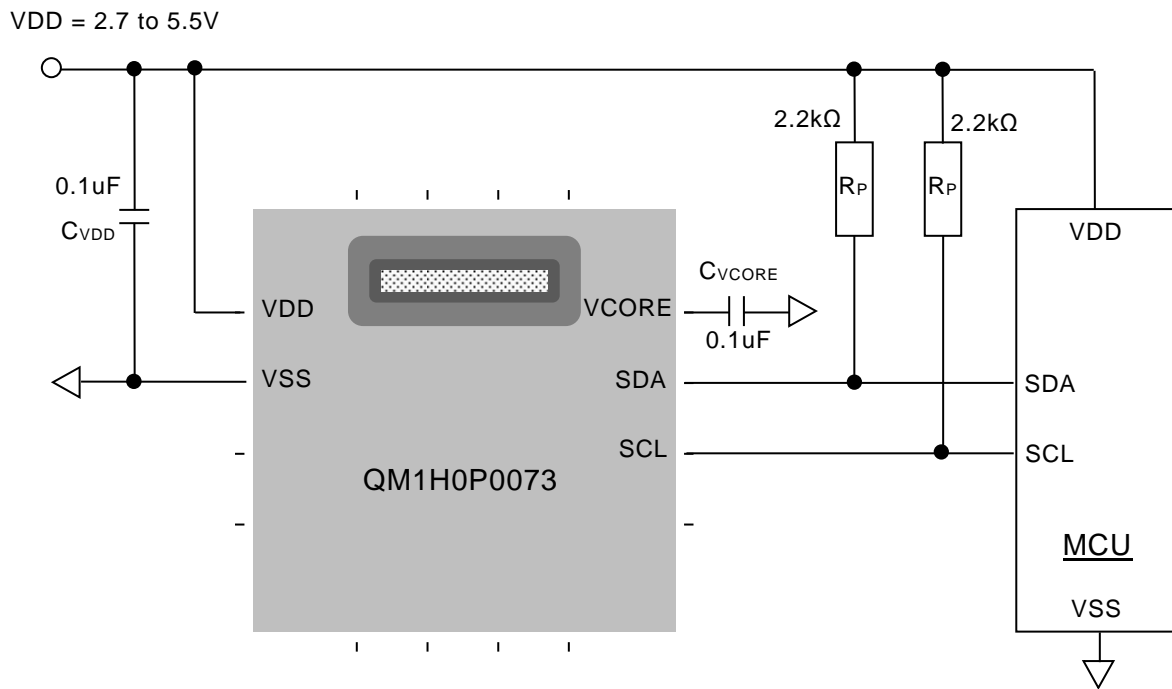
The following shows the application circuit example.

Both SDA and SCL are connected to VDD via pull-up resistors  $R_P$ . When the bus is free, both lines are HIGH.

The values of the pull-up resistors are determined in consideration of the capacitance of the I<sup>2</sup>C bus lines. Note that I<sup>2</sup>C pull-up resistors may be integrated in I/O of MCUs.

 Be sure to connect  $C_{V_{CORE}}$  with appropriate value between V<sub>CORE</sub> terminal and GND. If  $C_{V_{CORE}}$  is not connected, or if the value is not appropriate, it may affect the measurement accuracy of temperature and relative humidity.

 In order to stably operate this product,  $C_{V_{DD}}$  and  $C_{V_{CORE}}$  should be as close to this device as possible.



## 7. Soldering Conditions

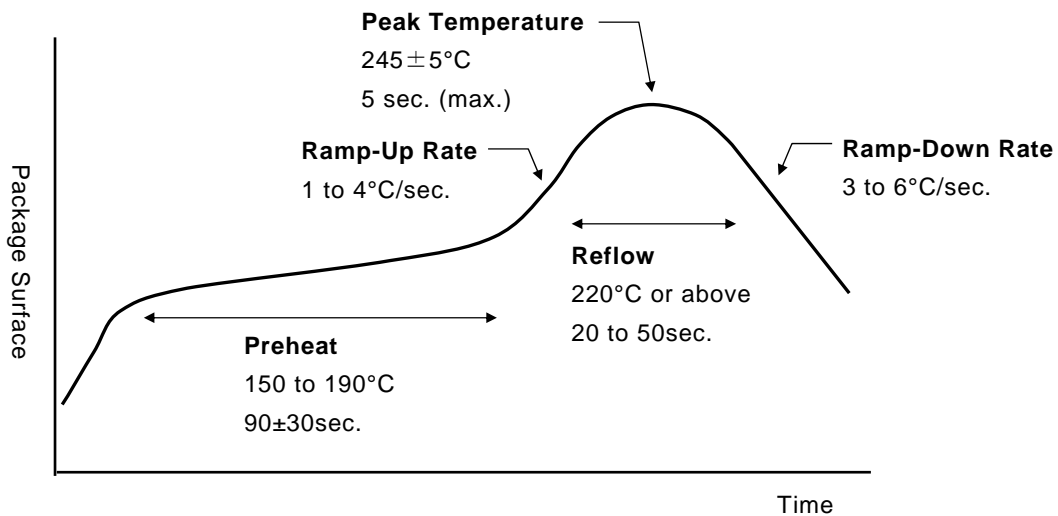
### Soldering methods and suitability of this product

Soldering methods	Reflow soldering	Flow(dip, wave) soldering	Hand soldering by soldering iron	Hot plate Soldering
Suitability	○	✕ Not suitable for this product	✕ Not suitable for this product	○

### Reflow Soldering

The following conditions are recommended for reflow soldering this product by lead-free solder.

Parameter	Recommended Condition
Type of process	Convection or IR/Convection reflow
Atmosphere	Air or Nitrogen
Number of reflow cycle	⚠ 1time only



Reflow Profile for Lead-free

### Hot Plate Soldering

Recommended hot plate soldering conditions is as follows :

Parameter	Recommended Condition
PCB surface temperature	< 250°C
Soldering time	< 5 sec.

**Rework**

Hot air reworking is not recommended as the hot air may cause irreversible damage for humidity sensor elements.



Removed device should not be reused because of the possibility of thermal and mechanical damage in rework.

**Notice of soldering**

Only one reflow process is allowed for this product. In case the PCB passes through multiple solder cycles, it is strongly recommended to assemble this product only in the last solder cycle.

- Ensure good ventilation in assembly lines. If any volatile gas exists, it may cause damage to this product.
- If possible, it is recommended to mount this product after all materials that are used in the assembly process have completely cured or dried out.
- After soldering, the devices may read a slight offset. In this case, the rehydration process under the following conditions may eliminate the offset.

Rehydration conditions: Store the devices at 85°C/85%RH for 2 hours

Note: Be sure to observe the storing time (2 hours)

- Keep the opening of humidity sensors clean and undamaged.
- Do not wash the PCB after reflow soldering or hand soldering. It may affect the accuracy of humidity sensors. "No clean" type solder paste is strongly recommended.
- Contamination of the humidity sensor element by flux shall be avoided. Liquid flux is not recommended.

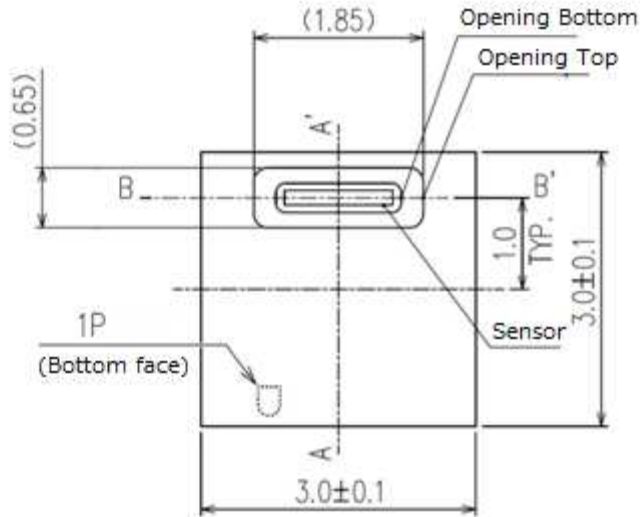


### 8. Package Outline

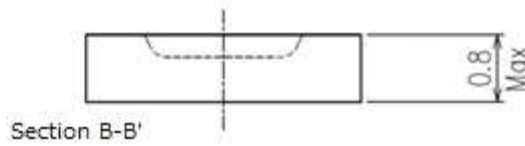
All dimensions in units of [mm]

**CONFIDENTIAL**

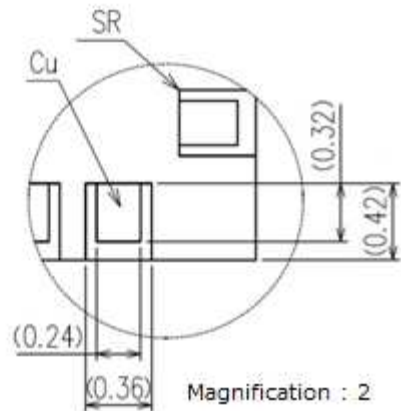
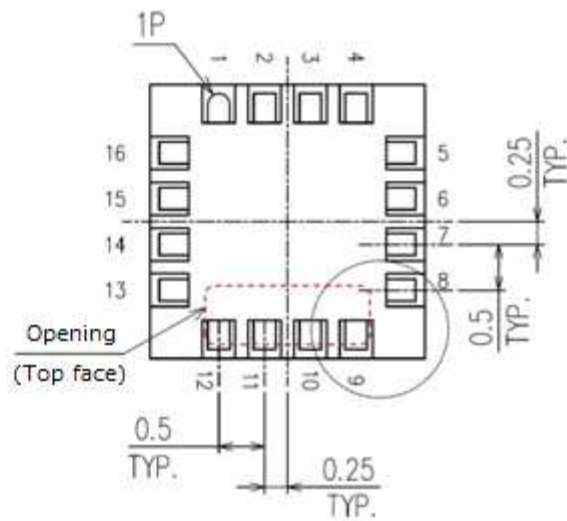
#### TOP VIEW



#### SIDE VIEW



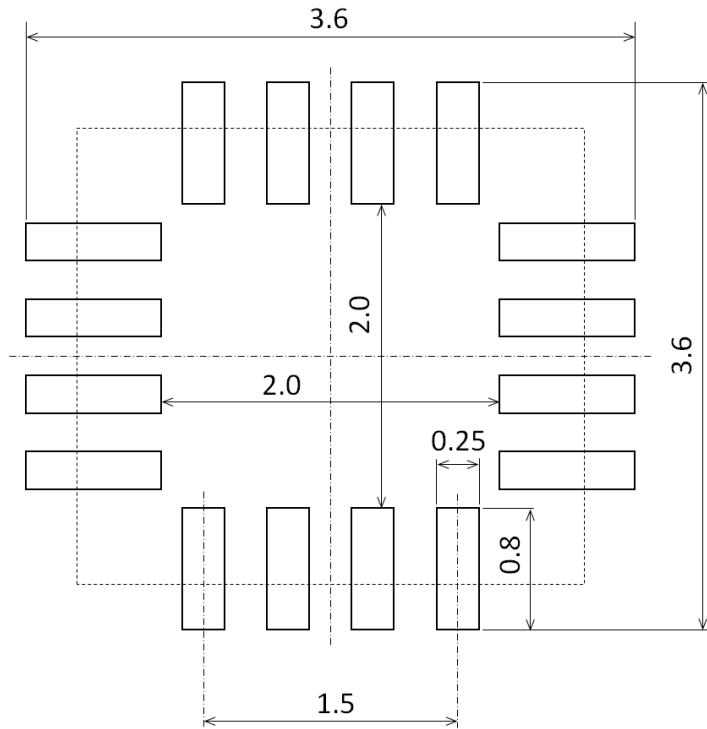
#### BOTTOM VIEW



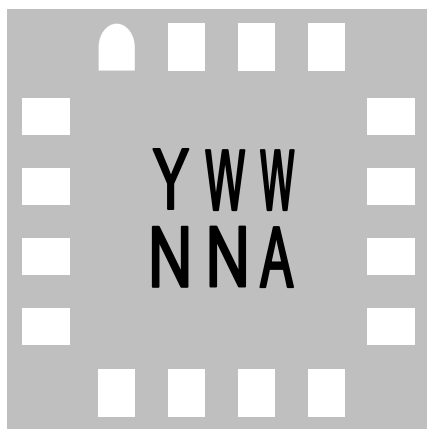
Product mass :  $0.013 \pm 0.005$ g

### 9. PCB Land Pattern

All dimensions in units of [mm]



### 10. Marking



BOTTOM VIEW  
(Not to scale)

Symbol	Name	Remarks
Y	Last one digit of the year	1 digit number Y="0" to "9"
WW	Week	2 digit number WW="00" to "53"
NN	Assembly lot	2 digit number NN="00" to "99"
A	Product name	1 alphabetic digit A="1" : QM1H0P0073

## 11. Precaution for Use

### Effect of temperature

Since the relative humidity strongly depends on temperature, be careful of the following points:

- Keep the temperature of humidity sensors same as temperature of the air which is measurement subject of relative humidity.
- If this product is mounted close to the heating component, it should be considered to prevent heat transfer or to keep it as low as possible.

### Exposure to chemicals

Exposure to the following chemicals may cause irreversible effects. Avoid exposure to such chemicals and provide sufficient ventilation.

- Volatile chemicals

Example: Acetone, Ethanol, Isopropyl Alcohol, Toluene, etc.

These volatile chemicals also exist in epoxy compounds, adhesives, adhesive tapes, etc, and may be emitted as outgas component.

- Acids and bases

Example: HCl, H<sub>2</sub>SO<sub>4</sub>, HNO<sub>3</sub>, NH<sub>3</sub>, etc.

- High concentration Ozone or H<sub>2</sub>O<sub>2</sub>

- Cleaning agents

Example: Alcohol, detergents, brominated/fluorinated solvents, etc

Do not apply PCB board wash after soldering.

### Exposure to extreme environment

Prolonged exposure to very low/high humidity environment may cause gradual shifts of the relative humidity reading and errors may increase. In order to eliminate these errors, the following procedure is useful.

[ In case of very low humidity ]

The performance of the humidity sensor can be recovered after a few days under typical ambient conditions(40 - 60%RH).

[ In case of very high humidity ]

Compared with exposure to very low humidity, recovery of sensor performance may be slower. In this case, the following bake and rehydration procedure can accelerate recovery.

Baking: 140°C for 48 hours

Rehydration: 27°C/75%RH for 24 hours

Following this procedure, the performance of the humidity sensor will recover after a few days under typical ambient conditions.

Note that the sensor read value may drift due to aging of the device for a long period of time. Specifications of relative humidity sensor accuracy do not include the effect of aging, contamination and exposure to extreme environment conditions.

**Packing material**

Because both sensors as a part and sensors mounted on the final product need to avoid contamination by outgas emitted from packing materials, careful attention must be paid in the selection of the packaging materials.

- Avoid using adhesives, adhesive tapes and stickers as much as possible.
- Do not use antistatic polyethylene bags.
- Be very careful to use foamed plastics.

**Hygroscopic material**

Since hot melts may absorb moisture and affect the response time of the relative humidity sensor, using hot melt sparingly is recommended.

**Protection of the sensor opening**

Avoid adhering contaminants (e.g. liquids (especially salt water), solvents, fats, dust, etc.) so as not to affect sensor performance. Care must also be taken to the following points for protection of the sensor opening.

- Do not cover the sensor opening by any adhesive tapes (e.g. Scotch Tape, Sellotape, etc.) which may affect sensor performance by outgas.
- Avoid covering the sensor opening with coatings.
- Do not directly touch the sensor opening.

**Others**

- This product is NOT intended for use in the following special environments, such as:
  - Use in liquids such as water, oil, chemical, and organic solvent.
  - Use under direct sunlight, in outdoor, heat and dusty atmospheres.
  - Use in places full of corrosive gases such as sea breeze, SO<sub>2</sub>, H<sub>2</sub>S, Cl<sub>2</sub>, NH<sub>3</sub>, acid, and alkali.
  - Use in environment with strong electromagnetic waves or large static electricity.
  - Use in such a place where the product is condensation or freezing.
- This product is not designed to be radiation-resistant.

## 12. Tape and Reel Specifications

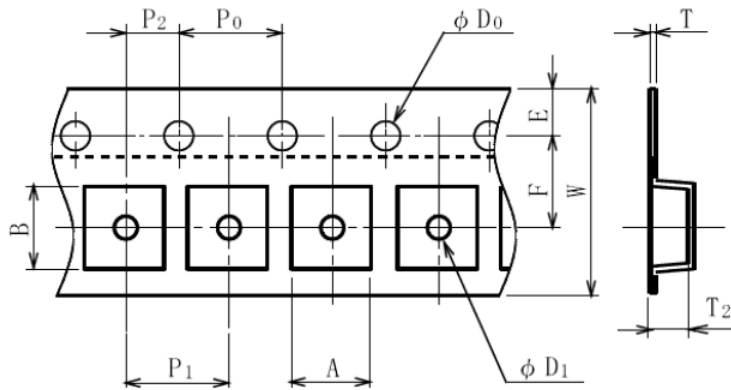
### Packing unit

Item	Packing unit	Packing parts	Remarks
Emboss tape	1,500pcs	Emboss carrier tape	-
		Reel	-
		Cover tape	-
		Label	Printed with a logotype
Inner packing case	1reel (1,500pcs)	Inner packing case	Plain
		Aluminum laminated bag	Plain
		Label	Printed with a logotype
Outer packing case	5reels (7,500pcs)	Outer packing case	Printed with a logotype
		Label	Printed with a logotype

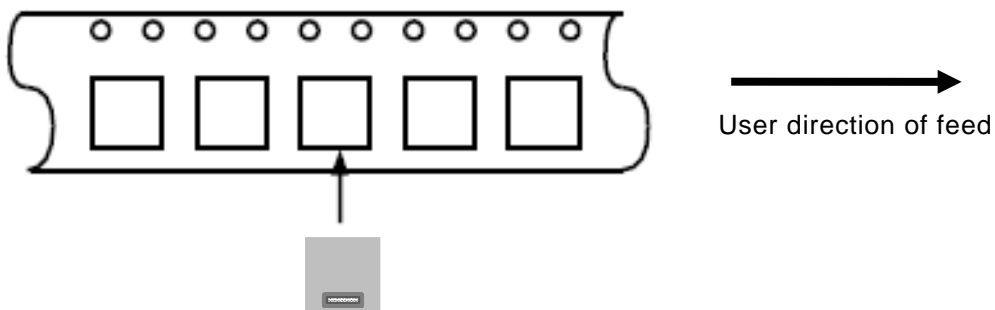
### Tape structure and dimensions

Index	Dimensions
A	3.3±0.1
B	3.3±0.1
D0	φ1.5 +0.1/-0
D1	φ1.5 +0.1/-0
E	1.75±0.1
F	5.5±0.05
P0	4.0±0.1
P1	8.0±0.1
P2	2.0±0.05
T	0.3±0.05
T2	0.9±0.05
W	12.0 +0.3/-0.1

All dimensions in units of [mm]



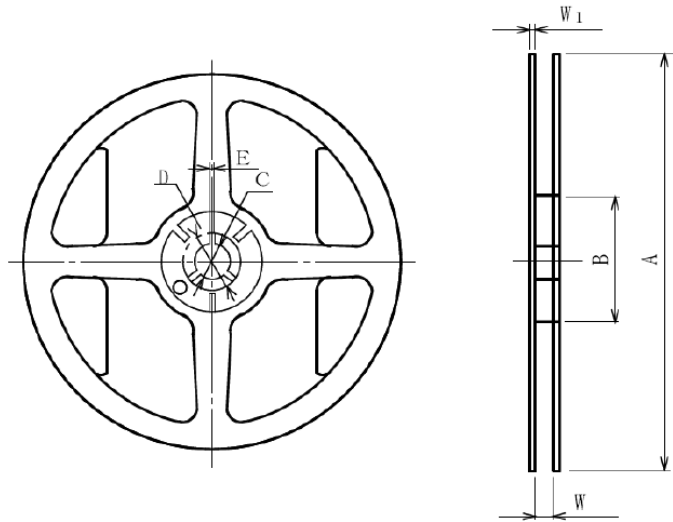
### 1pin orientation in tape



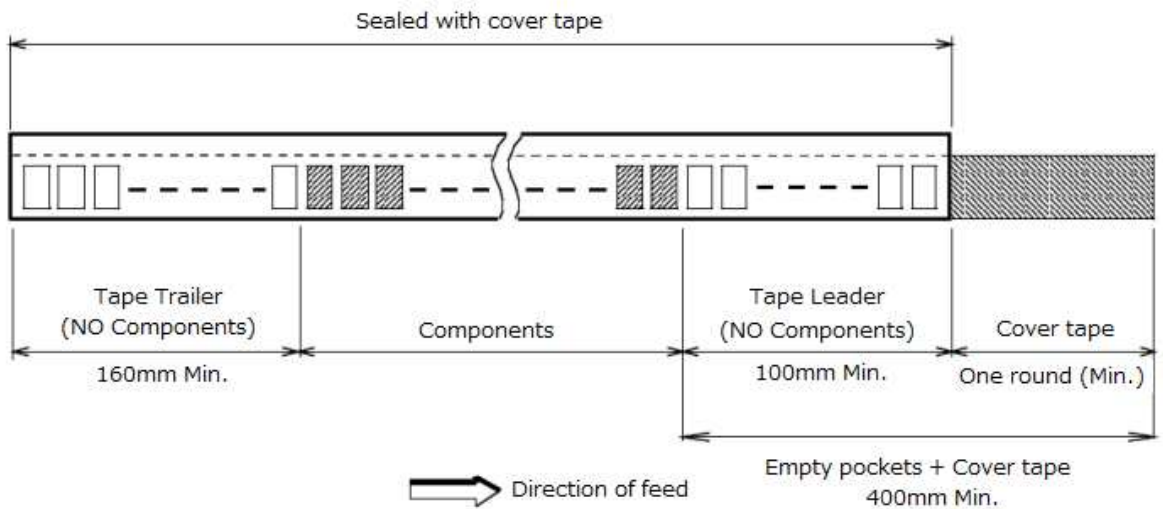
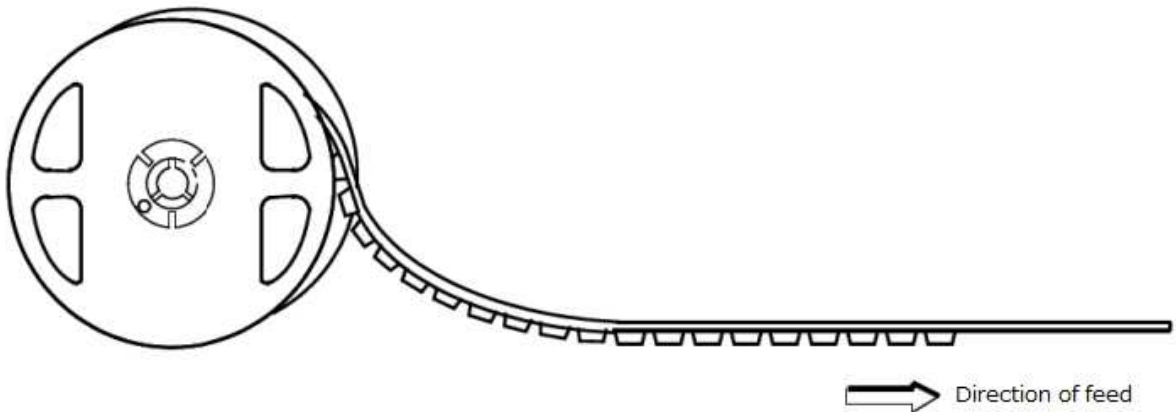
## Reel structure and dimensions

Index	Dimensions
A	$\phi 180 +0/-3$
B	$\phi 60 +1/-0$
C	$\phi 13 \pm 0.3$
D	$\phi 21 \pm 0.8$
E	$2.0 \pm 0.5$
W	$13.0 \pm 0.3$
W1	1.5

All dimensions in units of [mm]



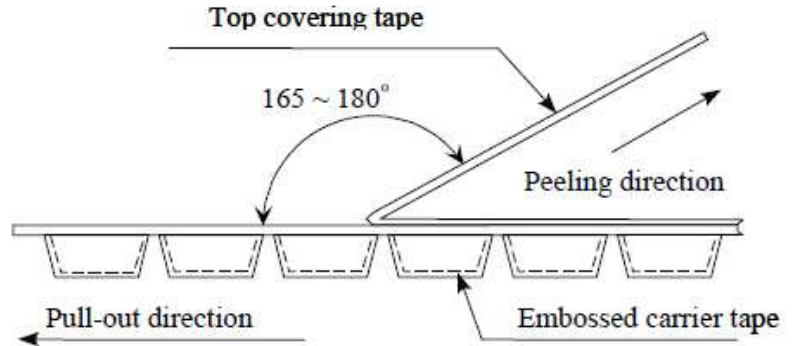
## Tape Leader/Trailer Specification



## Peeling strength of the top covering tape

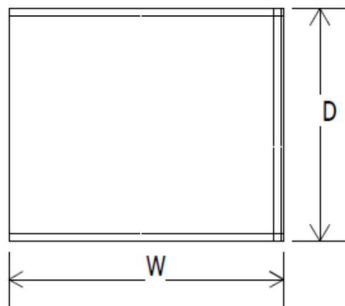
Peeling strength meets the following conditions.

- Peeling angle : 165~180°
- Peeling speed : 300mm/min
- Peeling strength : 0.2~0.7N



## Packing Forms

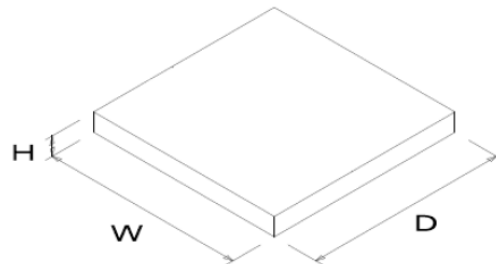
### Aluminum laminated bag



Index	Dimensions
W	260
D	260

Values in [mm]

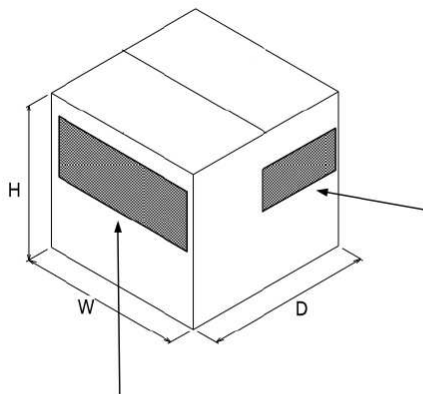
### Inner packing case



Index	Dimensions
W	268
D	262
H	30

Values in [mm]

### Outer packing case



Index	Dimensions
W	291
D	281
H	185

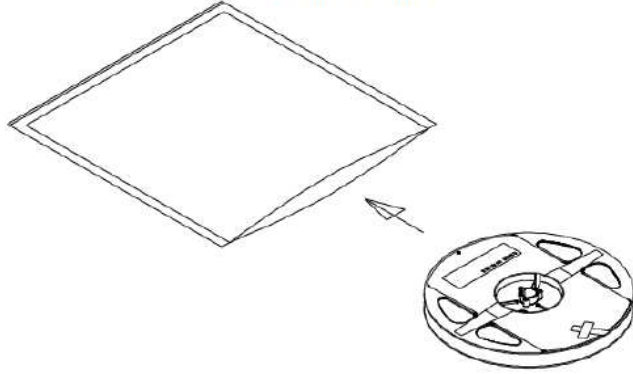
Values in [mm]



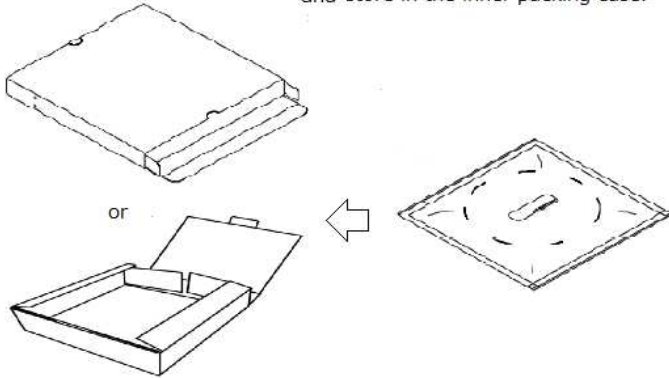
※Printing also exists on the opposite surface.

### Store in inner packing case

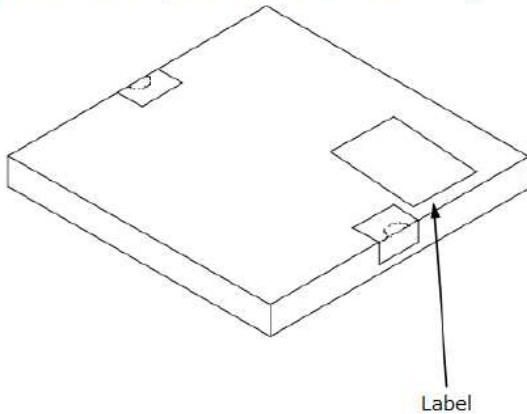
Put a reel into a heat-sealed aluminum laminated bag.



Attach the label on the aluminum laminated bag  
and store in the inner packing case.

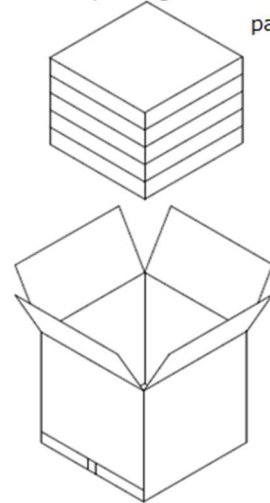


Attach the label in place and seal with adhesive tape of Japanese paper.

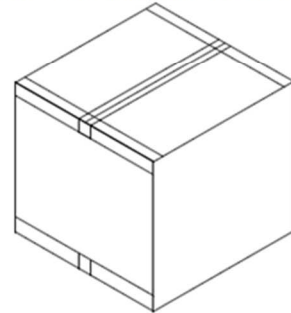


### Store in outer packing case

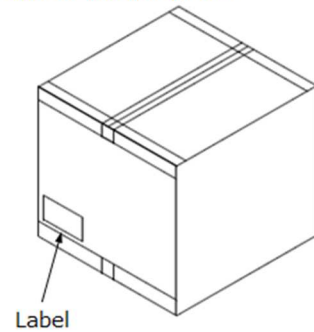
Store 5 inner packing cases in one outer  
packing case.



Seal the outer packing case with OPP tape.

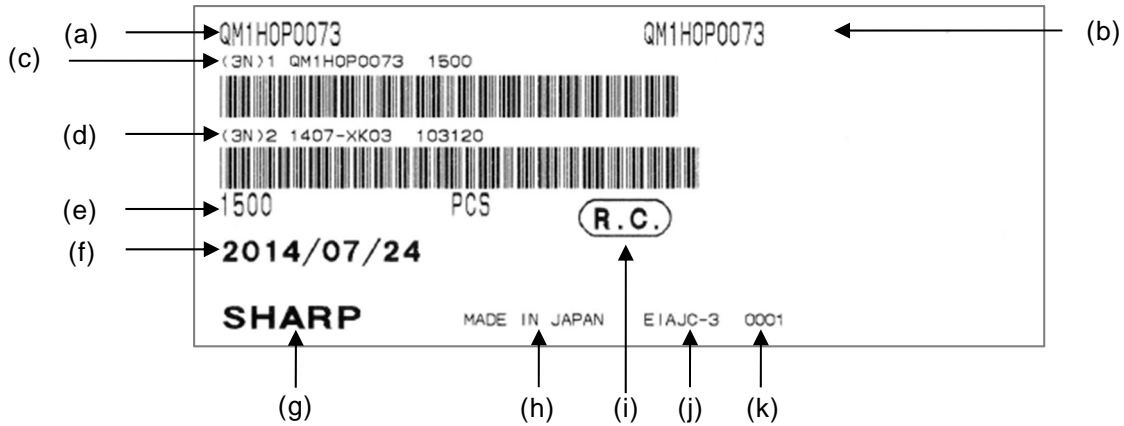


Attach the label in place.



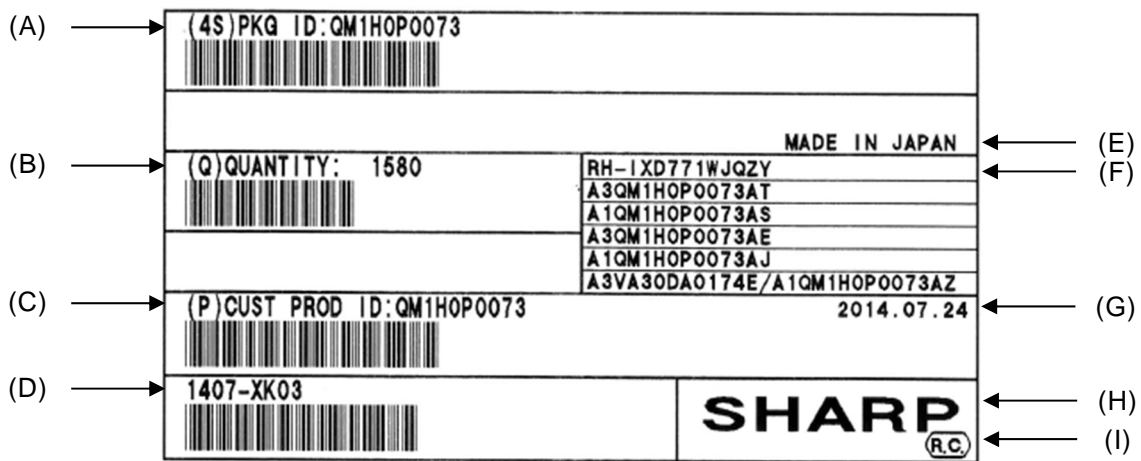


## Label Specifications



Inner label / label on reel (common)

- |  |  |
|--|--|
| (a) Model No.                          | (g) Company name (NOT SHARP Logo)        |
| (b) Model No.                          | (h) Country of origin                    |
| (c) (3N)1, Model No., Packing quantity | (i) R.C. Logo (indicates RoHS compliant) |
| (d) (3N)2, QC Lot, Company code        | (j) Bar Code Type (EIAJ C-3 compliant)   |
| (e) Packing quantity                   | (k) Label number                         |
| (f) Packing date                       |  |



Outer label

- |  |  |
|--|--|
| (A) (4S), Package ID (same as Model No.) | (F) SHARP internal part No.              |
| (B) (Q), Packing quantity                | (G) Packing date                         |
| (C) (P) • Model No.                      | (H) Company name (NOT SHARP Logo)        |
| (D) QC Lot                               | (I) R.C. Logo (indicates RoHS compliant) |
| (E) Country of origin                    |  |

Traceability is controlled by marking on each product and label on reel.

## 13. Storage Conditions

Store this product under the following temperature and relative humidity conditions. Avoid condensation, direct sunlight, heat, sea breeze and corrosive chemicals (SO<sub>2</sub>, H<sub>2</sub>S, Cl<sub>2</sub>, acids, alkalies, NH<sub>3</sub>, etc.) and keep free from dust.

### Recommended storage conditions before opening

Temperature	Relative Humidity	Storage Period
5 to 40°C	20 to 60 %RH	< 1 year

### Recommended storage conditions after opening

Temperature	Relative Humidity	Storage Period
5 to 30°C	40 to 70 %RH	< 168 hours

#### Notes:

Storage conditions after opening the packing is equivalent to MSL=3.

Significant drying of relative humidity sensor element caused by prolonged exposure to high temperature, etc. may increase error of relative humidity readout value, so only one reflow process is allowed for this product after opening the packing.

Use this product within the specified period as above, and do not apply baking (desiccation) process.

### Notice on opening the packing

- Open the packing on the anti-static work bench with taking measures against static electricity to a worker.
- Use the anti-static tray when transferring products from reel. To fix the trays, avoid using materials such as rubber bands that may generate corrosive gas.
- Using this product within one (1) year after delivery is recommended. After more than one year, check solderability of each terminal before use.

## 14. Compliance with regulations on chemical substances

### RoHS Compliant

This product does not contain any of the following substances restricted by the RoHS directive (2002/95/EC)

Restricted substances:

lead\*, mercury, cadmium, hexavalent chromium, polybrominated biphenyl(PBB), polybrominated diphenyl ether(PBDE)

\*: Except lead in high melting temperature type solders (i.e. lead-based alloys containing 85% by weight or more lead) as RoHS exemption.

ACPEIP Information (Administration on the Control of Pollution caused by Electronic Information Products, Chinese: 电子信息产品污染控制管理办法)

Category	Toxic and hazardous substances					
	Lead (Pb)	Mercury (Hg)	Cadmium (Cd)	Hexavalent chromium (Cr <sup>6+</sup> )	Polybrominated biphenyls (PBB)	Polybrominated diphenyl ethers (PBDE)
Temperature/Relative Humidity Sensor	✓	✓	✓	✓	✓	✓

NOTE: ✓ indicates that the content of the toxic and hazardous substance in all the homogeneous materials of the part is below the concentration limit requirement as described in SJ/T 11363-2006 standard.

### Specific brominated flame retardants

This product is free of specific brominated flame retardants(Polybrominated biphenyl(PBB), Polybrominated diphenyl ether(PBDE)).

### **Ozone depleting chemicals(ODCs)**

This product does not contain any of the following ozone depleting chemicals (ODCs), and no ODCs are used in any manufacturing processes.

Restricted substances:

CFCs (Chloro-fluoric Carbons), halon, carbon tetrachloride, 1-1-1 trichloroethane (methylchloroform)