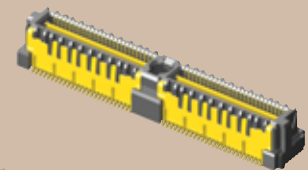
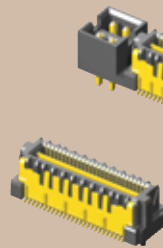


QMSS-048-06.75-L-D-DP-PC4



QMSS-052-06.75-L-D-A

QMSS-026-06.75-L-D-A

www.dataSheet4U.com

# 0,635mm SHIELDED HEADER QMSS SERIES

## SPECIFICATIONS

For complete specifications and recommended PCB layouts see [www.samtec.com?QMSS](http://www.samtec.com?QMSS)

**Insulator Material:**  
Liquid Crystal Polymer



**Terminal, Ground Plane & Shield Material:**  
Phosphor Bronze

**Plating:**  
Au over 50µ" (1,27µm) Ni (Tin on Ground Plane Tail)  
**Current Rating:**  
Signal Contact: 1.8A @ 80°C  
Power Contact: 3.95A @ 80°C  
Ground Plane: 8.9A @ 80°C

**Voltage Rating:**  
300 VAC mated with QFSS

**Operating Temp:**  
-55°C to +125°C

**RoHS Compliant:**  
Yes

## Processing:

**Max Processing Temp:**  
230°C for 60 seconds, or 260°C for 20 seconds 3x  
**Lead-Free Solderable:**  
Yes

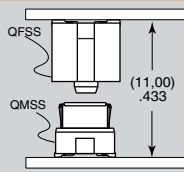
**SMT Lead Coplanarity:**  
(0,10mm) .004" max (026-078)  
(0,15mm) .006" max (104)

**Board Stacking:**  
For applications requiring more than two connectors per board or 4 banks or more, contact [ipg@samtec.com](mailto:ipg@samtec.com)

## APPLICATION SPECIFIC OPTION

- Headers without Alignment Pins
  - 8 Power Pins/End
  - 4 or 8 Power Pins/End for (2,36mm) 0.93" thick board
  - Guide Post
  - Edge Mount
  - Hot Pluggable
- Call Samtec.

## APPLICATION

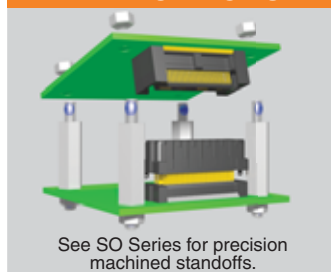


**Note:** Some lengths, styles and options are non-standard, non-returnable.

**Board Mates:**  
QFSS

**Cable Mates:**  
6QDPS

## APPLICATIONS



Integral metal plane for power or ground

Increased insertion depth for rugged applications

Grounds to shield

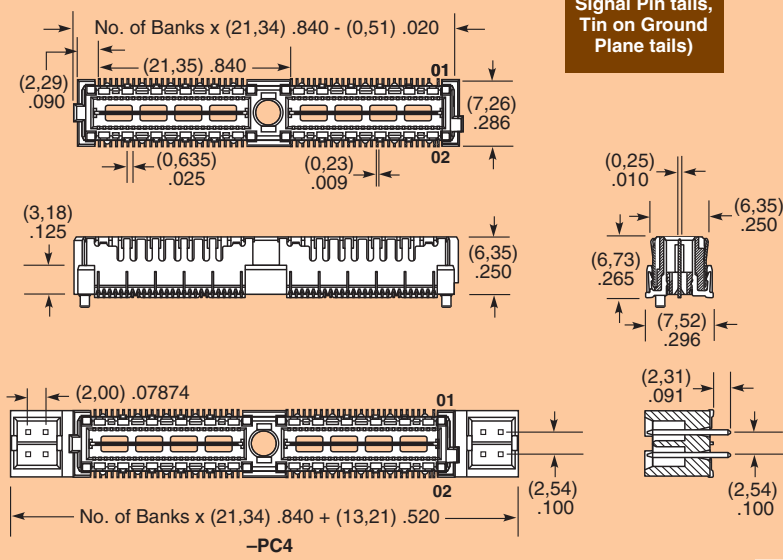
Signal Pairs  
Differential routing

Optional Power Pins

11mm Stack Height	Based on ± 10% Impedance/Crosstalk
Single-Ended Signaling	2.3 GHz / 4.6 Gbps
Differential Pair Signaling	1.4 GHz / 2.8 Gbps



<b>QMSS</b>	<b>PINS PER ROW NO. OF PAIRS</b>	<b>06.75</b>	<b>PLATING OPTION</b>	<b>TYPE</b>	<b>A</b>	<b>OTHER OPTION</b>
	<p><b>-026, -052, -078, -104</b> (52 total pins per bank 40 signals + 12 grounds to shield = -D)</p> <p><b>-016, -032, -048, -064</b> (16 pairs per bank = -D-DP)</p>		<p><b>-L</b> = 10µ" (0,25µm) Gold on Signal Pins, Shield and Ground Plane</p> <p>(Gold flash on Signal Pin tails, Tin on Ground Plane tails)</p>	<p><b>-D</b> = Single-Ended</p> <p><b>-D-DP</b> = Differential Pair</p>		<p><b>-K</b> = (5,50mm) .217" DIA Polyimide film Pick &amp; Place Pad (N/A with -PC4)</p> <p><b>-PC4</b> = 4 Power Pins/End (N/A with -104 or -A)</p>



Due to technical progress, all designs, specifications and components are subject to change without notice.