

QSFCT2X3244 PRELIMINARY

Q

3.3 Volt CMOS 16-Bit Buffer/Line Driver

QS74FCT2X3244

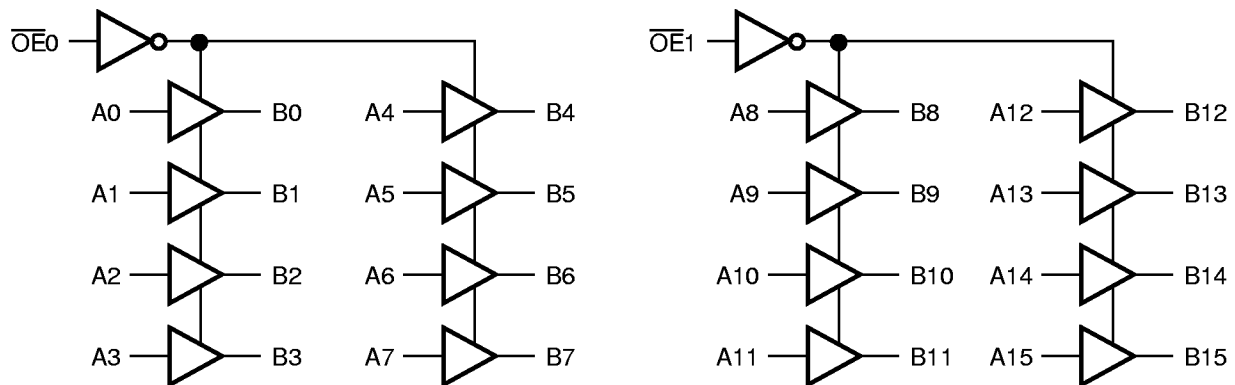
FEATURES/BENEFITS

- Pin and function compatible to the QSFCT2X244
- Available in 40-pin QVSOP
- Undershoot clamp diodes on all inputs
- Ground bounce controlled outputs
- Low power QCMOS: 0.07 μ W typ static
- JEDEC low voltage spec compatible
- $I_{OL} = 24$ mA Com.
- TTL-compatible input and output levels
- Extended temperature -40°C to $+85^{\circ}\text{C}$
- 2.7V to 3.6V Supply Voltage

DESCRIPTION

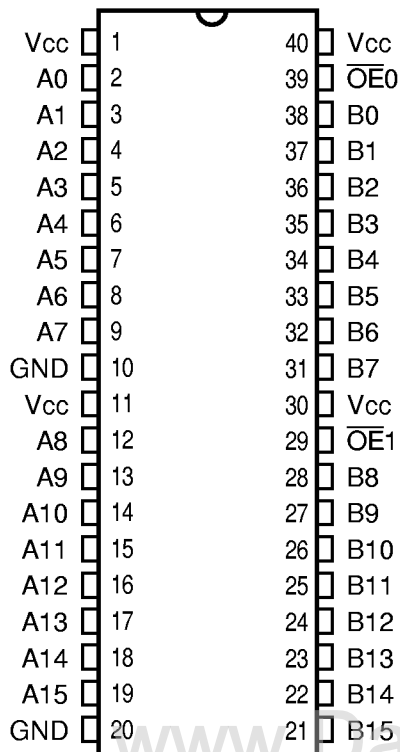
The FCT2X3244 is a 16-bit buffer/line driver with three-state outputs that is ideal for driving high-capacitance loads as in memory address and data buses. All inputs have clamp diodes for undershoot noise suppression and all outputs have ground bounce suppression (see QSI Application Note AN-001). Control pins can be driven by 3.3V or 5V components. Ultra-low power QCMOS technology makes this product ideal for portable computing systems or communications devices.

FUNCTIONAL BLOCK DIAGRAM



QSFCT2X3244 PRELIMINARY

PIN CONFIGURATION (All Pins Top View)



PIN DESCRIPTION

Name	I/O	Description
Ai	I/O	Data Bus A Inputs
Bi	I/O	Data Bus B Outputs
$\overline{OE}0$	I	Output Enables for A/B7-A/B0
$\overline{OE}1$	I	Output Enables for A/B15-A/B8

FUNCTION TABLE

$\overline{OE}n$	Input A	Output B
H	X	Hi-Z
L	L	L
L	H	H

ABSOLUTE MAXIMUM RATINGS

Supply Voltage to Ground	-0.5V to +4.6V
DC Input/Output Voltage	-0.5V to $V_{CC} + 0.5V$
DC Control Pin Voltage V_{IN}	-0.5V to +7.0V
AC Input Voltage (for a pulse width ≤ 20 ns)	-3.0V
DC Input Diode Current with $V_{IN} < 0$	± 20 mA
DC Output Diode Current with $V_{OUT} < 0$	± 50 mA
DC Output Current Max. Sink Current/Pin	± 60 mA
Maximum Power Dissipation	0.5 watts
T_{STG} Storage Temperature	-65° to +150°C

Note: Stresses greater than those listed under ABSOLUTE MAXIMUM RATINGS may cause permanent damage to this device resulting in functional or reliability type failures.

QSFCT2X3244 PRELIMINARY

CAPACITANCE

$T_A = 25^\circ\text{C}$, $f = 1\text{ MHz}$, $V_{IN} = 0\text{V}$, $V_{OUT} = 0\text{V}$

Pins	QVSOP Typ	Unit
1, 11, 29, 39	4	pF
2-9, 12-19, 21-28, 31-38	8	pF

Note: Capacitance is characterized but not tested.

RECOMMENDED OPERATING CONDITIONS

Symbol	Description	Min	Max	Unit
V_{CC}	Supply Voltage	2.7	3.6	V
V_{IN}	Input Voltage	0	V_{CC}	V
V_{OUT}	Output Voltage	0	V_{CC}	V
T_A	Ambient Operating Temperature	-40	+85	$^\circ\text{C}$
$\Delta t/\Delta V$	Input Transition Rise or Fall Rate ⁽¹⁾	0	8	ns/V

Notes:

1. As measured between 0.8V and 2V.

DC ELECTRICAL CHARACTERISTICS OVER OPERATING RANGE

Recommended operating conditions apply unless otherwise specified.

Symbol	Parameter	Test Conditions	Min	Typ ⁽¹⁾	Max	Unit
V_{IH}	Input HIGH Voltage	Input Pins	2.0	—	5.5	V
		I/O Pins	2.0	—	$V_{CC}+0.5$	V
V_{IL}	Input LOW Voltage	Input Pins	-0.5	—	0.8	V
ΔV_T	Input Hysteresis	$V_{TLH} - V_{THL}$ for All Inputs	—	0.2	—	V
$ I_{IH} $ $ I_{IL} $	Input Current Input HIGH or LOW	$V_{CC} = \text{Max.}, 0 \leq V_{IN} < V_{CC}$	—	—	1	μA
$ I_{OZ} $	Off-State Output Current (Hi-Z)	$V_{CC} = \text{Max.}, 0 \leq V_{IN} \leq V_{CC}$	—	—	5	μA
I_{OS}	Short Circuit Current	$V_{CC} = \text{Max.}, V_{OUT} = \text{GND}^{(2,3)}$	-60	—	-225	mA
V_{IC}	Input Clamp Voltage	$V_{CC} = \text{Min.}, I_{IN} = -18\text{ mA}^{(3)}$	—	-0.7	—	V
V_{OH}	Output HIGH Voltage	$V_I = V_{IH}$ or V_{IL} , $V_{CC} = \text{Min.}, I_{OH} = -100\ \mu\text{A}$	$V_{CC}-0.2$	—	—	V
		$V_I = V_{IH}$ or V_{IL} , $V_{CC} = 3\text{V}, I_{OH} = -8\text{ mA}$	2.4	—	—	
V_{OL}	Output LOW Voltage	$V_I = V_{IH}$ or V_{IL} , $V_{CC} = \text{Min.}, I_{OL} = 100\ \mu\text{A}$	—	—	0.2	V
		$V_I = V_{IH}$ or V_{IL} , $V_{CC} = 3\text{V}, I_{OL} = 16\text{ mA}$	—	—	0.4	V
		$V_I = V_{IH}$ or V_{IL} , $V_{CC} = 3\text{V}, I_{OL} = 24\text{ mA}$	—	—	0.5	V

Notes:

1. Typical values indicate $V_{CC} = 3.3\text{V}$ and $T_A = 25^\circ\text{C}$.
2. Not more than one output should be shorted and the duration is ≤ 1 second.
3. These parameters are guaranteed by design but not tested.

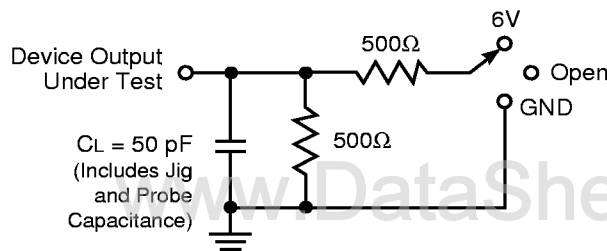
QSFCT2X3244 PRELIMINARY

POWER SUPPLY CHARACTERISTICS

Symbol	Parameter	Test Conditions ⁽¹⁾	Min	Typ	Max	Unit
I _{CC}	Quiescent Power Supply Current	V _{CC} = Max., freq = 0 0V ≤ V _{IN} ≤ 0.2V or V _{CC} -0.2V ≤ V _{IN} ≤ V _{CC}	—	0.02	40	μA
ΔI _{CC}	Supply Current per Input @ TTL HIGH	V _{CC} = Max., freq = 0, V _{IN} = V _{CC} - 0.6V	—	1.0	20	μA
Q _{CCD}	Supply Current per Input per MHz	V _{CC} = Max., Outputs Open and Enabled One Bit Toggling @ 50% Duty Cycle Other Inputs at GND or V _{CC} ^(2,3)	—	40	85	μA/ MHz

Notes:

- For conditions shown as Min. or Max., use the appropriate values specified under DC specifications.
- Q_{CCD} is a measurement of device power consumption only and does not include power to drive load capacitance or tester capacitance. This parameter is guaranteed by design but not tested.
- I_c can be computed using the above parameters as explained in the Technical Overview section.



Test	Switch
t _{PHL} /t _{PLH}	Open
t _{PZL} /t _{PLZ}	6V
t _{PZH} /t _{PHZ}	GND

Load Circuit for Outputs

Notes

- Input pulse characteristics: 0V to 2.7V, t_r = t_f = 2.5 ns (10% to 90%), transition measured at 1.5V, pulse generator Z_{OUT} = 50Ω.

SWITCHING CHARACTERISTICS OVER OPERATING RANGE

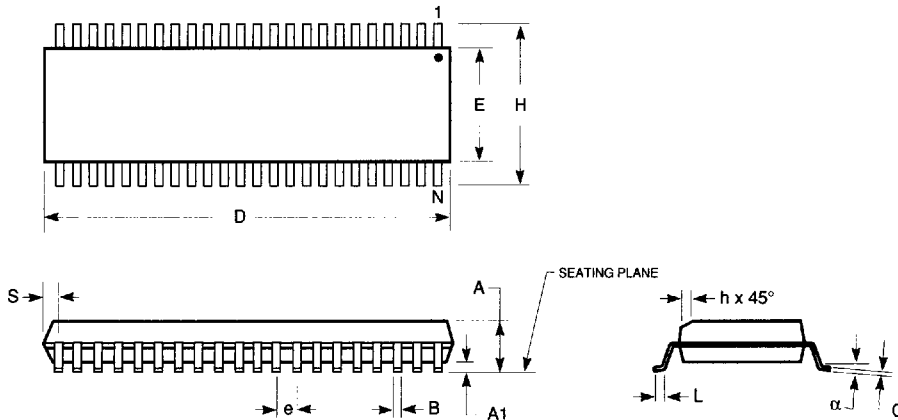
Commercial T_A = 0°C to 70°C, V_{CC} = 3.3V ± 0.3V

C_{LOAD} = 50 pF, R_{LOAD} = 500Ω unless otherwise noted.

Symbol	Description ⁽¹⁾	2X3244		2X3244A		Unit
		Min	Max	Min	Max	
t _{PLH} t _{PHL}	Propagation Delay A _i to B _i	1.5	6.5	1.5	4.8	ns
t _{PZH} t _{PZL}	Output Enable $\overline{\text{OE}}$ to B _i	1.5	8	1.5	6.2	ns
t _{PLZ} t _{PHZ}	Disable Time ⁽²⁾	1.5	7	1.5	5.6	ns

Notes:

- Minimums guaranteed but not tested.
- This parameter is guaranteed by design but not tested.
- See Test Circuit and Waveforms.

**150-MIL QVSOP™ - Package Code Q1/Q2
150-Mil Wide Plastic Small Outline Gull-Wing**


www.DataSheet4U.com

JEDEC#	MO-154BB			MO-154AB		
DWG#	PSS-40A (Q2)			PSS-48A (Q1)		
Symbol	Min	Nom	Max	Min	Nom	Max
A	0.059	0.065	0.069	0.059	0.065	0.069
A1	0.004	0.006	0.008	0.004	0.006	0.008
B	0.0067	0.008	0.009	0.0051	0.0063	0.008
C	0.0075	0.008	0.0098	0.0075	0.008	0.0098
D	0.386	0.390	0.394	0.386	0.390	0.394
E	0.150	0.154	0.157	0.150	0.154	0.157
e	0.0197 BSC, 0.5mm			0.0157 BSC, 0.4mm		
H	0.228	0.236	0.244	0.228	0.236	0.244
h	0.010	0.013	0.016	0.010	0.013	0.016
L	0.020	0.024	0.030	0.020	0.024	0.030
N	40			48		
α	0°	5°	8°	0°	5°	8°
S	0.006	0.008	0.010	0.012	0.014	0.016

Notes:

1. Refer to applicable symbol list.
2. All dimensions are in inches.
3. N is the number of lead positions.
4. Dimensions D and E are to be measured at maximum material condition but do not include mold flash. Allowable mold flash is 0.006in. per side.
5. Lead coplanarity is 0.003in. maximum.

7466803 0003753 331

QUALITY SEMICONDUCTOR, INC.