

0,50mm HI-SPEED SOCKET QSH SERIES

SPECIFICATIONS

For complete specifications see www.samtec.com?QSH

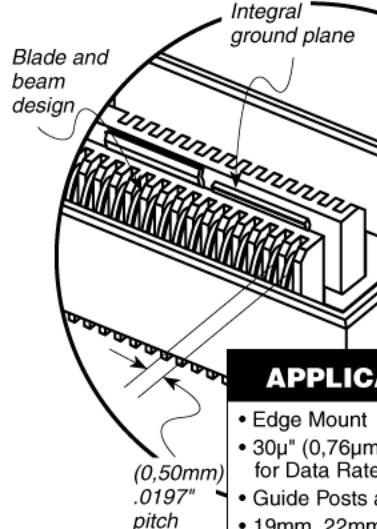
Insulator Material: Liquid Crystal Polymer
Contact Material: Phosphor Bronze
Plating: Au over 50µ" (1,27µm) Ni
Current Rating: Contact: 1.0A @ 30°C
 Temperature Rise
 Ground Plane: 7.8A @ 30°C
 Temperature Rise
Operating Temp Range: -55°C to +125°C
Voltage Rating: 125 VAC mated with QTH & 5mm Stack Height



Mates with:
 QTH, HQCD
 (See Application Specific note)



0,50mm QTH/QSH	Rated @ -3dB Insertion Loss
5mm Stack Height	
Single-Ended Signaling	9 GHz / 18 Gbps
Differential Pair Signaling	8 GHz / 16 Gbps
11mm Stack Height	
Single-Ended Signaling	6 GHz / 12 Gbps
Differential Pair Signaling	5 GHz / 10 Gbps
16mm Stack Height	
Single-Ended Signaling	5 GHz / 10 Gbps
Differential Pair Signaling	5 GHz / 10 Gbps
30mm Stack Height	
Single-Ended Signaling	3 GHz / 6 Gbps
Differential Pair Signaling	1.5 GHz / 3 Gbps



STACK HEIGHTS

QTH LEAD STYLE	MATED HEIGHT WITH QSH
-01	(5,00) .198
-02	(8,00) .316
-03	(11,00) .434
-09	(14,00) .552
-04	(16,00) .630

Processing conditions will affect mated height.

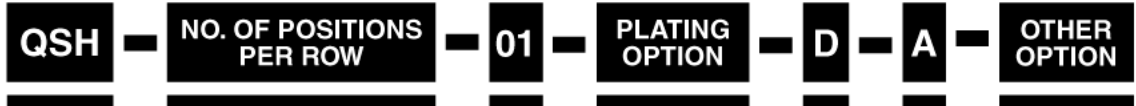
APPLICATION SPECIFIC

- Edge Mount
 - 30µ" (0,76µm) Gold (Specify -H plating for Data Rate cable applications)
 - Guide Posts and Friction Lock options
 - 19mm, 22mm, 25mm, 30mm stack height
- Call Samtec

Processing:

Max Processing Temp: 230°C for 60 seconds, or 260°C for 20 seconds 3x
Lead-Free Solderable: Yes
SMT Lead Coplanarity: (0,10mm) .004" max (030-060) (0,15mm) .006" max (090-150)
Board Stacking: For applications requiring more than two connectors per board, contact ipg@samtec.com
Suggested PCB Layouts: For reference only. Go to www.samtec.com?QSH for recommended PCB layout.

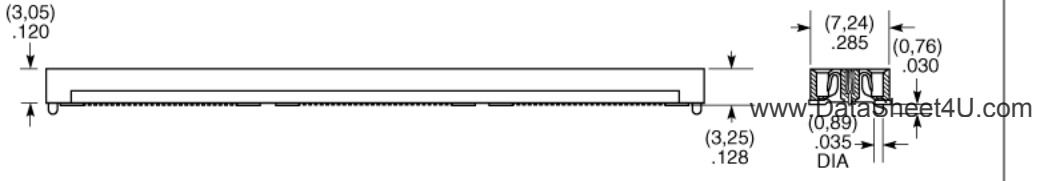
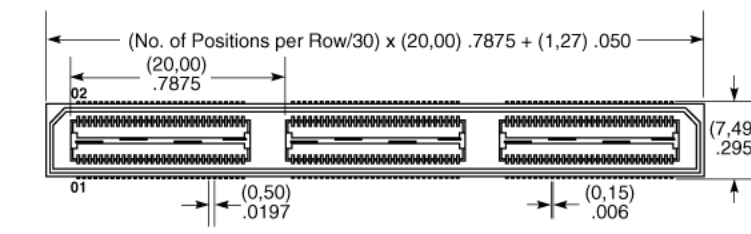
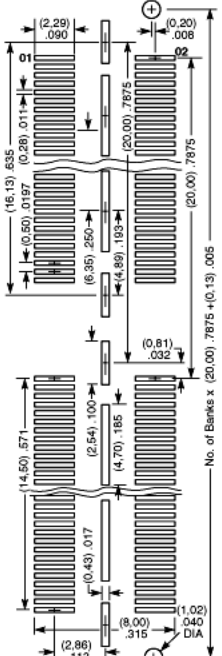
Note: Some lengths, styles and options are non-standard, non-returnable.



-030, -060, -090, -120, -150
 (60 total positions per bank)

-L
 = 10µ" (0,25µm) Gold on Signal Pins and Ground Plane, Gold Flash on tails
-F
 = Gold Flash on Signal Pins and Ground Plane

-K
 = (8,25mm) .325" DIA Polyimide Film Pick & Place Pad
-TR
 = Tape & Reel (-090 positions maximum)



www.DataSheet4U.com