

0,635mm HI-SPEED HEADER QTS SERIES

SPECIFICATIONS

For complete specifications see www.samtec.com?QTS

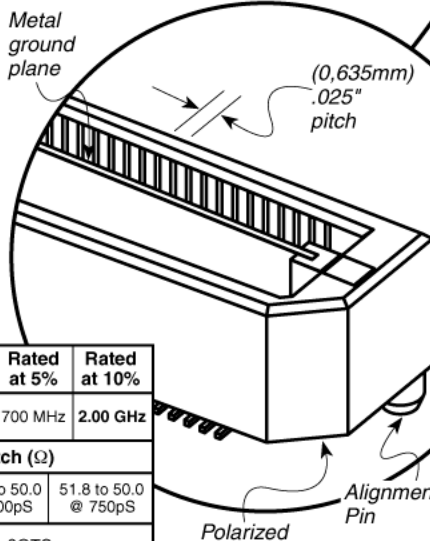
Insulator Material: Liquid Crystal Polymer
Terminal Material: Phosphor Bronze
Plating: Au over 50µ" (1,27µm) Ni
Current Rating: Contact: 1.1A @ 30°C
 Temperature Rise
 Ground Plane: 7.8A @ 30°C
 Temperature Rise
Operating Temp: -55°C to +125°C
Voltage Rating: 285 VAC mated with QSS



Mates with: QSS



Note: Some lengths, styles and options are non-standard, non-returnable.



STACK HEIGHTS

| QTS LEAD STYLE | MATED HEIGHT WITH QSS |
|----------------|-----------------------|
| -01 | (5,00) .198 |
| -02 | (8,00) .316 |
| -03 | (11,00) .434 |
| -04 | (16,00) .630 |

Processing conditions will affect mated height.

APPLICATION SPECIFIC OPTION

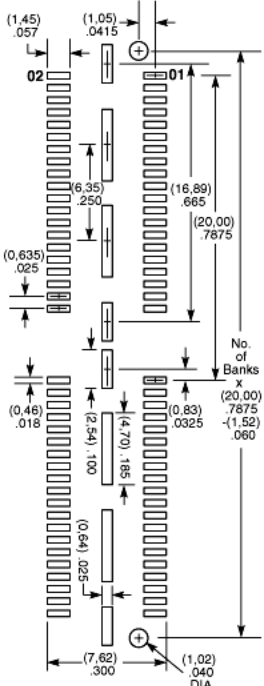
- 30µ" (0,76µm) Gold
 - Differential Pair
 - "Partitionable" (combine differential & single-ended banks in same connector)
- Call Samtec.

| Configuration | Near End Crosstalk | Prop. Delay | Rated at 5% | Rated at 10% |
|------------------|------------------------|----------------------|----------------------|----------------------|
| 5mm Stack Height | 3.6% @ 500 pS | -8% @ 175 pS | 40.0pS | 700 MHz |
| | Impedance Mismatch (Ω) | | | |
| | 56.4 to 50.0 @ 100pS | 53.7 to 50.0 @ 250pS | 52.4 to 50.0 @ 500pS | 51.8 to 50.0 @ 750pS |

For complete Test Report logon to www.samtec.com?QTS

Processing:

Max Processing Temp: 230°C for 60 seconds, or 260°C for 20 seconds 3x
Lead-Free Solderable: Yes
SMT Lead Coplanarity: (0,10mm) .004" max (025-075) (0,15mm) .006" max (100-125)
Board Stacking: For applications requiring more than two connectors per board, contact ipg@samtec.com
Suggested PCB Layouts: For reference only. Go to www.samtec.com?QTS for recommended PCB layout.



QTS - **NO. OF POSITIONS PER ROW** - **BODY STYLE** - **PLATING OPTION** - **D** - **A** - **OTHER OPTION**

-025, -050, -075, -100, -125
(50 total positions per bank)

Specify LEAD STYLE from chart.

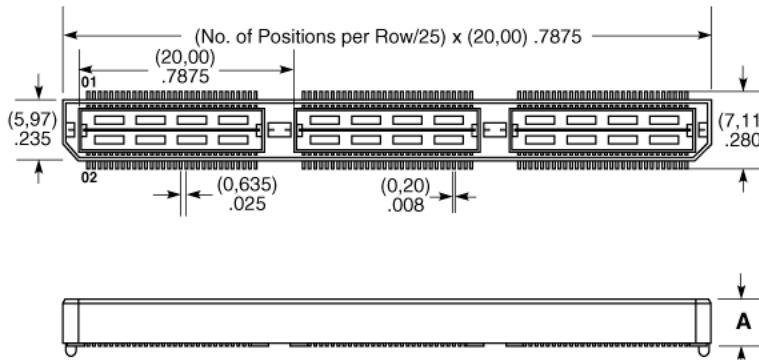
-L = 10µ" (0,25µm) Gold on Signal Pins and Ground Plane, Gold Flash on tails

-F = Gold Flash on Signal Pins and Ground Plane

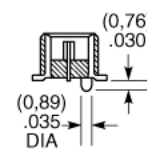
-K = (7,00mm) .275" DIA Polyimide film Pick & Place Pad

-TR = Tape & Reel (-075 positions maximum)

-TY = Tray Packaging



| LEAD STYLE | A |
|------------|--------------|
| -01 | (4,27) .168 |
| -02 | (7,26) .286 |
| -03 | (10,26) .404 |
| -04 | (15,24) .600 |



Due to technical progress, all designs, specifications and components are subject to change without notice.