
1.2A, 30V Step Down DC/DC converter

NO.EA-293-111123

OUTLINE

The R1244N001B is CMOS-based Step-down DC/DC converter with an internal N-channel high side Tr. ($R_{DS(ON)}$ Typ. 0.35Ω) power switch. The R1244N001B can provide the maximum 1.2A output current. The IC consists of an oscillator, a PWM control circuit, a reference voltage unit, an error amplifier, phase compensation circuits, a slope compensation circuit, a soft-start circuit, protection circuits, an internal voltage regulator, and a switch for a bootstrap circuit. To make a step-down DC/DC converter with the R1244N001B, as external components, an inductor, resistors, a diode, and capacitors are necessary.

The R1244N001B is a current mode PWM step-down DC/DC converter, but the external current sense resistor is not necessary. Fast transient response and high efficiency characteristics are realized with the R1244N001B. The R1244N001B allows the use of ceramic capacitors. The oscillator frequency is internally fixed at 1.25MHz.

Cycle by cycle current limit provides protection against over-current. Fold back circuit reduces frequency into 1/4 against shorted output and realizes limiting the Lx current. Thermal shutdown function and UVLO are also built-in.

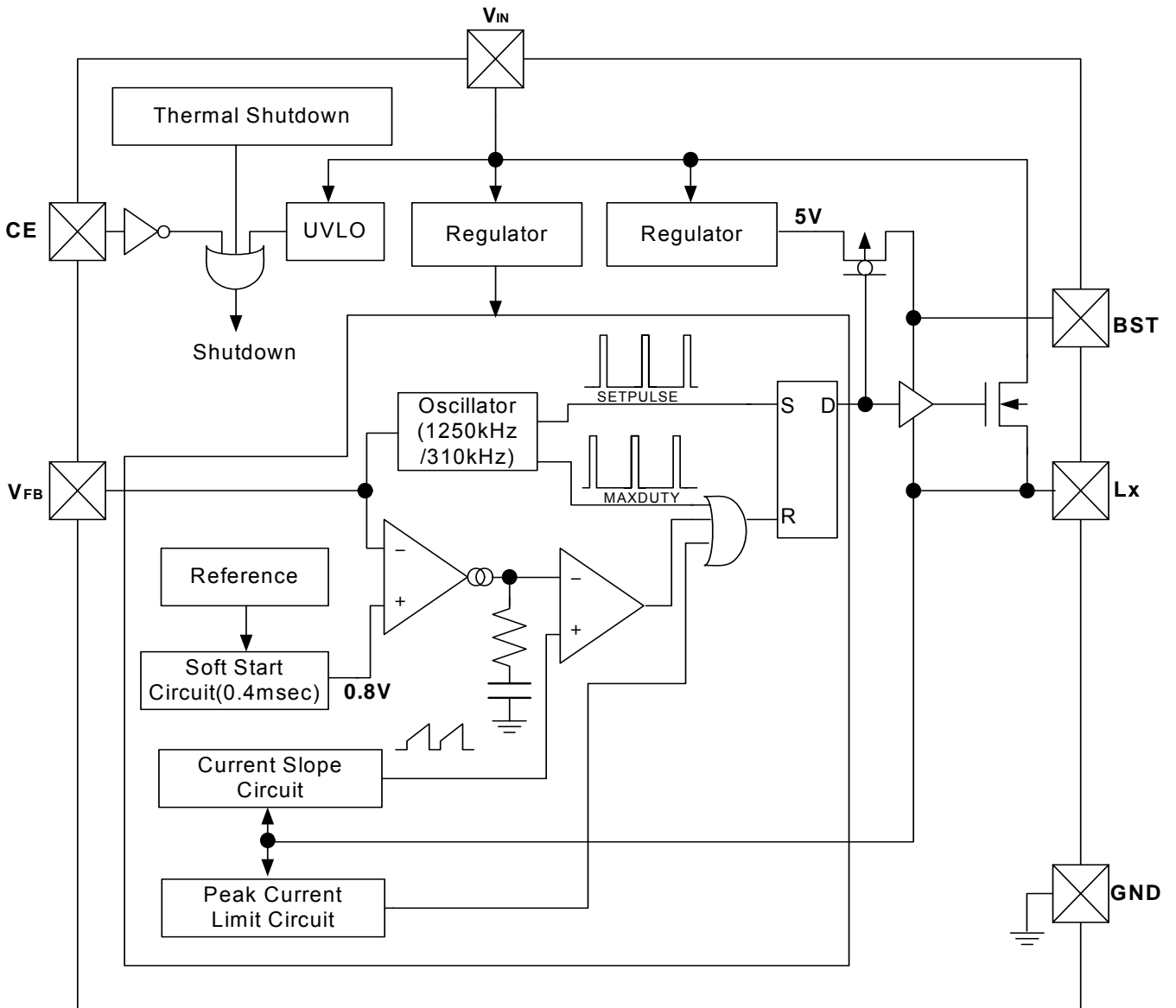
FEATURES

- Operating Voltage 4.5V~30V
- Internal Nch MOSFET Driver..... Typ. $R_{ON}=0.35\Omega$
- Adjustable output voltage with external resistor 0.8V~15V
- Feed back voltage $0.8V\pm 1.5\%$
- Peak Current limit function Typ. 2.0A
- UVLO function
- Operating Frequency..... 1.25MHz (310kHz : fold condition)
- Short protection for output Fold Back
- Ceramic Capacitor compatible
- Stand-by function Typ. $0\mu A$
- Package SOT-23-6W

APPLICATIONS

- Power source for digital home appliance
- Power source for hand-held communication equipment, cameras, video instruments such as VCRs, camcorders.
- Power source for battery-powered equipment.
- Battery Charger

BLOCK DIAGRAMS

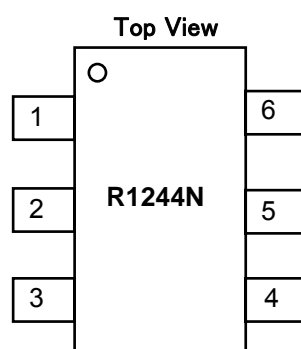


SELECTION GUIDE

Product Name	Package	Quantity per Reel	Pb Free	Halogen Free
R1244N001B-TR-FE	SOT-23-6W	3,000 pcs	Yes	Yes

PIN CONFIGURATION

- SOT-23-6W



PIN DESCRIPTION

- R1244N001B

Pin No.	Symbol	Description
1	BST	Bootstrap Pin
2	GND	Ground Pin
3	V _{FB}	Feedback Pin
4	CE	Chip Enable Pin (Active with "H")
5	V _{IN}	Power Supply Pin
6	L _X	L _X Switching Pin

ABSOLUTE MAXIMUM RATINGS

(GND=0V)

Symbol	Item	Rating	Unit
V_{IN}	Input Voltage	-0.3 to 32	V
V_{BST}	BST Pin Voltage	$V_{LX}-0.3$ to $V_{LX}+6$	V
V_{LX}	Lx Pin Voltage	-0.3 to $V_{IN}+0.3$	V
I_{LX}	Lx Pin Current	2	A
V_{CE}	CE Pin input Voltage	-0.3 to $V_{IN}+0.3$	V
V_{FB}	V_{FB} Pin Voltage	-0.3 to 4	V
P_D	Power Dissipation(SOT-23-6W)	Standard Land Pattern	430*
T_a	Operating Temperature Range	-40 to 85	°C
T_{stg}	Storage Temperature Range	-55 to 125	°C

*) For Power Dissipation, please refer to PACKAGE INFORMATION.

ABSOLUTE MAXIMUM RATINGS

Electronic and mechanical stress momentarily exceeded absolute maximum ratings may cause the permanent damages and may degrade the life time and safety for both device and system using the device in the field.

The functional operation at or over these absolute maximum ratings is not assured.

ELECTRICAL CHARACTERISTICS

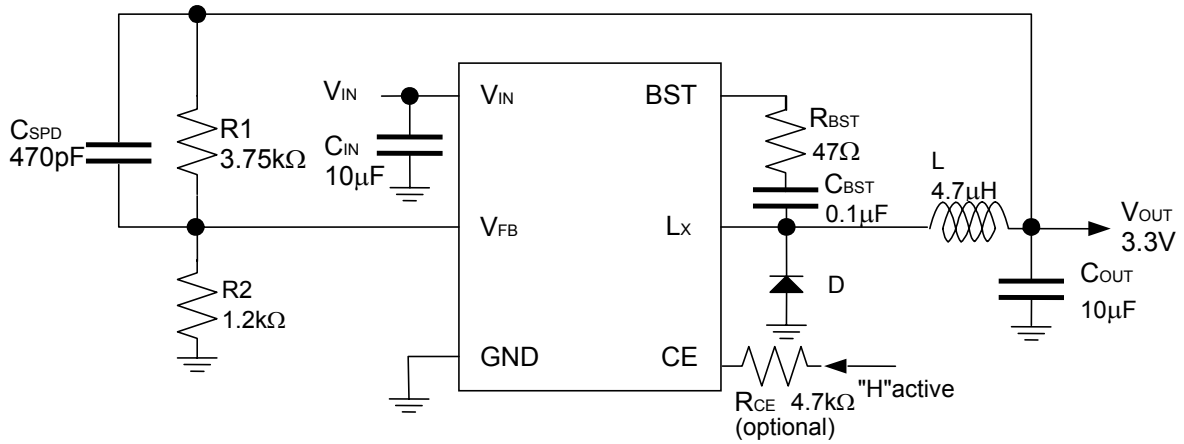
(Otherwise notified in Conditions, $V_{IN}=12V$, $T_a=25^{\circ}C$)

Symbol	Item	Conditions	MIN.	TYP.	MAX.	Unit
V_{IN}	Operating Input Voltage		4.5		30	V
I_{IN}	V_{IN} Consumption Current	$V_{IN}=30V$, $V_{FB}=1.0V$		0.5	1.0	mA
V_{UVLO1}	UVLO Detector Voltage	Falling		V_{UVLO2} -0.2		V
V_{UVLO2}	UVLO Released Voltage	Rising	3.7	4.0	4.2	V
V_{FB}	FB Voltage Tolerance		0.788	0.800	0.812	V
$\Delta V_{FB}/\Delta T$	V_{FB} Voltage Temperature Coefficient	$-40^{\circ}C \leq T_a \leq 85^{\circ}C$		± 150		ppm/ $^{\circ}C$
f_{osc}	Oscillator Frequency		1000	1250	1500	kHz
f_{FLB}	Fold back Frequency	$V_{FB}<0.56V$		310		kHz
Maxduty	Oscillator Maximum. Duty Cycle			85		%
t_{MIN}	Minimum On Time			100		ns
t_{start}	Soft-start Time	$V_{FB}=0.72V$	0.2	0.4	0.6	ms
R_{LXH}	Lx High Side Switch ON Resistance			0.35		Ω
I_{LXHOFF}	Lx High Side Switch Leakage Current			0	5	μA
I_{LIMLXH}	Lx High Side Switch Limited Current			2.0		A
V_{CEH}	CE "H" Input Voltage		1.6			V
V_{CEL}	CE "L" Input Voltage				0.3	V
I_{FB}	V_{FB} Input Current		-1.0		1.0	μA
I_{CEH}	CE "H" Input Current		-1.0		1.0	μA
I_{CEL}	CE "L" Input Current		-1.0		1.0	μA
T_{TSD}	Thermal Shutdown Detect Temperature	Hysteresis $30^{\circ}C$		160		$^{\circ}C$
Istandby	Standby Current	$V_{IN}=30V$		0	5	μA

RECOMMENDED OPERATING CONDITIONS (ELECTRICAL CHARACTERISTICS)

All of electronic equipment should be designed that the mounted semiconductor devices operate within the recommended operating conditions. The semiconductor devices cannot operate normally over the recommended operating conditions, even if when they are used over such conditions by momentary electronic noise or surge. And the semiconductor devices may receive serious damage when they continue to operate over the recommended operating conditions.

TYPICAL APPLICATION



(External Parts)

C _{IN}	10μF	KTS500B106M55N0T00 (Nippon Chemi-Con)
C _{OUT}	10μF	GRM31CR71E106K (Murata)
C _{BST}	0.1μF	GRM21BB11H104KA01L (Murata)
L	4.7μH	SLF7045T-4R7M2R0-PF (TDK)
D		MA24D60 (Panasonic)

● Technical Notes on External Components

External components must be connected as close as possible to the ICs and make wiring as short as possible. Especially, the capacitor connected in between V_{IN} and GND pin must be placed close to the IC.

If the impedance of power line and ground line is high, the internal voltage level may shift by the switching current and unstable operation may result. Make the power line and GND line sufficient. Step down regulator draws large current from the power supply and large switching current flows through the GND line, the inductor, L_x line, V_{OUT} line, therefore precaution for layout is necessary. Besides, the wiring between the divider resistor(R1) for setting output voltage and the inductor, and the wiring between the load and the inductor must be separated.

Ceramic capacitors have very low equivalent series resistance(ESR) and provide the best performance for the R1244N001B. Good values of C_{IN} capacitor between V_{IN} and GND is equal or more than 10μF, and good values of C_{OUT} capacitor is equal or more than 10μF if the output voltage, V_{OUT} ≥ 1.8V. If the output voltage, V_{OUT} < 1.8V, equal or more than 20μF is recommended. Keep in mind that depending on the ceramic capacitor, the voltage bias characteristics and the temperature characteristics are different.

Select the inductor value in the range between 4.7μH and 10μH if the output voltage, V_{OUT} ≥ 5V, 4.7μH if the output voltage is 5V > V_{OUT} ≥ 1.8V, and 2.2μH if the output voltage V_{OUT} < 1.8V. Phase compensation of this IC has been made according to the combination of these inductance values and C_{OUT} ceramic capacitor values. If the inductance value is smaller than the recommendation value, the over-current protection circuit may work by increasing the peak switching current at large load current.

Over-current protection circuit is influenced by self-heating of the IC by the operation and the condition of the heat radiation.

A Schottky diode is recommended for the catch diode. Choose the diode with small terminal capacitance, Ct. If Ct is too large, during the on time of switching, large switching current flows, and unstable operation may result.

Output voltage can be set according to the equation $V_{OUT} = V_{FB} \times (R1 + R2) / R2$. If the values of R1 and R2 are large, the impedance of V_{FB} pin increases, and pickup noise may result. The recommendation value range of R2 is approximately between 1.2kΩ and 16kΩ. If the operation may be unstable, reduce the impedance of V_{FB} pin.

Recommended value for each output voltage

V _{OUT} (V)	0.8	1	1.2	1.3	1.5	1.8~6	6~15
R1(kΩ)	0	=(V _{OUT} / 0.8 - 1) × 1.2					
R2(kΩ)	open	1.20	1.20	1.20	1.20	1.20	1.20
C _{SPD} (pF)	open	3300	2200	1500	470	470	330
C _{OUT} (μF)	22 × 2	10 × 2	10 × 2	10 × 2	10 × 2	10	10
L(μH)	2.2	2.2	2.2	2.2	2.2	4.7	10.0(4.7)

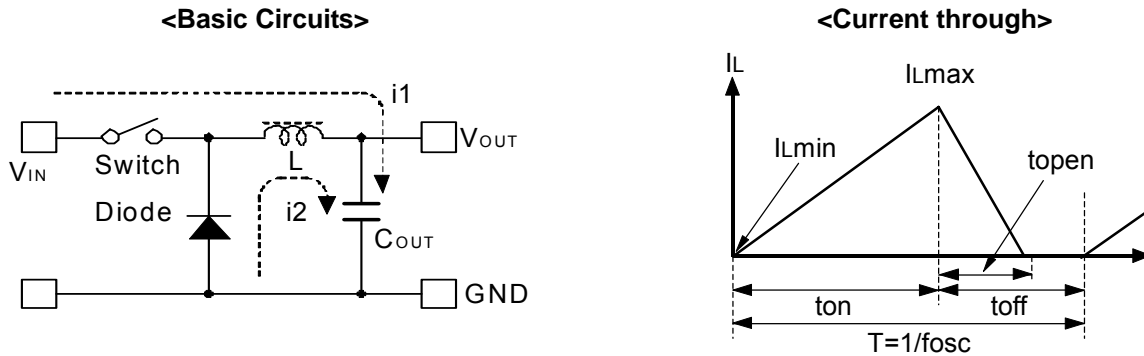
Recommended external Components

Symbol	Condition	Value	Parts Name	MFR
C _{IN}		10μF/50V	UMK325BJ106MM-T	TAIYO YUDEN
		10μF/50V	KTS500B106M55N0T00	Nippon Chemi-Con
C _{OUT}	V _{OUT} > 10V 10V > V _{OUT} > 1.8V V _{OUT} < 1.8V	10μF/50V	UMK325BJ106MM-T	TAIYO YUDEN
		10μF/50V	KTS500B106M55N0T00	Nippon Chemi-Con
		10μF/25V	GRM31CR71E106K	muRata
		22μF/10V	GRM31CR71A226M	muRata
			NOTE: The value of C _{OUT} depends upon the setting output voltage.	
C _{BST}		0.1μF/50V	GRM21BB11H104KA01L	muRata
R _{BST}		47Ω		
L	40V/2.0A	10μH	SLF6045T-100M1R6-3PF	TDK
		4.7μH	SLF7045T-4R7M2R0-PF	TDK
		2.2μH	VLCF4020T-2R2N1R7	TDK
D	30V/2.0A	0.32V	CMS06	TOSHIBA
	40V/2.0A	0.49V	CMS11	TOSHIBA
	30V/1.5A	0.42V	MA22D28	Panasonic
	40V/2.0A	0.43V	MA24D60	Panasonic
			NOTE: Diode depends upon the input voltage and output Current.	
R _{CE}	In the IC, ESD protection diode is connected between CE pin and V _{IN} pin. If there is a possibility that the CE pin voltage becomes higher than the V _{IN} pin voltage, it is recommended to insert a 4.7kΩ resistance or more in order to prevent the large current flowing from CE pin into V _{IN} pin.			

*The performance of power circuit using those ICs extremely depends upon the peripheral circuits. Pay attention in the selection of the peripheral circuits. In particular, design the peripheral circuits in a way that the values such as voltage, current, and power of each component, PCB patterns and the IC do not exceed their respected rated values. (such as the voltage, current and power)

Operation of Step Converter and The Output Current

The DC/DC converter charges energy in the inductor when switch is ON, and discharges the energy from the inductor when switch is OFF and controls with less energy loss, so that a lower output voltage than the input voltage is obtained. The operation will be explained with reference to the following diagrams:



- Step 1: Switch turns on and current $I_L (=i_1)$ flows, and energy is charged into C_{OUT} . At this moment, I_L increases from $I_{Lmin} (=0)$ to reach I_{Lmax} in proportion to the on-time period (t_{on}) of Switch.
- Step 2: When Switch turns off, Synchronous rectifier Diode turns on in order that L maintains I_L at I_{Lmax} , and current $I_L (=i_2)$ flows.
- Step 3: $I_L (=i_2)$ decreases gradually and reaches $I_L = I_{Lmin} = 0$ after a time period of t_{open} , and Diode turns off. Provided that in the continuous mode, next cycle starts before I_L becomes to 0 because t_{off} time is not enough. In this case, I_L value increases from this $I_{Lmin} (>0)$.

In the case of PWM control system, the output voltage is maintained by controlling the on-time period (t_{on}), with the oscillator frequency (f_{osc}) being maintained constant.

Output Current and Selection of External Components

The relation between the output current and external components is as follows:

When Switch of L_x is ON:

(Wherein, Ripple Current P-P value is described as I_{RP} , ON resistance of Switch and Diode of L_x are respectively described as R_{ONH} and V_F and the DC resistor of the inductor is described as R_L .)

$$V_{IN} = V_{OUT} + (R_{ONH} + R_L) \times I_{OUT} + L \times I_{RP} / t_{on} \dots\dots\dots \text{Equation 1}$$

When Switch is "OFF"(Diode is "ON") as t_{off} :

$$L \times I_{RP} / t_{off} = V_F + V_{OUT} + R_L \times I_{OUT} \dots\dots\dots \text{Equation 2}$$

Put Equation 2 to Equation 1 and solve for ON duty of Switch, $t_{on} / (t_{off} + t_{on}) = D_{ON}$,

$$D_{ON} = (V_{OUT} + V_F + R_L \times I_{OUT}) / (V_{IN} + V_F - R_{ONH} \times I_{OUT}) \dots\dots\dots \text{Equation 3}$$

Ripple Current is as follows:

$$I_{RP} = (V_{IN} - V_{OUT} - R_{ONH} \times I_{OUT} - R_L \times I_{OUT}) \times D_{ON} / f_{osc} / L \dots\dots\dots \text{Equation 4}$$

Wherein, peak current that flows through L, and Switch is as follows:

$$I_{lmax} = I_{OUT} + I_{RP} / 2 \dots\dots\dots \text{Equation 5}$$

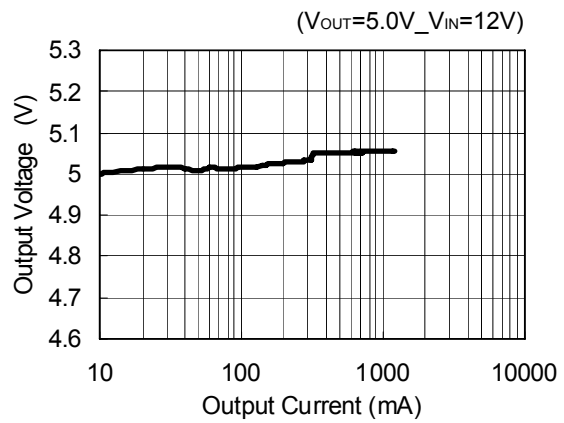
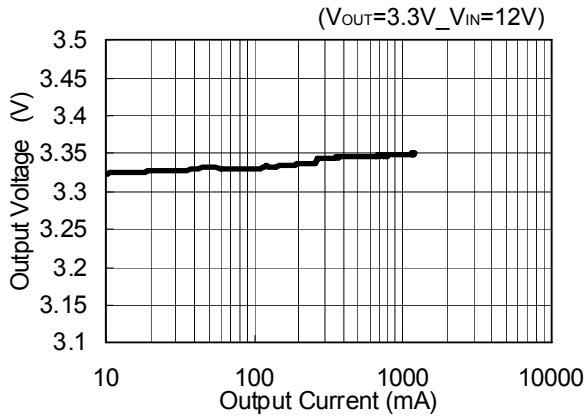
Consider I_{lmax} , condition of input and output and select external components.

*The above explanation is directed to the calculation in an ideal case in continuous mode.

TYPICAL CHARACTERISTICS

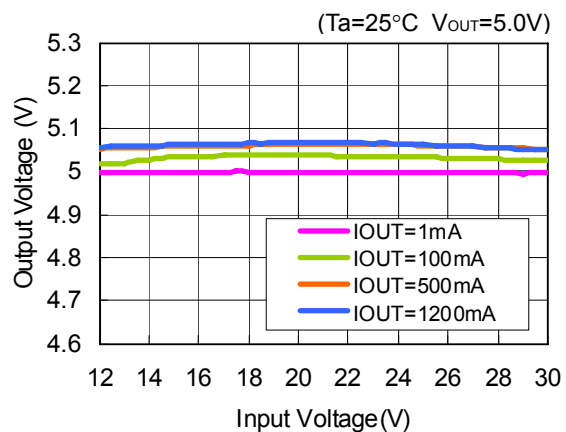
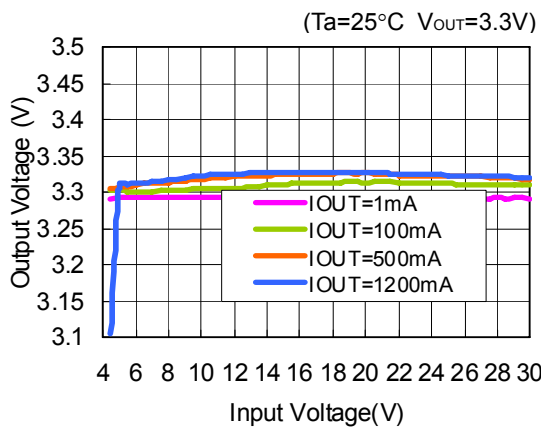
1) Output Voltage VS. Output Current
R1244N001B

R1244N001B



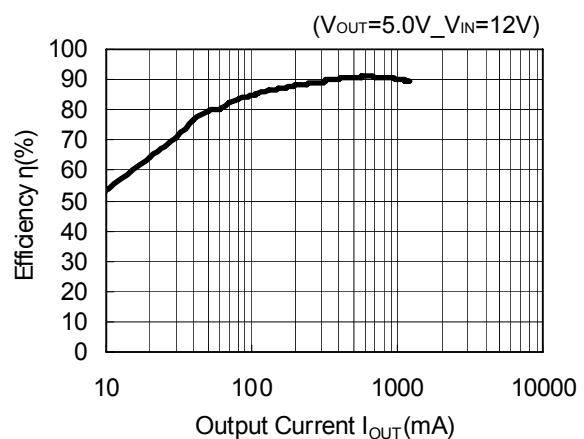
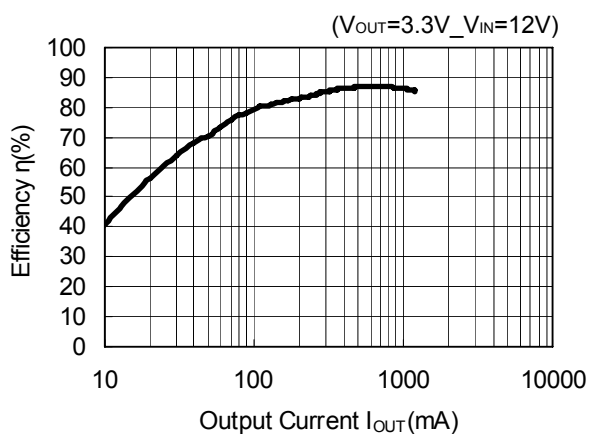
2) Output Voltage VS. Input Voltage
R1244N001B

R1244N001B

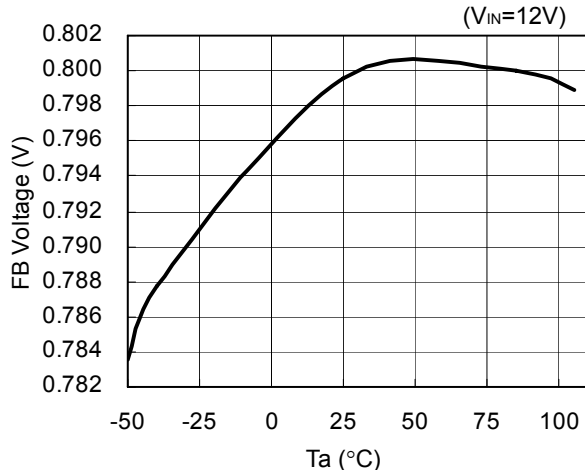


3) Efficiency VS. output Current
R1244N001B

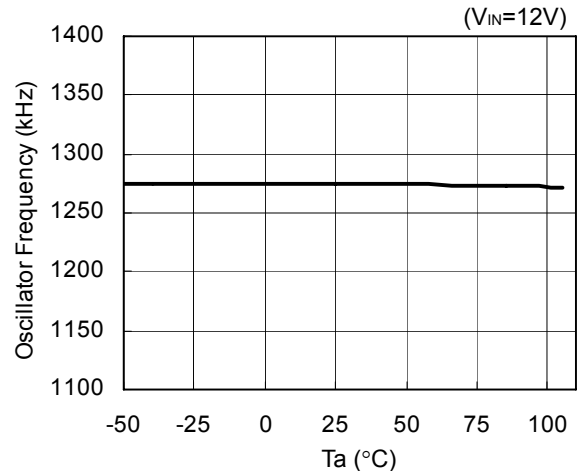
R1244N001B



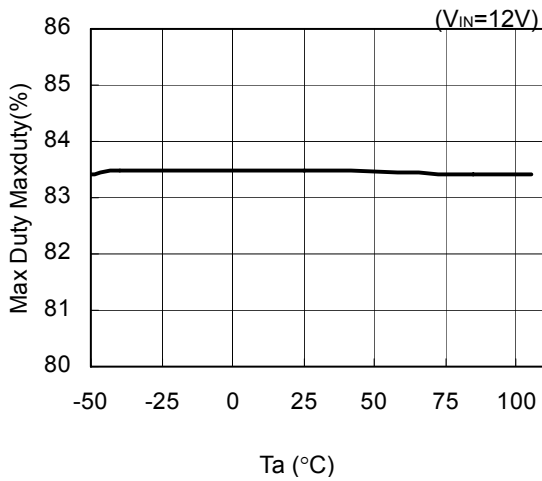
4) FB Voltage VS. Temperature
R1244N001B



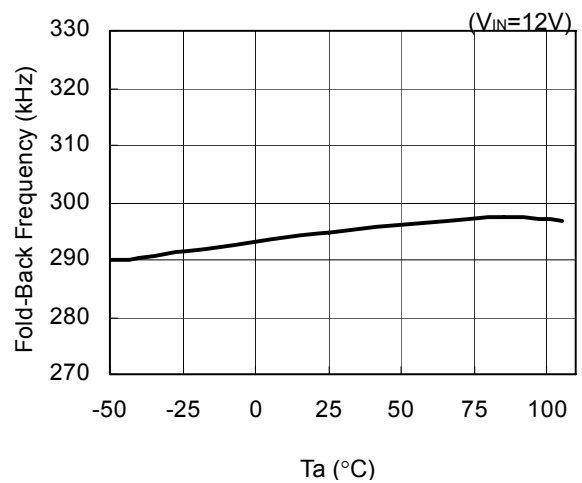
5) Oscillator Frequency VS. Temperature
R1244N001B



6) Maxduty VS. Temperature
R1244N001B



7) Fold-Back Frequency VS. Temperature
R1244N001B





1. The products and the product specifications described in this document are subject to change or discontinuation of production without notice for reasons such as improvement. Therefore, before deciding to use the products, please refer to Ricoh sales representatives for the latest information thereon.
2. The materials in this document may not be copied or otherwise reproduced in whole or in part without prior written consent of Ricoh.
3. Please be sure to take any necessary formalities under relevant laws or regulations before exporting or otherwise taking out of your country the products or the technical information described herein.
4. The technical information described in this document shows typical characteristics of and example application circuits for the products. The release of such information is not to be construed as a warranty of or a grant of license under Ricoh's or any third party's intellectual property rights or any other rights.
5. The products listed in this document are intended and designed for use as general electronic components in standard applications (office equipment, telecommunication equipment, measuring instruments, consumer electronic products, amusement equipment etc.). Those customers intending to use a product in an application requiring extreme quality and reliability, for example, in a highly specific application where the failure or misoperation of the product could result in human injury or death (aircraft, spacevehicle, nuclear reactor control system, traffic control system, automotive and transportation equipment, combustion equipment, safety devices, life support system etc.) should first contact us.
6. We are making our continuous effort to improve the quality and reliability of our products, but semiconductor products are likely to fail with certain probability. In order to prevent any injury to persons or damages to property resulting from such failure, customers should be careful enough to incorporate safety measures in their design, such as redundancy feature, firecontainment feature and fail-safe feature. We do not assume any liability or responsibility for any loss or damage arising from misuse or inappropriate use of the products.
7. Anti-radiation design is not implemented in the products described in this document.
8. Please contact Ricoh sales representatives should you have any questions or comments concerning the products or the technical information.

RICOH COMPANY., LTD. Electronic Devices Company



■ Ricoh presented with the Japan Management Quality Award for 1999.
Ricoh continually strives to promote customer satisfaction, and shares the achievements of its management quality improvement program with people and society.



■ Ricoh awarded ISO 14001 certification.
The Ricoh Group was awarded ISO 14001 certification, which is an international standard for environmental management systems, at both its domestic and overseas production facilities. Our current aim is to obtain ISO 14001 certification for all of our business offices.

<http://www.ricoh.com/LSI/>

RICOH COMPANY, LTD. Electronic Devices Company

● Higashi-Shinagawa Office (International Sales)
3-32-3, Higashi-Shinagawa, Shinagawa-ku, Tokyo 140-8655, Japan
Phone: +81-3-5479-2857 Fax: +81-3-5479-0502

RICOH EUROPE (NETHERLANDS) B.V.

● Semiconductor Support Centre
Prof. W.H.Keesomlaan 1, 1183 DL Amstelveen, The Netherlands
P.O.Box 114, 1180 AC Amstelveen
Phone: +31-20-5474-309 Fax: +31-20-5474-791

RICOH ELECTRONIC DEVICES KOREA Co., Ltd.

11 floor, Haesung 1 building, 942, Daechidong, Gangnamgu, Seoul, Korea
Phone: +82-2-2135-5700 Fax: +82-2-2135-5705

RICOH ELECTRONIC DEVICES SHANGHAI Co., Ltd.

Room403, No.2 Building, 690#Bi Bo Road, Pu Dong New district, Shanghai 201203,
People's Republic of China
Phone: +86-21-5027-3200 Fax: +86-21-5027-3299

RICOH COMPANY, LTD. Electronic Devices Company

● Taipei office
Room109, 10F-1, No.51, Hengyang Rd., Taipei City, Taiwan (R.O.C.)
Phone: +886-2-2313-1621/1622 Fax: +886-2-2313-1623



Ricoh completed the organization of the Lead-free production for all of our products. After Apr. 1, 2006, we will ship out the lead free products only. Thus, all products that will be shipped from now on comply with RoHS Directive.