

**HUSKY ELECTRONIC**

Dr. Volker Commichau  
Grünepleisstr. 45  
D-52159 Roetgen



**DESIGN CENTER**

Tel.: +49 2471 2995  
Mobil 0160 59 73 094  
vcommichau@gmx.de

26.07.2003

### **Kenwood R-2000 Modification for DRM**

Receive Mode : FM

RF Gain setting: manual mode, adjusted to 6-8 depending on the station signal

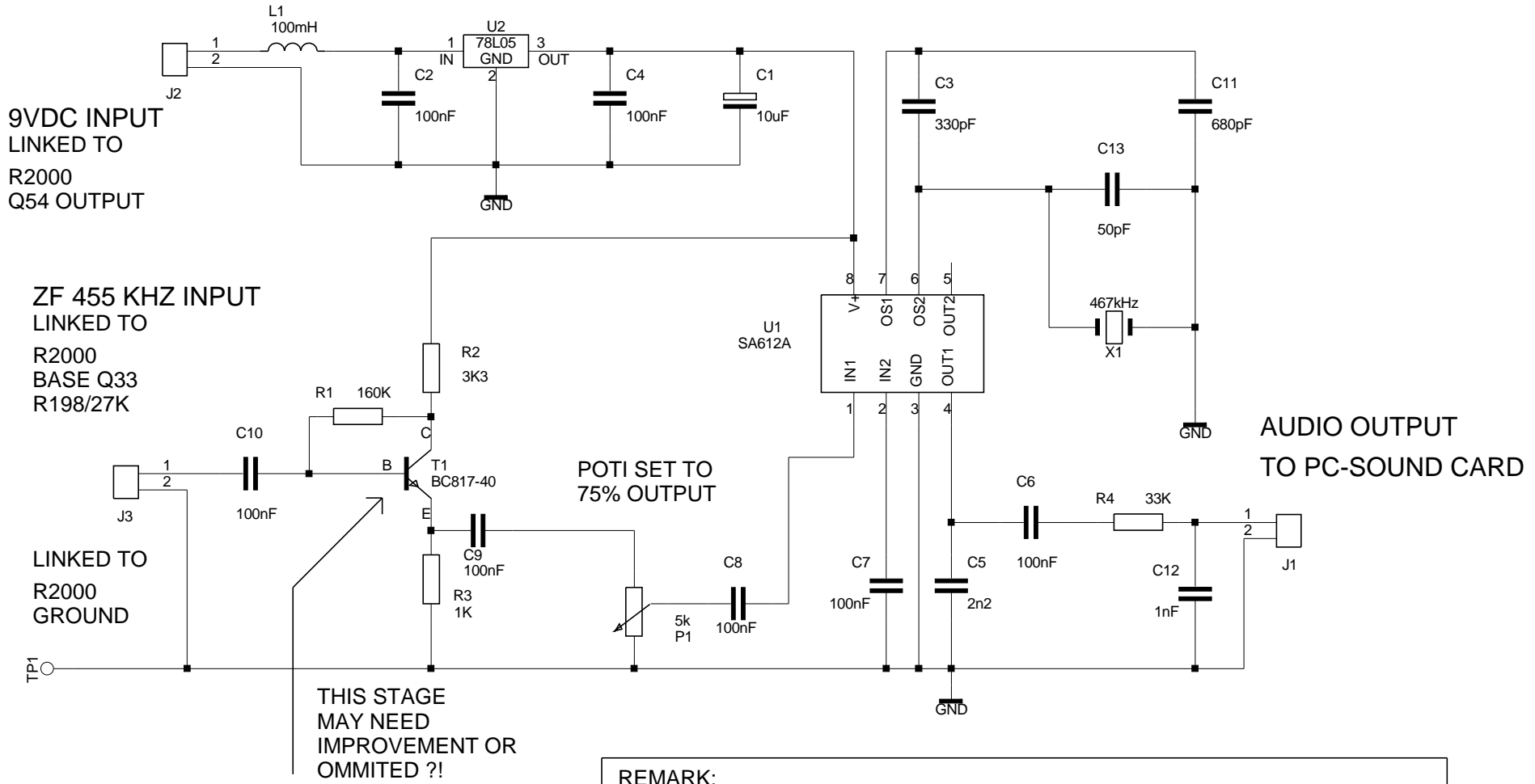
Tested at Roetgen/Germany (near Aachen)

DRM Station received:

Deutsches Welle Sines/Portugal (900km), reception quality: 1-2

Deutsche Welle Jülich/Germany (30km), reception quality: 3

# DRM-MIXER FOR KENWOOD R2000 (RECEIVE MODE SET TO FM !)



REMARK:

WITH THIS MODIFICATION A VERY GOOD RECEIPT OF DEUTSCHE WELLE SINES/PORTUGAL (900KM) WAS POSSIBLE BUT RECEIPT OF DEUTSCHE WELLE GERMANY/J• LICH WAS BAD, EVEN THE DISTANCE WAS ONLY 30KM!

|   |                  |                  |
|---|------------------|------------------|
| REV: A                                  | DATE: 02.02.2003 | ENG: V.COMMICHAU |
| PROJECT: DRM MIXER                      |                  |                  |
| COMPANY: HUSKY ELECTRONIC DESIGN CENTER |                  |                  |
| ADDRESS: GRUENEPLEISTRASSE 45           |                  |                  |
| CITY: D-52159 ROETGEN                   |                  |                  |
| COUNTRY: GERMANY                        |                  |                  |
| FILE:DRMV01.SCH                         |                  |                  |
| INITIAL                                 | 10.12.2002       | PAGE: 1 OF: 1    |



