

\* R3111E (TO-92) is the discontinued product as of April, 2017.

# RICOH

## R3111x SERIES

---

### LOW VOLTAGE DETECTOR

---

NO.EA-056-170428

### OUTLINE

The R3111x series are CMOS-based voltage detector ICs with high detector threshold accuracy and ultra-low supply current, which can be operated at an extremely low voltage and is used for system reset as an example.

Each of these ICs consists of a voltage reference unit, a comparator, resistors for detector threshold setting, an output driver and a hysteresis circuit. The detector threshold is fixed with high accuracy internally and does not require any adjustment.

Three output types, Nch open drain "L" type, Nch open drain "H" type and CMOS type are available.

The R3111x Series are operable at a lower voltage than that for the Rx5VL series, and can be driven by a single battery.

Seven types of packages, TO-92, SOT-89, SOT-23-3, SOT-23-5, SC-82AB, SC-88A and SON1612-6 are available.

### FEATURES

- Supply Current ..... Typ. 0.8 $\mu$ A (-V<sub>DET</sub>=1.5V, V<sub>DD</sub>=-V<sub>DET</sub>-0.1V)
- Operating Voltage Range..... 0.7V to 10.0V (Ta=25°C)
- Detector Threshold Range..... 0.9V to 6.0V (0.1V steps)  
(For other voltages, please refer to MARK INFORMATION.)
- Detector Threshold Accuracy..... $\pm$ 2.0%
- Temperature-Drift Coefficient of Detector Threshold ..... Typ.  $\pm$ 100ppm/°C
- Output Types..... Nch Open Drain "L", Nch Open Drain "H", and CMOS
- Packages ..... SON1612-6, SC-82AB, SC-88A, SOT-23-3, SOT-23-5, SOT-89, TO-92

### APPLICATIONS

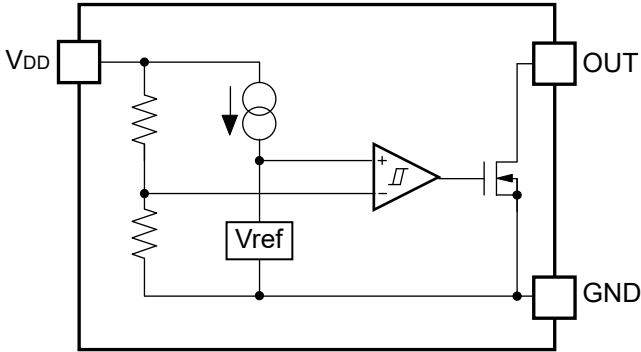
- CPU and Logic Circuit Reset
- Battery Checker
- Window Comparator
- Wave Shaping Circuit
- Battery Back-up Circuit
- Power Failure Detector

\* R3111E (TO-92) is the discontinued product as of April, 2017.

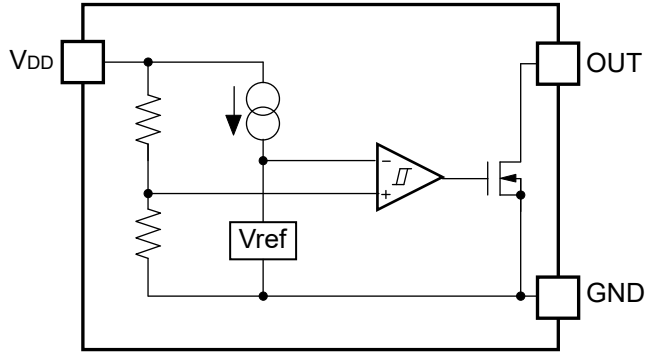
## R3111x

### BLOCK DIAGRAMS

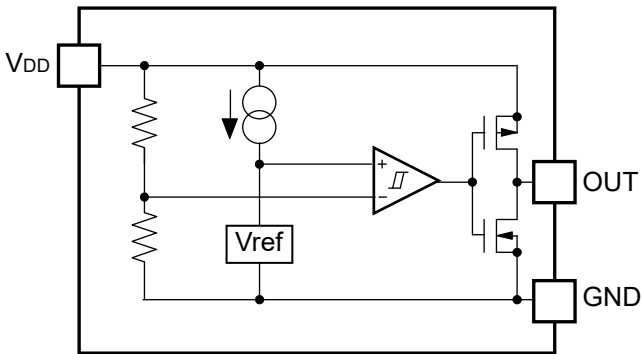
R3111xxxxA



R3111xxxxB



R3111xxxxC



## SELECTION GUIDE

The package type, the detector threshold, the output type and the taping type for the ICs can be selected at the users' request. The selection can be made with designating the part number as shown below;

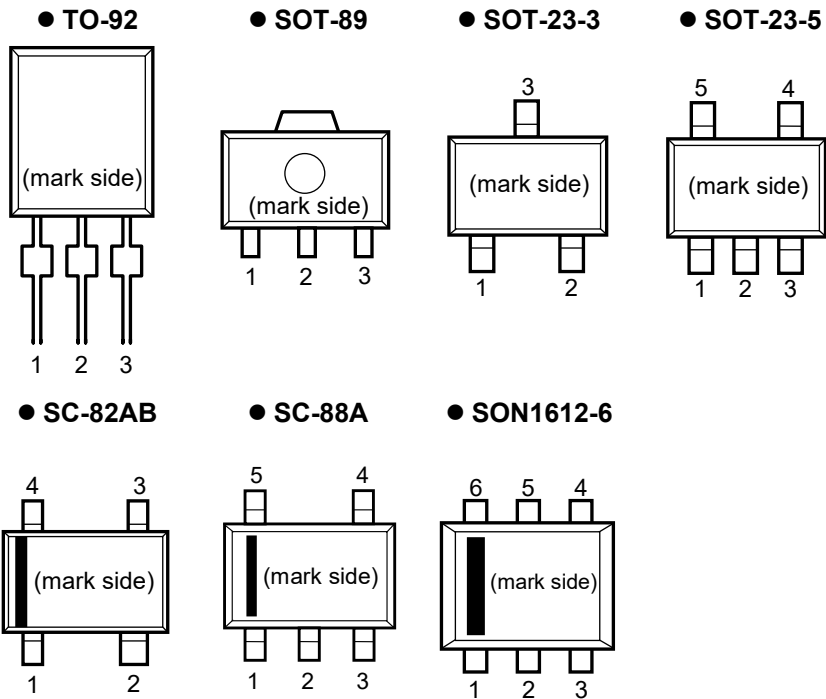
Product Name	Package	Quantity per Reel	Pb Free	Halogen Free
R3111Dxx1*-TR-FE	SON1612-6	4,000 pcs	Yes	Yes
R3111Qxx1*-TR-FE	SC-82AB	3,000 pcs	Yes	Yes
R3111Qxx2*-TR-FE	SC-88A	3,000 pcs	Yes	Yes
R3111Nxx1*-TR-FE	SOT-23-5	3,000 pcs	Yes	Yes
R3111Nxx2\$-TR-FE	SOT-23-3	3,000 pcs	Yes	Yes
R3111Hxx1\$-T1-FE	SOT-89	1,000 pcs	Yes	Yes
R3111Exx1\$-TZ-F	TO-92	2,500 pcs	Yes	No

xx: The detector threshold can be designated in the range from 0.9V(09) to 6.0V(60) in 0.1V steps.  
(For other voltages, please refer to MARK INFORMATIONS.)

\* : Designation of Output Type  
 (A) Nch Open Drain (Output "L" at Detection)  
 (B) Nch Open Drain (Output "H" at Detection)  
 (C) CMOS (Output "L" at Detection)

\$ : Designation of Output Type  
 (A) Nch Open Drain (Output "L" at Detection)  
 (C) CMOS (Output "L" at Detection)

## PIN CONFIGURATIONS



## PIN DESCRIPTIONS

### ● TO-92

Pin No.	Symbol
1	V <sub>DD</sub>
2	GND
3	OUT

### ● SOT-89

Pin No.	Symbol
1	OUT
2	V <sub>DD</sub>
3	GND

### ● SOT-23-3

Pin No.	Symbol
1	OUT
2	GND
3	V <sub>DD</sub>

### ● SOT-23-5

Pin No.	Symbol
1	OUT
2	V <sub>DD</sub>
3	GND
4	NC
5	NC

### ● SC-82AB

Pin No.	Symbol
1	OUT
2	V <sub>DD</sub>
3	NC
4	GND

### ● SC-88A

Pin No.	Symbol
1	OUT
2*	NC
3	V <sub>DD</sub>
4	NC
5	GND

### ● SON1612-6

Pin No.	Symbol
1	OUT
2	V <sub>DD</sub>
3	GND
4	NC
5	V <sub>DD</sub>
6	NC

\* Pin No. 2 is connected to the bottom of the IC. It is recommended that the pin be connected to the V<sub>DD</sub> pin on the board, or otherwise be left floating so that there is no contact with other potentials.

## ABSOLUTE MAXIMUM RATINGS

Symbol	Item	Rating	Unit
$V_{DD}$	Supply Voltage	12	V
$V_{OUT}$	Output Voltage (CMOS)	$V_{SS}-0.3$ to $V_{DD}+0.3$	V
	Output Voltage (Nch)	$V_{SS}-0.3$ to 12	
$I_{OUT}$	Output Current	70	mA
$P_D$	Power Dissipation (TO-92)*	300	mW
	Power Dissipation (SOT-89)*	900	
	Power Dissipation (SOT-23-3)*	420	
	Power Dissipation (SOT-23-5)*	420	
	Power Dissipation (SC-82AB)*	380	
	Power Dissipation (SC-88A)*	380	
	Power Dissipation (SON1612-6)*	500	
$T_a$	Operating Temperature Range	-40 to 85	°C
$T_{stg}$	Storage Temperature Range	-55 to 125	°C

\* ) For Power Dissipation, please refer to PACKAGE INFORMATION.

### ABSOLUTE MAXIMUM RATINGS

Electronic and mechanical stress momentarily exceeded absolute maximum ratings may cause the permanent damages and may degrade the life time and safety for both device and system using the device in the field. The functional operation at or over these absolute maximum ratings is not assured.

### RECOMMENDED OPERATING CONDITIONS (ELECTRICAL CHARACTERISTICS)

All of electronic equipment should be designed that the mounted semiconductor devices operate within the recommended operating conditions. The semiconductor devices cannot operate normally over the recommended operating conditions, even if when they are used over such conditions by momentary electronic noise or surge. And the semiconductor devices may receive serious damage when they continue to operate over the recommended operating conditions.

## R3111x

# ELECTRICAL CHARACTERISTICS

• R3111xxxxA

Ta=25°C

Symbol	Item	Conditions		Min.	Typ.	Max.	Unit
$-V_{DET}$	Detector Threshold			$-V_{DET}$ $\times 0.98$		$-V_{DET}$ $\times 1.02$	V
$V_{HYS}$	Detector Threshold Hysteresis			$-V_{DET}$ $\times 0.03$	$-V_{DET}$ $\times 0.05$	$-V_{DET}$ $\times 0.07$	V
$I_{SS}$	Supply Current	$0.9V \leq -V_{DET} < 2.0V$	$V_{DD}=-V_{DET} -0.10V$		0.8	2.4	$\mu A$
			$V_{DD}=-V_{DET} +2.0V$		1.0	3.0	
		$2.0V \leq -V_{DET} < 3.0V$	$V_{DD}=-V_{DET} -0.10V$		0.9	2.7	
			$V_{DD}=-V_{DET} +2.0V$		1.1	3.3	
		$3.0V \leq -V_{DET} < 4.0V$	$V_{DD}=-V_{DET} -0.13V$		1.0	3.0	
			$V_{DD}=-V_{DET} +2.0V$		1.2	3.6	
		$4.0V \leq -V_{DET} < 5.0V$	$V_{DD}=-V_{DET} -0.16V$		1.1	3.3	
			$V_{DD}=-V_{DET} +2.0V$		1.3	3.9	
$5.0V \leq -V_{DET} \leq 6.0V$	$V_{DD}=-V_{DET} -0.20V$		1.2	3.6			
	$V_{DD}=-V_{DET} +2.0V$		1.4	4.2			
$V_{DDH}$	Maximum Operating Voltage					10	V
$V_{DDL}$	Minimum Operating Voltage*1	Ta=25°C			0.55	0.70	V
		$-40^{\circ}C \leq Ta \leq 85^{\circ}C$			0.65	0.80	
$I_{OUT}$	Output Current (Driver Output Pin)	Nch	$V_{DS}=0.05V, V_{DD}=0.70V$		0.01	0.05	$mA$
			$0.9V \leq -V_{DET} < 1.1V$	$V_{DS}=0.50V$ $V_{DD}=0.85V$	0.05	0.5	
			$1.1V \leq -V_{DET} < 1.6V$	$V_{DS}=0.50V$ $V_{DD}=1.00V$	0.2	1.0	
			$1.6V \leq -V_{DET} \leq 6.0V$	$V_{DS}=0.50V$ $V_{DD}=1.50V$	1.0	2.0	
$t_{PLH}$	Output Delay Time*2					100	$\mu s$
$\frac{\Delta-V_{DET}}{\Delta Ta}$	Detector Threshold Temperature Coefficient	$-40^{\circ}C \leq Ta \leq 85^{\circ}C$			$\pm 100$		$\frac{ppm}{^{\circ}C}$

\*1: Minimum operating voltage means the value of input voltage when output voltage maintains 0.1V or less. (In the case of the output pin is pulled up with a resistance of 470k $\Omega$  to 5.0V.)

\*2: The output pin is pulled up with a resistance of 470k $\Omega$  to 5.0V, the time interval between the rising edge of  $V_{DD}$  input pulse from 0.7V to  $(+V_{DET}) + \square 2.0V$  and output voltage level becoming to 2.5V.

\* R3111E (TO-92) is the discontinued product as of April, 2017.

R3111x

● R3111xxxxB

Ta=25°C

Symbol	Item	Conditions		Min.	Typ.	Max.	Unit
$-V_{DET}$	Detector Threshold			$-V_{DET}$ $\times 0.98$		$-V_{DET}$ $\times 1.02$	V
$V_{HYS}$	Detector Threshold Hysteresis			$-V_{DET}$ $\times 0.03$	$-V_{DET}$ $\times 0.05$	$-V_{DET}$ $\times 0.07$	V
$I_{SS}$	Supply Current	$0.9V \leq -V_{DET} < 2.0V$	$V_{DD} = -V_{DET} - 0.10V$		0.8	2.4	$\mu A$
			$V_{DD} = -V_{DET} + 2.0V$		1.0	3.0	
		$2.0V \leq -V_{DET} < 3.0V$	$V_{DD} = -V_{DET} - 0.10V$		0.9	2.7	
			$V_{DD} = -V_{DET} + 2.0V$		1.1	3.3	
		$3.0V \leq -V_{DET} < 4.0V$	$V_{DD} = -V_{DET} - 0.13V$		1.0	3.0	
			$V_{DD} = -V_{DET} + 2.0V$		1.2	3.6	
		$4.0V \leq -V_{DET} < 5.0V$	$V_{DD} = -V_{DET} - 0.16V$		1.1	3.3	
			$V_{DD} = -V_{DET} + 2.0V$		1.3	3.9	
$5.0V \leq -V_{DET} \leq 6.0V$	$V_{DD} = -V_{DET} - 0.20V$		1.2	3.6			
	$V_{DD} = -V_{DET} + 2.0V$		1.4	4.2			
$V_{DDH}$	Maximum Operating Voltage					10	V
$V_{DDL}$	Minimum Operating Voltage*1	Ta=25°C			0.55	0.70	V
		$-40^\circ C \leq Ta \leq 85^\circ C$			0.65	0.80	
$I_{OUT}$	Output Current (Driver Output Pin)	Nch	$V_{DS} = 0.10V, V_{DD} = 6.5V$	2.5			mA
$t_{PLH}$	Output Delay Time*2					100	$\mu s$
$\frac{\Delta -V_{DET}}{\Delta Ta}$	Detector Threshold Temperature Coefficient	$-40^\circ C \leq Ta \leq 85^\circ C$			$\pm 100$		ppm/ $^\circ C$

\*1: Minimum operating voltage means the value of input voltage when output voltage maintains 0.1V or less. (In the case of the output pin is pulled up with a resistance of 470k $\Omega$  to 5.0V.)

\*2: The output pin is pulled up with a resistance of 470k $\Omega$  to 5.0V, the time interval between the rising edge of  $V_{DD}$  input pulse from 0.7V to  $(+V_{DET}) + \square 2.0V$  and output voltage level becoming to 2.5V.

\* R3111E (TO-92) is the discontinued product as of April, 2017.

## R3111x

### • R3111xxxxC

Ta=25°C

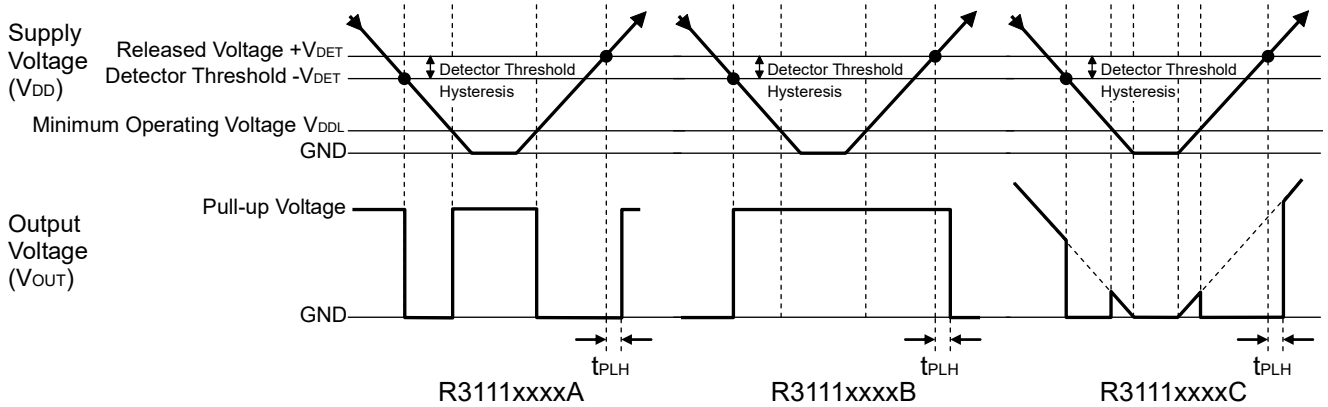
Symbol	Item	Conditions	Min.	Typ.	Max.	Unit		
$-V_{DET}$	Detector Threshold		$-V_{DET}$ $\times 0.98$		$-V_{DET}$ $\times 1.02$	V		
$V_{HYS}$	Detector Threshold Hysteresis		$-V_{DET}$ $\times 0.03$	$-V_{DET}$ $\times 0.05$	$-V_{DET}$ $\times 0.07$	V		
$I_{SS}$	Supply Current	$0.9V \leq -V_{DET} < 2.0V$	$V_{DD} = -V_{DET} - 0.10V$		0.8	2.4	$\mu A$	
			$V_{DD} = -V_{DET} + 2.0V$		1.0	3.0		
		$2.0V \leq -V_{DET} < 3.0V$	$V_{DD} = -V_{DET} - 0.10V$		0.9	2.7		
			$V_{DD} = -V_{DET} + 2.0V$		1.1	3.3		
		$3.0V \leq -V_{DET} < 4.0V$	$V_{DD} = -V_{DET} - 0.13V$		1.0	3.0		
			$V_{DD} = -V_{DET} + 2.0V$		1.2	3.6		
		$4.0V \leq -V_{DET} < 5.0V$	$V_{DD} = -V_{DET} - 0.16V$		1.1	3.3		
			$V_{DD} = -V_{DET} + 2.0V$		1.3	3.9		
$5.0V \leq -V_{DET} \leq 6.0V$	$V_{DD} = -V_{DET} - 0.20V$		1.2	3.6				
	$V_{DD} = -V_{DET} + 2.0V$		1.4	4.2				
$V_{DDH}$	Maximum Operating Voltage				10	V		
$V_{DDL}$	Minimum Operating Voltage*1	Ta=25°C		0.55	0.70	V		
		$-40^\circ C \leq Ta \leq 85^\circ C$		0.65	0.80			
$I_{OUT}$	Output Current (Driver Output Pin)	Nch	$V_{DS} = 0.05V, V_{DD} = 0.70V$	0.01	0.05	$mA$		
			$0.9V \leq -V_{DET} < 1.1V$	$V_{DS} = 0.50V$ $V_{DD} = 0.85V$	0.05		0.5	
			$1.1V \leq -V_{DET} < 1.6V$	$V_{DS} = 0.50V$ $V_{DD} = 1.00V$	0.2		1.0	
			$1.6V \leq -V_{DET} \leq 6.0V$	$V_{DS} = 0.50V$ $V_{DD} = 1.50V$	1.0		2.0	
		Pch	$0.9V \leq -V_{DET} < 4.0V$	$V_{DS} = -2.1V$ $V_{DD} = 4.5V$	1.0	2.0	$mA$	
			$4.0V \leq -V_{DET} \leq 6.0V$	$V_{DS} = -2.1V$ $V_{DD} = 8.0V$	1.5	3.0		
$t_{PLH}$	Output Delay Time*2				100	$\mu s$		
$\frac{\Delta -V_{DET}}{\Delta Ta}$	Detector Threshold Temperature Coefficient	$-40^\circ C \leq Ta \leq 85^\circ C$		$\pm 100$		ppm/ $^\circ C$		

\*1: Minimum operating voltage means the value of input voltage when output voltage maintains 0.1V or less.

\*2: The time interval between the rising edge of  $V_{DD}$  input pulse from 0.7V to  $(+V_{DET}) + \square 2.0V$  and output voltage level becoming to  $((+V_{DET}) + 2.0V) / 2$ .



## TIMING CHART



## DEFINITION OF OUTPUT DELAY TIME

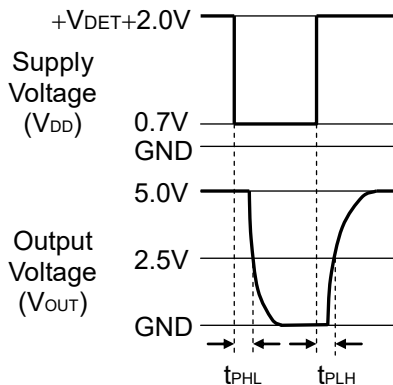
Output Delay Time ( $t_{PLH}$ ) is defined as follows:

1. In the case of Nch Open Drain Output:(R3111xxxxA/B)

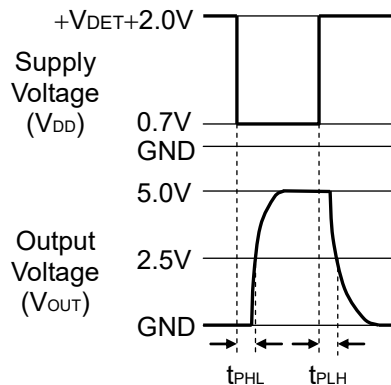
Under the condition of the output pin (OUT) is pulled up through a resistor of 470k $\Omega$  to 5V, the time interval between the rising edge of  $V_{DD}$  pulse from 0.7V to  $(+V_{DET})+2.0V$  and becoming of the output voltage to 2.5V.

2. In the case of CMOS Output:(R3111xxxxC)

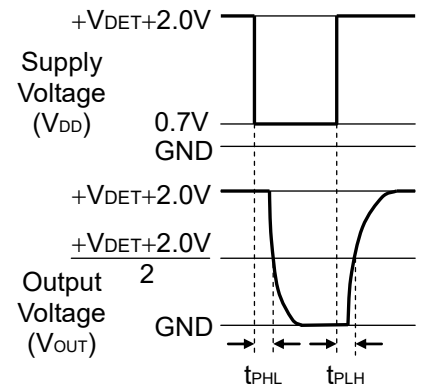
The time interval between the rising edge of  $V_{DD}$  pulse from 0.7V to  $(+V_{DET})+2.0V$  and becoming of the output voltage to  $((+V_{DET})+2.0V)/2$ .



Nch Open Drain Output  
(R3111xxxxA)



Nch Open Drain Output  
(R3111xxxxB)



CMOS Output  
(R3111xxxxC)

\* R3111E (TO-92) is the discontinued product as of April, 2017.

## R3111x

# ELECTRICAL CHARACTERISTICS BY DETECTOR THRESHOLD

### • R3111x09x to R3111x60x

Part Number	Detector Threshold			Detector Threshold Hysteresis			Supply Current 1			Supply Current 2																																				
	-V <sub>DET</sub> [V]			V <sub>HYS</sub> [V]			I <sub>SS1</sub> [μA]			I <sub>SS2</sub> [μA]																																				
	Min.	Typ.	Max.	Min.	Typ.	Max.	Condition	Typ.	Max.	Condition	Typ.	Max.																																		
R3111x09xx	0.882	0.900	0.918	0.027	0.045	0.063	V <sub>DD</sub> = (-V <sub>DET</sub> ) -0.10V	0.8	2.4	1.0	0.9	2.7																																		
R3111x10xx	0.980	1.000	1.020	0.030	0.050	0.070					0.9	2.7	1.1	3.3																																
R3111x11xx	1.078	1.100	1.122	0.033	0.055	0.077									V <sub>DD</sub> = (-V <sub>DET</sub> ) -0.13V	1.0	3.0	1.2	3.6																											
R3111x12xx	1.176	1.200	1.224	0.036	0.060	0.084														1.1	3.3	1.3	3.9																							
R3111x13xx	1.274	1.300	1.326	0.039	0.065	0.091																		V <sub>DD</sub> = (-V <sub>DET</sub> ) -0.16V	1.1	3.3	1.3	3.9																		
R3111x14xx	1.372	1.400	1.428	0.042	0.070	0.098																							1.2	3.6	1.4	4.2														
R3111x15xx	1.470	1.500	1.530	0.045	0.075	0.105																											V <sub>DD</sub> = (-V <sub>DET</sub> ) -0.20V	1.2	3.6	1.4	4.2									
R3111x16xx	1.568	1.600	1.632	0.048	0.080	0.112																																1.2	3.6	1.4	4.2					
R3111x17xx	1.666	1.700	1.734	0.051	0.085	0.119																																				1.2	3.6	1.4	4.2	
R3111x18xx	1.764	1.800	1.836	0.054	0.090	0.126																																								1.2
R3111x19xx	1.862	1.900	1.938	0.057	0.095	0.133		1.2	3.6	1.4																																				
R3111x20xx	1.960	2.000	2.040	0.060	0.100	0.140					1.2	3.6	1.4	4.2																																
R3111x21xx	2.058	2.100	2.142	0.063	0.105	0.147										1.2	3.6	1.4	4.2																											
R3111x22xx	2.156	2.200	2.244	0.066	0.110	0.154														1.2	3.6	1.4	4.2																							
R3111x23xx	2.254	2.300	2.346	0.069	0.115	0.161																			1.2	3.6	1.4	4.2																		
R3111x24xx	2.352	2.400	2.448	0.072	0.120	0.168																							1.2	3.6	1.4	4.2														
R3111x25xx	2.450	2.500	2.550	0.075	0.125	0.175																												1.2	3.6	1.4	4.2									
R3111x26xx	2.548	2.600	2.652	0.078	0.130	0.182																																1.2	3.6	1.4	4.2					
R3111x27xx	2.646	2.700	2.754	0.081	0.135	0.189																																				1.2	3.6	1.4	4.2	
R3111x28xx	2.744	2.800	2.856	0.084	0.140	0.196																																								1.2
R3111x29xx	2.842	2.900	2.958	0.087	0.145	0.203	1.2	3.6	1.4	4.2																																				
R3111x30xx	2.940	3.000	3.060	0.090	0.150	0.210					1.2	3.6	1.4	4.2																																
R3111x31xx	3.038	3.100	3.162	0.093	0.155	0.217									1.2	3.6	1.4	4.2																												
R3111x32xx	3.136	3.200	3.264	0.096	0.160	0.224													1.2	3.6	1.4	4.2																								
R3111x33xx	3.234	3.300	3.366	0.099	0.165	0.231																	1.2	3.6	1.4	4.2																				
R3111x34xx	3.332	3.400	3.468	0.102	0.170	0.238																					1.2	3.6	1.4	4.2																
R3111x35xx	3.430	3.500	3.570	0.105	0.175	0.245																									1.2	3.6	1.4	4.2												
R3111x36xx	3.528	3.600	3.672	0.108	0.180	0.252																													1.2	3.6	1.4	4.2								
R3111x37xx	3.626	3.700	3.774	0.111	0.185	0.259																																	1.2	3.6	1.4	4.2				
R3111x38xx	3.724	3.800	3.876	0.114	0.190	0.266																																					1.2	3.6	1.4	4.2
R3111x39xx	3.822	3.900	3.978	0.117	0.195	0.273	1.2	3.6	1.4	4.2																																				
R3111x40xx	3.920	4.000	4.080	0.120	0.200	0.280					1.2	3.6	1.4	4.2																																
R3111x41xx	4.018	4.100	4.182	0.123	0.205	0.287									1.2	3.6	1.4	4.2																												
R3111x42xx	4.116	4.200	4.284	0.126	0.210	0.294													1.2	3.6	1.4	4.2																								
R3111x43xx	4.214	4.300	4.386	0.129	0.215	0.301																	1.2	3.6	1.4	4.2																				
R3111x44xx	4.312	4.400	4.488	0.132	0.220	0.308																					1.2	3.6	1.4	4.2																
R3111x45xx	4.410	4.500	4.590	0.135	0.225	0.315																									1.2	3.6	1.4	4.2												
R3111x46xx	4.508	4.600	4.692	0.138	0.230	0.322																													1.2	3.6	1.4	4.2								
R3111x47xx	4.606	4.700	4.794	0.141	0.235	0.329																																	1.2	3.6	1.4	4.2				
R3111x48xx	4.704	4.800	4.896	0.144	0.240	0.336																																					1.2	3.6	1.4	4.2
R3111x49xx	4.802	4.900	4.998	0.147	0.245	0.343	1.2	3.6	1.4	4.2																																				
R3111x50xx	4.900	5.000	5.100	0.150	0.250	0.350					1.2	3.6	1.4	4.2																																
R3111x51xx	4.998	5.100	5.202	0.153	0.255	0.357									1.2	3.6	1.4	4.2																												
R3111x52xx	5.096	5.200	5.304	0.156	0.260	0.364													1.2	3.6	1.4	4.2																								
R3111x53xx	5.194	5.300	5.406	0.159	0.265	0.371																	1.2	3.6	1.4	4.2																				
R3111x54xx	5.292	5.400	5.508	0.162	0.270	0.378																					1.2	3.6	1.4	4.2																
R3111x55xx	5.390	5.500	5.610	0.165	0.275	0.385																									1.2	3.6	1.4	4.2												
R3111x56xx	5.488	5.600	5.712	0.168	0.280	0.392																													1.2	3.6	1.4	4.2								
R3111x57xx	5.586	5.700	5.814	0.171	0.285	0.399																																	1.2	3.6	1.4	4.2				
R3111x58xx	5.684	5.800	5.916	0.174	0.290	0.406																																					1.2	3.6	1.4	4.2
R3111x59xx	5.782	5.900	6.018	0.177	0.295	0.413	1.2	3.6	1.4	4.2																																				
R3111x60xx	5.880	6.000	6.120	0.180	0.300	0.420					1.2	3.6	1.4	4.2																																

\*1) In the case of CMOS output type; when the voltage is forced to V<sub>DD</sub> from 0.7V to (+V<sub>DET</sub>)+2.0V, time interval between the rising edge of V<sub>DD</sub> and the reaching point at ((+V<sub>DET</sub>)+2.0V)/2. In the case of Nch open drain output type : The output pin is pulled up to 5V through 470kΩ, and when the voltage is forced to V<sub>DD</sub> from 0.7V to (+V<sub>DET</sub>)+2.0V, time interval between the rising edge of V<sub>DD</sub> and the reaching point at ((+V<sub>DET</sub>)+2.0V)/2.

\*2) V<sub>DD</sub> value when Output Voltage is equal or less than 0.1V. In the case of Nch open drain output type, the output pin is pulled up to 5V through 470kΩ resistor.

Condition 1: Ta=25°C

Condition 2: -40°C ≤ Ta ≤ 85°C

\* R3111E (TO-92) is the discontinued product as of April, 2017.

R3111x

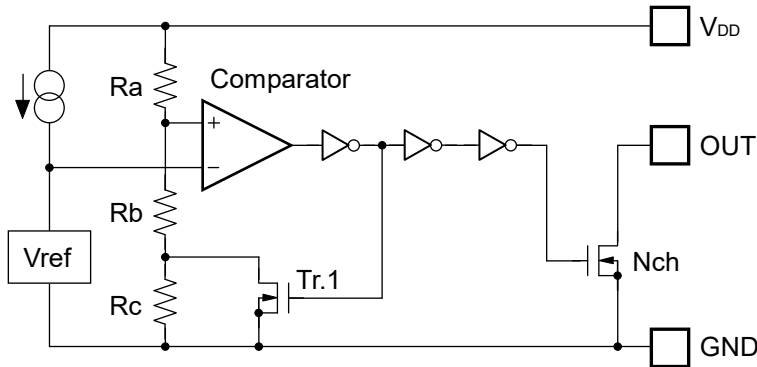
Output Current 1			Output Current 2 *3			Output Delay Time	Minimum Operating Voltage		Detector Threshold Temperature Coefficient		
I <sub>OUT1</sub> [mA]			I <sub>OUT2</sub> [mA]			t <sub>PLH</sub> [μs]	V <sub>DDL</sub> [V]		Δ-V <sub>DET</sub> /ΔT <sub>a</sub> [ppm/°C]		
Condition	Min.	Typ.	Condition	Min.	Typ.	Max.	Typ.	Max.	Condition	Typ.	
<A/C version> Nch V <sub>DS</sub> =0.05V V <sub>DD</sub> =0.7V	0.01	0.05	V <sub>DD</sub> =0.85V	0.05	0.5						
			V <sub>DD</sub> =1.0V	0.2	1.0						
<B version> Nch V <sub>DS</sub> =0.10V V <sub>DD</sub> =6.5V	2.5	-	Nch V <sub>DS</sub> =0.5V	V <sub>DD</sub> =1.5V	1.0	2.0	100 *1	*2 Condition 1 0.55	*2 Condition 1 0.70	-40°C ≦ T <sub>a</sub> ≦ 85°C	±100
								Condition 2 0.65	Condition 2 0.80		

\*3) Only A/C versions.

**R3111x**

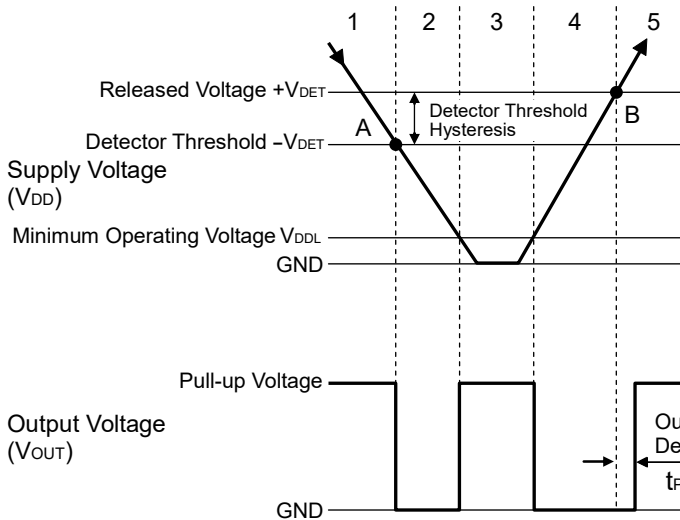
**OPERATION**

• **Operation of R3111xxxxA**



OUT pin should be pulled-up to V<sub>DD</sub> or an external voltage level.

**Block Diagram (R3111xxxxA)**



Step	1	2	3	4	5
Comparator (+) Pin Input Voltage	I	II	II	II	I
Comparator Output	H	L	Indefinite	L	H
Tr.1	OFF	ON	Indefinite	ON	OFF
Output Tr. Nch	OFF	ON	Indefinite	ON	OFF

$$I \quad \frac{R_b+R_c}{R_a+R_b+R_c} \times V_{DD}$$

$$II \quad \frac{R_b}{R_a+R_b} \times V_{DD}$$

**Operation Diagram**

• **Explanation of operation**

Step 1. The output voltage is equal to the pull-up voltage.

Step 2. At Point "A",  $V_{ref} \geq V_{DD} \times (R_b+R_c) / (R_a+R_b+R_c)$  is true, as a result, the output of comparator is reversed from "H" to "L", therefore the output voltage becomes the GND level. The voltage level of Point A means a detector threshold voltage ( $-V_{DET}$ ).

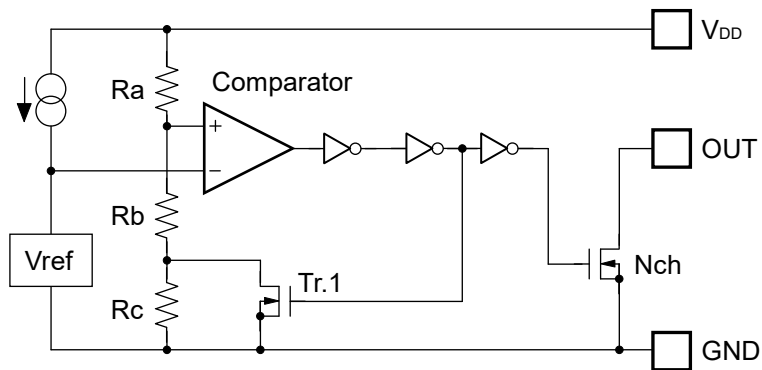
Step 3. When the supply voltage is lower than the minimum operating voltage, the operation of the output transistor becomes indefinite. The output voltage is equal to the pull-up voltage.

Step 4. The output Voltage is equal to the GND level.

Step 5. At Point "B",  $V_{ref} \leq V_{DD} \times R_b / (R_a+R_b)$  is true, as a result, the output of comparator is reversed from "L" to "H", then the output voltage is equal to the pull-up voltage. The voltage level of Point B means a released voltage ( $+V_{DET}$ ).

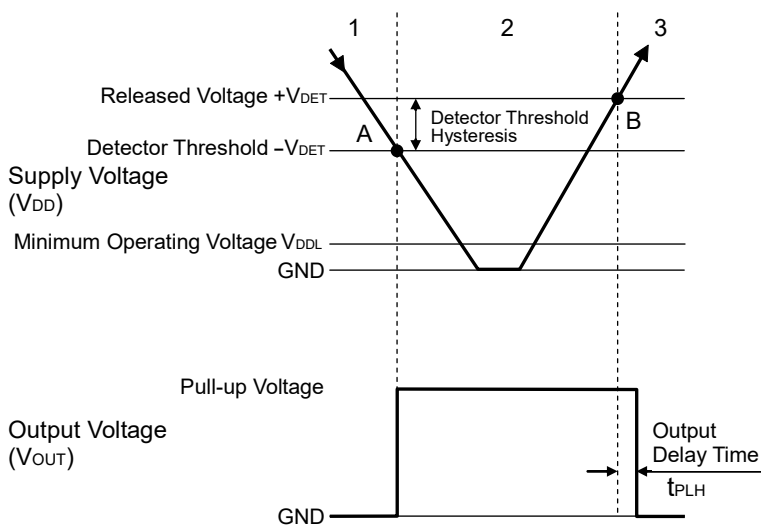
\*) The difference between a released voltage and a detector threshold voltage is a detector threshold hysteresis.

• Operation of R3111xxxxB



OUT pin should be pulled-up to V<sub>DD</sub> or an external voltage level.

Block Diagram (R3111xxxxB)



Step	1	2	3
Comparator (-) Pin Input Voltage	I	II	I
Comparator Output	L	H	L
Tr.1	OFF	ON	OFF
Output Tr. Nch	ON	OFF	ON

$$I \quad \frac{R_b+R_c}{R_a+R_b+R_c} \times V_{DD}$$

$$II \quad \frac{R_b}{R_a+R_b} \times V_{DD}$$

Operation Diagram

• Explanation of operation

Step 1. The output voltage is equal to the GND level.

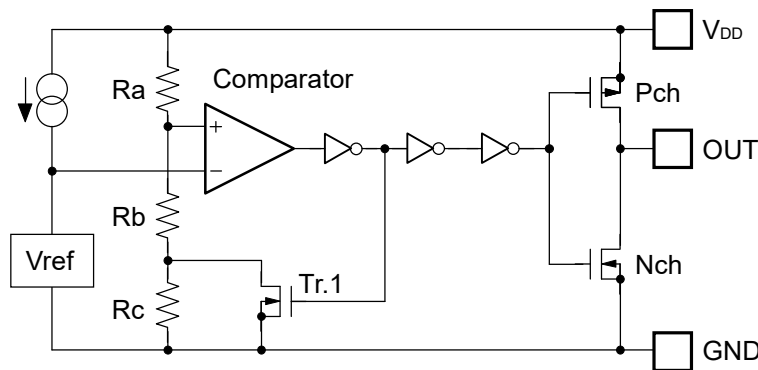
Step 2. At Point "A",  $V_{ref} \geq V_{DD} \times (R_b+R_c)/(R_a+R_b+R_c)$  is true, as a result, the output of comparator is reversed from "L" to "H", therefore the output voltage becomes the pull-up voltage. The voltage level of Point A means a detector threshold voltage ( $-V_{DET}$ ).

Step 3. At Point "B",  $V_{ref} \leq V_{DD} \times R_b/(R_a+R_b)$  is true, as a result, the output of comparator is reversed from "H" to "L", then the output voltage is equal to the GND level. The voltage level of Point B means a released voltage ( $+V_{DET}$ ).

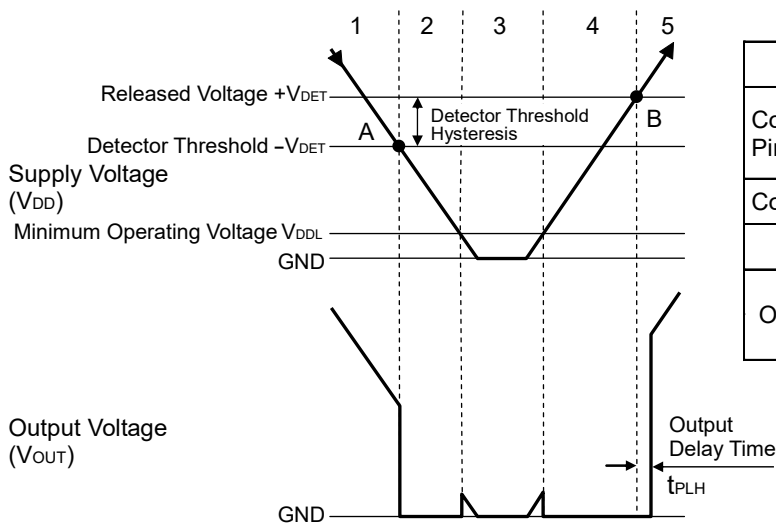
\*) The difference between a released voltage and a detector threshold voltage is a detector threshold hysteresis.

## R3111x

### • Operation of R3111xxxxC



Block Diagram (R3111xxxxC)



Step	1	2	3	4	5
Comparator (+) Pin Input Voltage	I	II	II	II	I
Comparator Output	H	L	Indefinite	L	H
Tr.1	OFF	ON	Indefinite	ON	OFF
Output Tr.	Pch	ON	OFF	Indefinite	OFF
	Nch	OFF	ON	Indefinite	ON

$$I \quad \frac{R_b + R_c}{R_a + R_b + R_c} \times V_{DD}$$

$$II \quad \frac{R_b}{R_a + R_b} \times V_{DD}$$

Operation Diagram

### • Explanation of operation

Step 1. The output voltage is equal to the supply voltage ( $V_{DD}$ ).

Step 2. At Point "A",  $V_{ref} \geq V_{DD} \times (R_b + R_c) / (R_a + R_b + R_c)$  is true, as a result, the output of comparator is reversed from "H" to "L", therefore the output voltage becomes the GND level. The voltage level of Point A means a detector threshold voltage ( $-V_{DET}$ ).

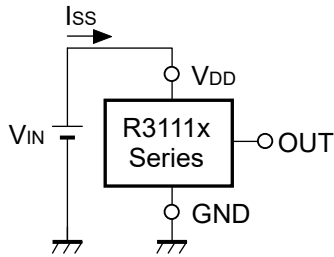
Step 3. When the supply voltage is lower than the minimum operating voltage, the operation of the output transistor becomes indefinite.

Step 4. The output Voltage is equal to the GND level.

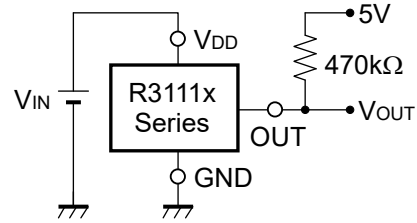
Step 5. At Point "B",  $V_{ref} \leq V_{DD} \times R_b / (R_a + R_b)$  is true, as a result, the output of comparator is reversed from "L" to "H", then the output voltage is equal to the supply voltage ( $V_{DD}$ ). The voltage level of Point B means a released voltage ( $+V_{DET}$ ).

\*) The difference between a released voltage and a detector threshold voltage is a detector threshold hysteresis.

## TEST CIRCUITS

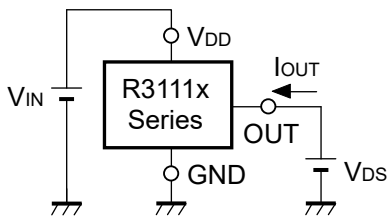


**Supply Current Test Circuit**

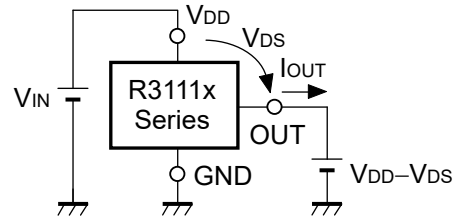


**Detector Threshold Test Circuit**

(Pull-up circuit is not necessary for CMOS Output type.)

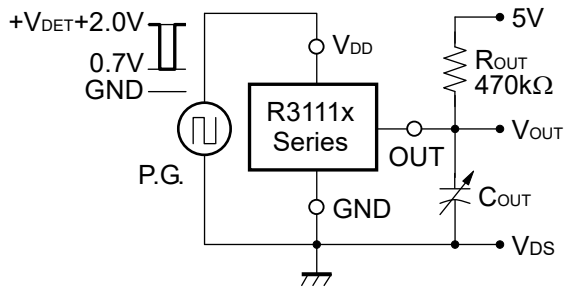


**Nch Driver Output Current Test Circuit**



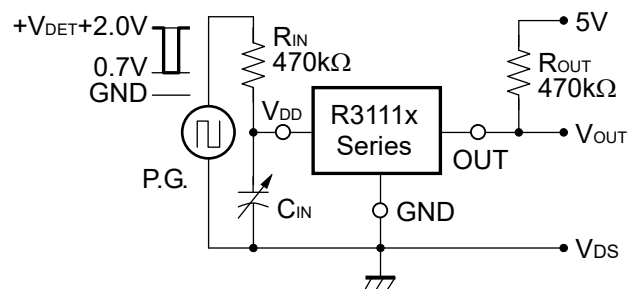
**Pch Driver Output Current Test Circuit**

\*Apply to CMOS Output type only



**Output Delay Time Test Circuit (1)**

(Pull-up circuit is not necessary for CMOS Output type.)



**Output Delay Time Test Circuit (2)**

**R3111x**

● **Power Dissipation (SON1612-6)**

Power Dissipation ( $P_D$ ) depends on conditions of mounting on board.  
This specification is based on the measurement at the condition below:

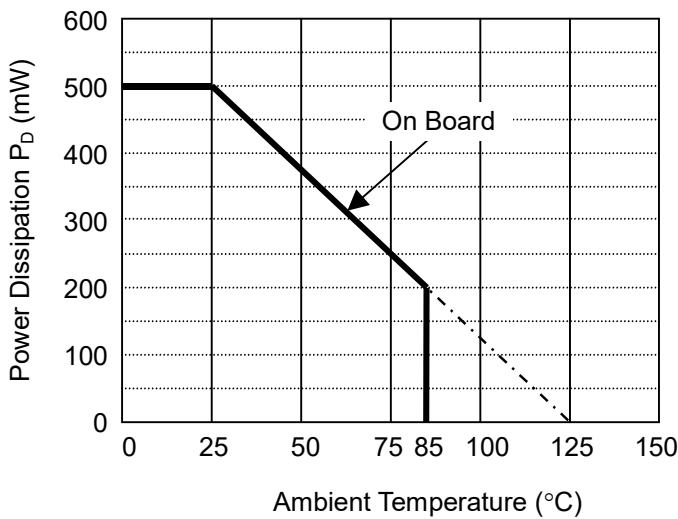
Measurement Conditions

	<b>Standard Land Pattern</b>
Environment	Mounting on Board (Wind velocity 0m/s)
Board Material	Glass cloth epoxy plastic (Double layers)
Board Dimensions	40mm × 40mm × 1.6mm
Copper Ratio	Top side: Approx. 50%, Back side: Approx. 50%
Through - hole	φ 0.5mm × 24pcs

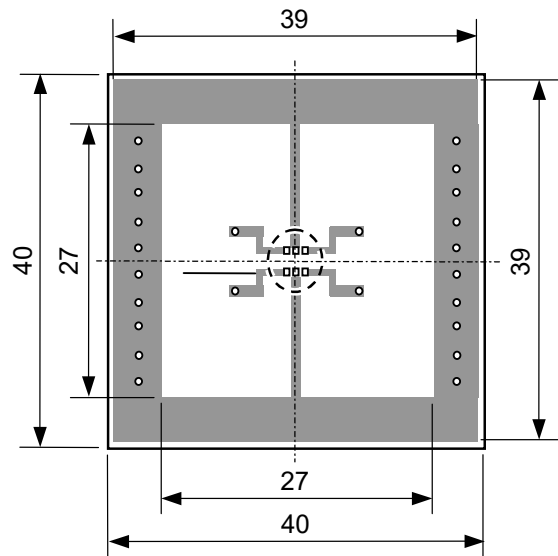
Measurement Results

( $T_a=25^\circ\text{C}$ ,  $T_{j\text{max}}=125^\circ\text{C}$ )

	<b>Standard Land Pattern</b>
Power Dissipation	500mW
Thermal Resistance	$\theta_{ja} = (125-25^\circ\text{C}) / 0.5\text{W} = 200^\circ\text{C/W}$



**SON1612-6 Power Dissipation**

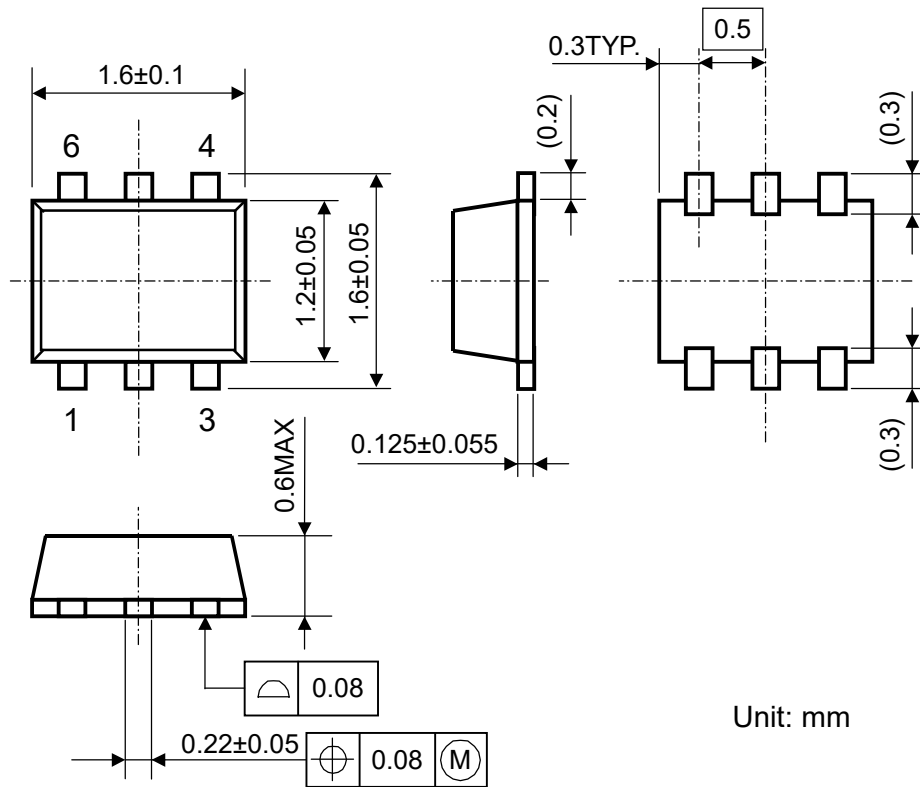


**Measurement Board Pattern**

○ IC Mount Area Unit : mm



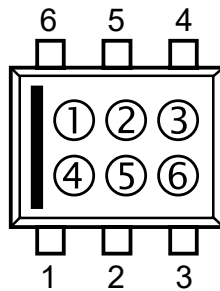
• Package Dimensions (SON1612-6)



• Mark Specification (SON1612-6)

①②③④ : Product Code ... **Refer to Mark Specification Table (SON1612-6).**

⑤⑥ : Lot No. .... Alphnumeric Serial Number



\* R3111E (TO-92) is the discontinued product as of April, 2017.

## R3111x

### • Marking Specification Table (SON1612-6)

R3111Dxx1A		R3111Dxx1C		R3111Dxx1B	
Part Number	①②③④	Part Number	①②③④	Part Number	①②③④
R3111D091A	<b>A09A</b>	R3111D091C	<b>A09C</b>	R3111D091B	<b>A09B</b>
R3111D101A	<b>A10A</b>	R3111D101C	<b>A10C</b>	R3111D101B	<b>A10B</b>
R3111D111A	<b>A11A</b>	R3111D111C	<b>A11C</b>	R3111D111B	<b>A11B</b>
R3111D121A	<b>A12A</b>	R3111D121C	<b>A12C</b>	R3111D121B	<b>A12B</b>
R3111D131A	<b>A13A</b>	R3111D131C	<b>A13C</b>	R3111D131B	<b>A13B</b>
R3111D141A	<b>A14A</b>	R3111D141C	<b>A14C</b>	R3111D141B	<b>A14B</b>
R3111D151A	<b>A15A</b>	R3111D151C	<b>A15C</b>	R3111D151B	<b>A15B</b>
R3111D161A	<b>A16A</b>	R3111D161C	<b>A16C</b>	R3111D161B	<b>A16B</b>
R3111D171A	<b>A17A</b>	R3111D171C	<b>A17C</b>	R3111D171B	<b>A17B</b>
R3111D181A	<b>A18A</b>	R3111D181C	<b>A18C</b>	R3111D181B	<b>A18B</b>
R3111D191A	<b>A19A</b>	R3111D191C	<b>A19C</b>	R3111D191B	<b>A19B</b>
R3111D201A	<b>A20A</b>	R3111D201C	<b>A20C</b>	R3111D201B	<b>A20B</b>
R3111D211A	<b>A21A</b>	R3111D211C	<b>A21C</b>	R3111D211B	<b>A21B</b>
R3111D221A	<b>A22A</b>	R3111D221C	<b>A22C</b>	R3111D221B	<b>A22B</b>
R3111D231A	<b>A23A</b>	R3111D231C	<b>A23C</b>	R3111D231B	<b>A23B</b>
R3111D241A	<b>A24A</b>	R3111D241C	<b>A24C</b>	R3111D241B	<b>A24B</b>
R3111D251A	<b>A25A</b>	R3111D251C	<b>A25C</b>	R3111D251B	<b>A25B</b>
R3111D261A	<b>A26A</b>	R3111D261C	<b>A26C</b>	R3111D261B	<b>A26B</b>
R3111D271A	<b>A27A</b>	R3111D271C	<b>A27C</b>	R3111D271B	<b>A27B</b>
R3111D281A	<b>A28A</b>	R3111D281C	<b>A28C</b>	R3111D281B	<b>A28B</b>
R3111D291A	<b>A29A</b>	R3111D291C	<b>A29C</b>	R3111D291B	<b>A29B</b>
R3111D301A	<b>A30A</b>	R3111D301C	<b>A30C</b>	R3111D301B	<b>A30B</b>
R3111D311A	<b>A31A</b>	R3111D311C	<b>A31C</b>	R3111D311B	<b>A31B</b>
R3111D321A	<b>A32A</b>	R3111D321C	<b>A32C</b>	R3111D321B	<b>A32B</b>
R3111D331A	<b>A33A</b>	R3111D331C	<b>A33C</b>	R3111D331B	<b>A33B</b>
R3111D341A	<b>A34A</b>	R3111D341C	<b>A34C</b>	R3111D341B	<b>A34B</b>
R3111D351A	<b>A35A</b>	R3111D351C	<b>A35C</b>	R3111D351B	<b>A35B</b>
R3111D361A	<b>A36A</b>	R3111D361C	<b>A36C</b>	R3111D361B	<b>A36B</b>
R3111D371A	<b>A37A</b>	R3111D371C	<b>A37C</b>	R3111D371B	<b>A37B</b>
R3111D381A	<b>A38A</b>	R3111D381C	<b>A38C</b>	R3111D381B	<b>A38B</b>
R3111D391A	<b>A39A</b>	R3111D391C	<b>A39C</b>	R3111D391B	<b>A39B</b>
R3111D401A	<b>A40A</b>	R3111D401C	<b>A40C</b>	R3111D401B	<b>A40B</b>
R3111D411A	<b>A41A</b>	R3111D411C	<b>A41C</b>	R3111D411B	<b>A41B</b>
R3111D421A	<b>A42A</b>	R3111D421C	<b>A42C</b>	R3111D421B	<b>A42B</b>
R3111D431A	<b>A43A</b>	R3111D431C	<b>A43C</b>	R3111D431B	<b>A43B</b>
R3111D441A	<b>A44A</b>	R3111D441C	<b>A44C</b>	R3111D441B	<b>A44B</b>
R3111D451A	<b>A45A</b>	R3111D451C	<b>A45C</b>	R3111D451B	<b>A45B</b>
R3111D461A	<b>A46A</b>	R3111D461C	<b>A46C</b>	R3111D461B	<b>A46B</b>
R3111D471A	<b>A47A</b>	R3111D471C	<b>A47C</b>	R3111D471B	<b>A47B</b>
R3111D481A	<b>A48A</b>	R3111D481C	<b>A48C</b>	R3111D481B	<b>A48B</b>
R3111D491A	<b>A49A</b>	R3111D491C	<b>A49C</b>	R3111D491B	<b>A49B</b>
R3111D501A	<b>A50A</b>	R3111D501C	<b>A50C</b>	R3111D501B	<b>A50B</b>
R3111D511A	<b>A51A</b>	R3111D511C	<b>A51C</b>	R3111D511B	<b>A51B</b>
R3111D521A	<b>A52A</b>	R3111D521C	<b>A52C</b>	R3111D521B	<b>A52B</b>
R3111D531A	<b>A53A</b>	R3111D531C	<b>A53C</b>	R3111D531B	<b>A53B</b>
R3111D541A	<b>A54A</b>	R3111D541C	<b>A54C</b>	R3111D541B	<b>A54B</b>
R3111D551A	<b>A55A</b>	R3111D551C	<b>A55C</b>	R3111D551B	<b>A55B</b>
R3111D561A	<b>A56A</b>	R3111D561C	<b>A56C</b>	R3111D561B	<b>A56B</b>
R3111D571A	<b>A57A</b>	R3111D571C	<b>A57C</b>	R3111D571B	<b>A57B</b>
R3111D581A	<b>A58A</b>	R3111D581C	<b>A58C</b>	R3111D581B	<b>A58B</b>
R3111D591A	<b>A59A</b>	R3111D591C	<b>A59C</b>	R3111D591B	<b>A59B</b>
R3111D601A	<b>A60A</b>	R3111D601C	<b>A60C</b>	R3111D601B	<b>A60B</b>

● **Power Dissipation (SC-82AB)**

Power Dissipation ( $P_D$ ) depends on conditions of mounting on board. This specification is based on the measurement at the condition below;

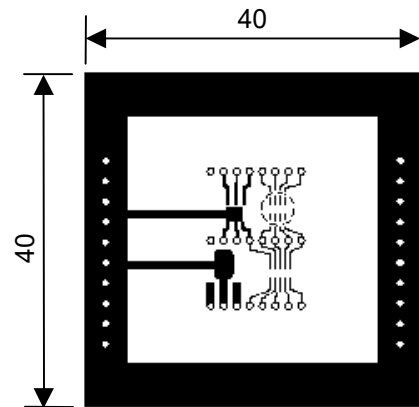
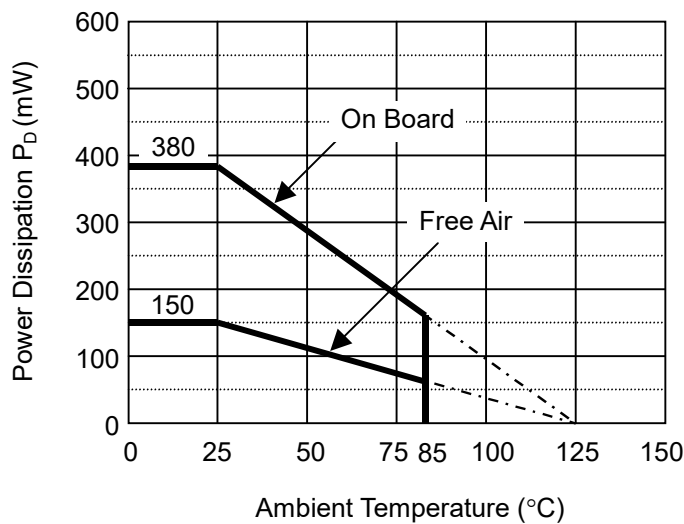
Measurement Conditions

	Standard Land Pattern
Environment	Mounting on Board (Wind velocity=0m/s)
Board Material	Glass cloth epoxy plastic (Double Layers)
Board Dimensions	40mm × 40mm × 1.6mm
Copper Ratio	Top side: Approx. 50%, Back side: Approx. 50%
Through-hole	φ0.5mm × 44pcs

Measurement Result

( $T_a=25^{\circ}\text{C}$ ,  $T_{j\text{max}}=125^{\circ}\text{C}$ )

	Standard Land Pattern	Free Air
Power Dissipation	380mW	150mW
Thermal Resistance	$\theta_{ja}=(125-25^{\circ}\text{C})/0.38\text{W}=263^{\circ}\text{C/W}$	667 $^{\circ}\text{C/W}$

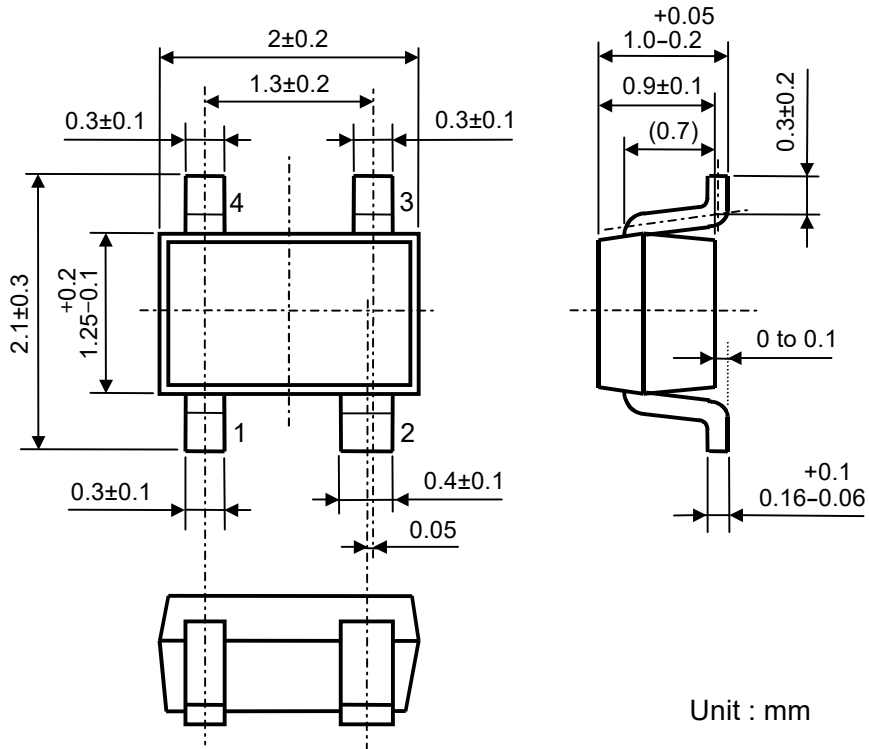


Measurement Board Pattern

○ IC Mount Area (Unit : mm)

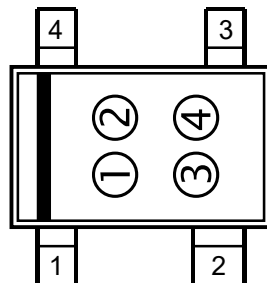
**R3111x**

• **Package Dimensions (SC-82AB)**



• **Mark Specification (SC-82AB)**

- ①② : Product Code ... **Refer to Mark Specification Table (SC-82AB).**
- ③④ : Lot No. .... Alphnumeric Serial Number



\* R3111E (TO-92) is the discontinued product as of April, 2017.

**R3111x**

• **Marking Specification Table (SC-82AB)**

<b>R3111Qxx1A</b>		<b>R3111Qxx1C</b>		<b>R3111Qxx1B</b>	
Part Number	①②	Part Number	①②	Part Number	①②
R3111Q091A	<b>K9</b>	R3111Q091C	<b>T9</b>	R3111Q091B	<b>09</b>
R3111Q101A	<b>L0</b>	R3111Q101C	<b>U0</b>	R3111Q101B	<b>10</b>
R3111Q111A	<b>L1</b>	R3111Q111C	<b>U1</b>	R3111Q111B	<b>11</b>
R3111Q121A	<b>L2</b>	R3111Q121C	<b>U2</b>	R3111Q121B	<b>12</b>
R3111Q131A	<b>L3</b>	R3111Q131C	<b>U3</b>	R3111Q131B	<b>13</b>
R3111Q141A	<b>L4</b>	R3111Q141C	<b>U4</b>	R3111Q141B	<b>14</b>
R3111Q151A	<b>L5</b>	R3111Q151C	<b>U5</b>	R3111Q151B	<b>15</b>
R3111Q161A	<b>L6</b>	R3111Q161C	<b>U6</b>	R3111Q161B	<b>16</b>
R3111Q171A	<b>L7</b>	R3111Q171C	<b>U7</b>	R3111Q171B	<b>17</b>
R3111Q181A	<b>L8</b>	R3111Q181C	<b>U8</b>	R3111Q181B	<b>18</b>
R3111Q191A	<b>L9</b>	R3111Q191C	<b>U9</b>	R3111Q191B	<b>19</b>
R3111Q201A	<b>M0</b>	R3111Q201C	<b>V0</b>	R3111Q201B	<b>20</b>
R3111Q211A	<b>M1</b>	R3111Q211C	<b>V1</b>	R3111Q211B	<b>21</b>
R3111Q221A	<b>M2</b>	R3111Q221C	<b>V2</b>	R3111Q221B	<b>22</b>
R3111Q231A	<b>M3</b>	R3111Q231C	<b>V3</b>	R3111Q231B	<b>23</b>
R3111Q241A	<b>M4</b>	R3111Q241C	<b>V4</b>	R3111Q241B	<b>24</b>
R3111Q251A	<b>M5</b>	R3111Q251C	<b>V5</b>	R3111Q251B	<b>25</b>
R3111Q261A	<b>M6</b>	R3111Q261C	<b>V6</b>	R3111Q261B	<b>26</b>
R3111Q271A	<b>M7</b>	R3111Q271C	<b>V7</b>	R3111Q271B	<b>27</b>
R3111Q281A	<b>M8</b>	R3111Q281C	<b>V8</b>	R3111Q281B	<b>28</b>
R3111Q291A	<b>M9</b>	R3111Q291C	<b>V9</b>	R3111Q291B	<b>29</b>
R3111Q301A	<b>N0</b>	R3111Q301C	<b>W0</b>	R3111Q301B	<b>30</b>
R3111Q311A	<b>N1</b>	R3111Q311C	<b>W1</b>	R3111Q311B	<b>31</b>
R3111Q321A	<b>N2</b>	R3111Q321C	<b>W2</b>	R3111Q321B	<b>32</b>
R3111Q331A	<b>N3</b>	R3111Q331C	<b>W3</b>	R3111Q331B	<b>33</b>
R3111Q341A	<b>N4</b>	R3111Q341C	<b>W4</b>	R3111Q341B	<b>34</b>
R3111Q351A	<b>N5</b>	R3111Q351C	<b>W5</b>	R3111Q351B	<b>35</b>
R3111Q361A	<b>N6</b>	R3111Q361C	<b>W6</b>	R3111Q361B	<b>36</b>
R3111Q371A	<b>N7</b>	R3111Q371C	<b>W7</b>	R3111Q371B	<b>37</b>
R3111Q381A	<b>N8</b>	R3111Q381C	<b>W8</b>	R3111Q381B	<b>38</b>
R3111Q391A	<b>N9</b>	R3111Q391C	<b>W9</b>	R3111Q391B	<b>39</b>
R3111Q401A	<b>P0</b>	R3111Q401C	<b>X0</b>	R3111Q401B	<b>40</b>
R3111Q411A	<b>P1</b>	R3111Q411C	<b>X1</b>	R3111Q411B	<b>41</b>
R3111Q421A	<b>P2</b>	R3111Q421C	<b>X2</b>	R3111Q421B	<b>42</b>
R3111Q431A	<b>P3</b>	R3111Q431C	<b>X3</b>	R3111Q431B	<b>43</b>
R3111Q441A	<b>P4</b>	R3111Q441C	<b>X4</b>	R3111Q441B	<b>44</b>
R3111Q451A	<b>P5</b>	R3111Q451C	<b>X5</b>	R3111Q451B	<b>45</b>
R3111Q461A	<b>P6</b>	R3111Q461C	<b>X6</b>	R3111Q461B	<b>46</b>
R3111Q471A	<b>P7</b>	R3111Q471C	<b>X7</b>	R3111Q471B	<b>47</b>
R3111Q481A	<b>P8</b>	R3111Q481C	<b>X8</b>	R3111Q481B	<b>48</b>
R3111Q491A	<b>P9</b>	R3111Q491C	<b>X9</b>	R3111Q491B	<b>49</b>
R3111Q501A	<b>R0</b>	R3111Q501C	<b>Y0</b>	R3111Q501B	<b>50</b>
R3111Q511A	<b>R1</b>	R3111Q511C	<b>Y1</b>	R3111Q511B	<b>51</b>
R3111Q521A	<b>R2</b>	R3111Q521C	<b>Y2</b>	R3111Q521B	<b>52</b>
R3111Q531A	<b>R3</b>	R3111Q531C	<b>Y3</b>	R3111Q531B	<b>53</b>
R3111Q541A	<b>R4</b>	R3111Q541C	<b>Y4</b>	R3111Q541B	<b>54</b>
R3111Q551A	<b>R5</b>	R3111Q551C	<b>Y5</b>	R3111Q551B	<b>55</b>
R3111Q561A	<b>R6</b>	R3111Q561C	<b>Y6</b>	R3111Q561B	<b>56</b>
R3111Q571A	<b>R7</b>	R3111Q571C	<b>Y7</b>	R3111Q571B	<b>57</b>
R3111Q581A	<b>R8</b>	R3111Q581C	<b>Y8</b>	R3111Q581B	<b>58</b>
R3111Q591A	<b>R9</b>	R3111Q591C	<b>Y9</b>	R3111Q591B	<b>59</b>
R3111Q601A	<b>S0</b>	R3111Q601C	<b>Z0</b>	R3111Q601B	<b>60</b>

\* R3111E (TO-92) is the discontinued product as of April, 2017.

## R3111x

### • Power Dissipation (SC-88A)

Power Dissipation ( $P_D$ ) depends on conditions of mounting on board. This specification is based on the measurement at the condition below;

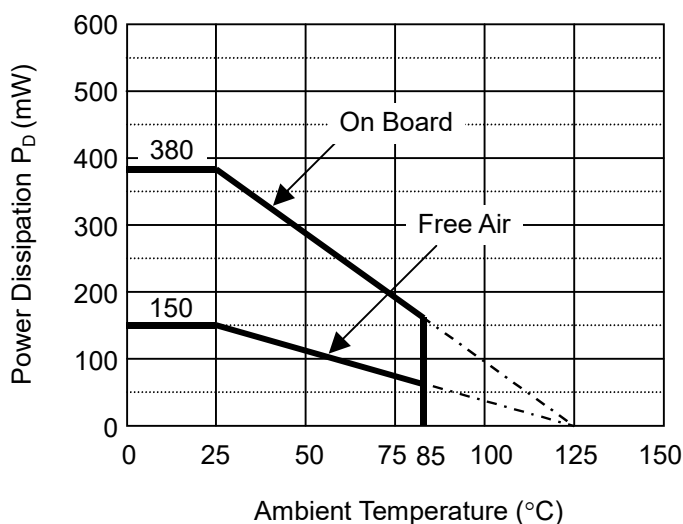
#### Measurement Conditions

	<b>Standard Land Pattern</b>
Environment	Mounting on Board (Wind velocity=0m/s)
Board Material	Glass cloth epoxy plastic (Double Layers)
Board Dimensions	40mm × 40mm × 1.6mm
Copper Ratio	Top side: Approx. 50%, Back side: Approx. 50%
Through-hole	φ0.5mm × 44pcs

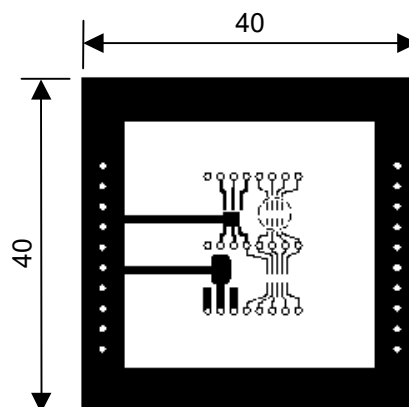
#### Measurement Result

( $T_a=25^\circ\text{C}$ ,  $T_{j\text{max}}=125^\circ\text{C}$ )

	<b>Standard Land Pattern</b>	<b>Free Air</b>
Power Dissipation	380mW	150mW
Thermal Resistance	$\theta_{ja}=(125-25^\circ\text{C})/0.38\text{W}=263^\circ\text{C/W}$	$\theta_{ja}=(125-25^\circ\text{C})/0.15\text{W}=667^\circ\text{C/W}$
	$\theta_{jc}=75^\circ\text{C/W}$	-



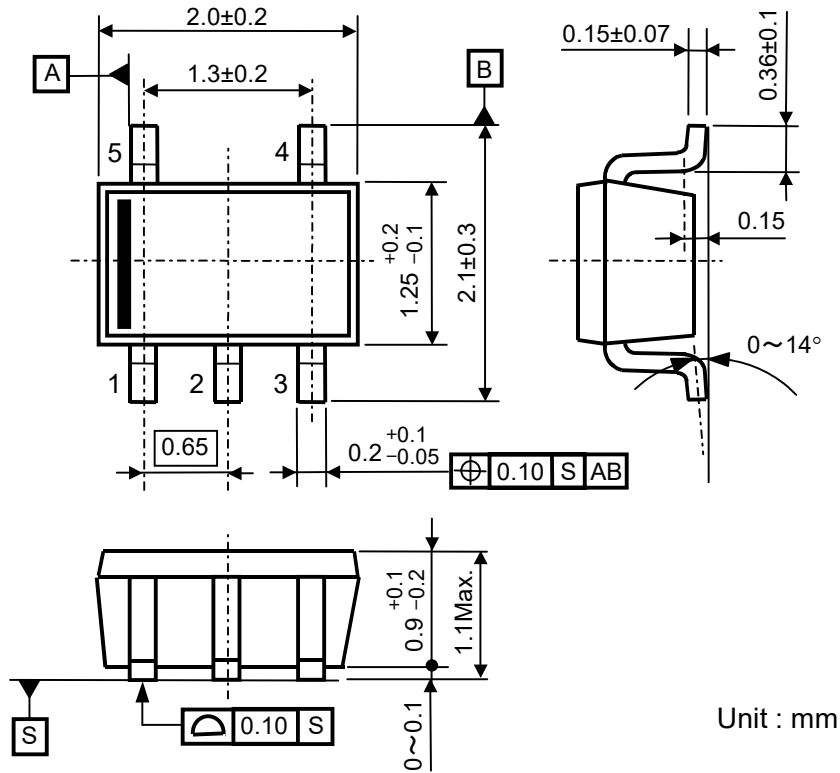
**Power Dissipation**



**Measurement Board Pattern**

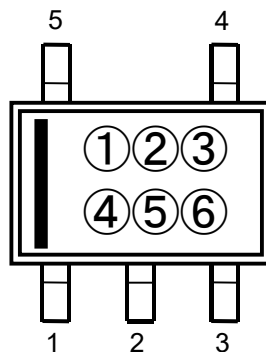
○ IC Mount Area (Unit : mm)

• Package Dimensions (SC-88A)



• Mark Specification (SC-88A)

- ①②③④ : Product Code ... **Refer to Mark Specification Table (SC-88A).**
- ⑤⑥ : Lot No. .... Alphnumeric Serial Number



\* R3111E (TO-92) is the discontinued product as of April, 2017.

## R3111x

### • Marking Specification Table (SC-88A)

R3111Qxx2A		R3111Qxx2C		R3111Qxx2B	
Part Number	①②③④	Part Number	①②③④	Part Number	①②③④
R3111Q092A	U009	R3111Q092C	V009	R3111Q092B	W009
R3111Q102A	U010	R3111Q102C	V010	R3111Q102B	W010
R3111Q112A	U011	R3111Q112C	V011	R3111Q112B	W011
R3111Q122A	U012	R3111Q122C	V012	R3111Q122B	W012
R3111Q132A	U013	R3111Q132C	V013	R3111Q132B	W013
R3111Q142A	U014	R3111Q142C	V014	R3111Q142B	W014
R3111Q152A	U015	R3111Q152C	V015	R3111Q152B	W015
R3111Q162A	U016	R3111Q162C	V016	R3111Q162B	W016
R3111Q172A	U017	R3111Q172C	V017	R3111Q172B	W017
R3111Q182A	U018	R3111Q182C	V018	R3111Q182B	W018
R3111Q192A	U019	R3111Q192C	V019	R3111Q192B	W019
R3111Q202A	U020	R3111Q202C	V020	R3111Q202B	W020
R3111Q212A	U021	R3111Q212C	V021	R3111Q212B	W021
R3111Q222A	U022	R3111Q222C	V022	R3111Q222B	W022
R3111Q232A	U023	R3111Q232C	V023	R3111Q232B	W023
R3111Q242A	U024	R3111Q242C	V024	R3111Q242B	W024
R3111Q252A	U025	R3111Q252C	V025	R3111Q252B	W025
R3111Q262A	U026	R3111Q262C	V026	R3111Q262B	W026
R3111Q272A	U027	R3111Q272C	V027	R3111Q272B	W027
R3111Q282A	U028	R3111Q282C	V028	R3111Q282B	W028
R3111Q292A	U029	R3111Q292C	V029	R3111Q292B	W029
R3111Q302A	U030	R3111Q302C	V030	R3111Q302B	W030
R3111Q312A	U031	R3111Q312C	V031	R3111Q312B	W031
R3111Q322A	U032	R3111Q322C	V032	R3111Q322B	W032
R3111Q332A	U033	R3111Q332C	V033	R3111Q332B	W033
R3111Q342A	U034	R3111Q342C	V034	R3111Q342B	W034
R3111Q352A	U035	R3111Q352C	V035	R3111Q352B	W035
R3111Q362A	U036	R3111Q362C	V036	R3111Q362B	W036
R3111Q372A	U037	R3111Q372C	V037	R3111Q372B	W037
R3111Q382A	U038	R3111Q382C	V038	R3111Q382B	W038
R3111Q392A	U039	R3111Q392C	V039	R3111Q392B	W039
R3111Q402A	U040	R3111Q402C	V040	R3111Q402B	W040
R3111Q412A	U041	R3111Q412C	V041	R3111Q412B	W041
R3111Q422A	U042	R3111Q422C	V042	R3111Q422B	W042
R3111Q432A	U043	R3111Q432C	V043	R3111Q432B	W043
R3111Q442A	U044	R3111Q442C	V044	R3111Q442B	W044
R3111Q452A	U045	R3111Q452C	V045	R3111Q452B	W045
R3111Q462A	U046	R3111Q462C	V046	R3111Q462B	W046
R3111Q472A	U047	R3111Q472C	V047	R3111Q472B	W047
R3111Q482A	U048	R3111Q482C	V048	R3111Q482B	W048
R3111Q492A	U049	R3111Q492C	V049	R3111Q492B	W049
R3111Q502A	U050	R3111Q502C	V050	R3111Q502B	W050
R3111Q512A	U051	R3111Q512C	V051	R3111Q512B	W051
R3111Q522A	U052	R3111Q522C	V052	R3111Q522B	W052
R3111Q532A	U053	R3111Q532C	V053	R3111Q532B	W053
R3111Q542A	U054	R3111Q542C	V054	R3111Q542B	W054
R3111Q552A	U055	R3111Q552C	V055	R3111Q552B	W055
R3111Q562A	U056	R3111Q562C	V056	R3111Q562B	W056
R3111Q572A	U057	R3111Q572C	V057	R3111Q572B	W057
R3111Q582A	U058	R3111Q582C	V058	R3111Q582B	W058
R3111Q592A	U059	R3111Q592C	V059	R3111Q592B	W059
R3111Q602A	U060	R3111Q602C	V060	R3111Q602B	W060
R3111Q222A5	U001				



● **Power Dissipation (SOT-23-5)**

Power Dissipation ( $P_D$ ) depends on conditions of mounting on board. This specification is based on the measurement at the condition below:

(Power Dissipation (SOT-23-5) is substitution of SOT-23-6.)

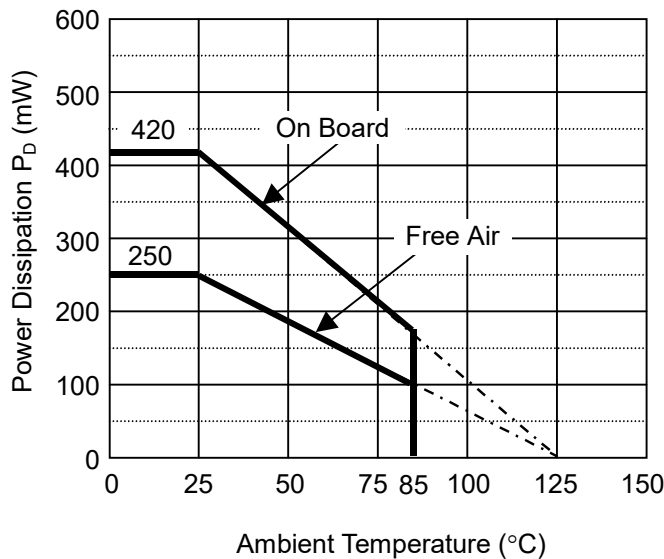
Measurement Conditions

	Standard Test Land Pattern
Environment	Mounting on Board (Wind velocity=0m/s)
Board Material	Glass cloth epoxy plastic (Double sided)
Board Dimensions	40mm × 40mm × 1.6mm
Copper Ratio	Top side: Approx. 50%, Back side: Approx. 50%
Through-holes	φ 0.5mm × 44pcs

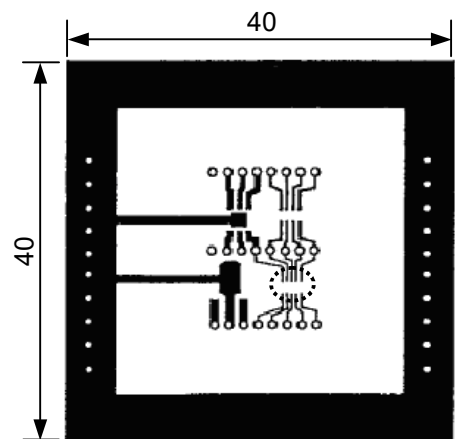
Measurement Result

( $T_a=25^\circ\text{C}$ ,  $T_{j\text{max}}=125^\circ\text{C}$ )

	Standard Land Pattern	Free Air
Power Dissipation	420mW	250mW
Thermal Resistance	$\theta_{ja} = (125-25^\circ\text{C})/0.42\text{W} = 238^\circ\text{C/W}$	400 $^\circ\text{C/W}$



**Power Dissipation**



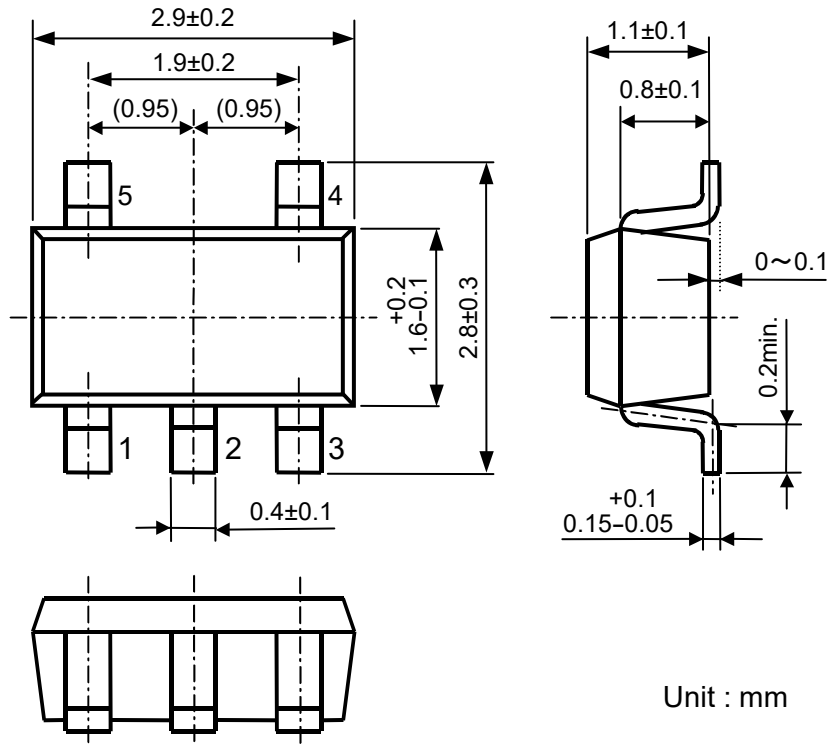
**Measurement Board Pattern**

○ IC Mount Area (Unit: mm)

\* R3111E (TO-92) is the discontinued product as of April, 2017.

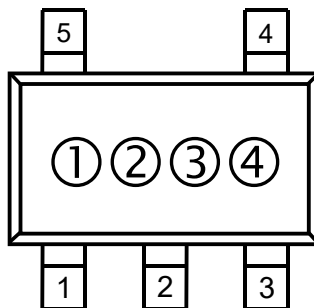
R3111x

• Package Dimensions (SOT-23-5)



• Mark Specification (SOT-23-5)

- ①② : Product Code ...**Refer to Mark Specification Table (SOT-23-5).**
- ③④ : Lot No. .... Alphabetic Serial Number



\* R3111E (TO-92) is the discontinued product as of April, 2017.

**R3111x**

• **Marking Specification Table (SOT-23-5)**

<b>R3111Nxx1A</b>		<b>R3111Nxx1C</b>		<b>R3111Nxx1B</b>	
Part Number	①②	Part Number	①②	Part Number	①②
R3111N091A	<b>9A</b>	R3111N091C	<b>9H</b>	R3111N091B	<b>D1</b>
R3111N101A	<b>0B</b>	R3111N101C	<b>0J</b>	R3111N101B	<b>D2</b>
R3111N111A	<b>1B</b>	R3111N111C	<b>1J</b>	R3111N111B	<b>D3</b>
R3111N121A	<b>2B</b>	R3111N121C	<b>2J</b>	R3111N121B	<b>D4</b>
R3111N131A	<b>3B</b>	R3111N131C	<b>3J</b>	R3111N131B	<b>D5</b>
R3111N141A	<b>4B</b>	R3111N141C	<b>4J</b>	R3111N141B	<b>D6</b>
R3111N151A	<b>5B</b>	R3111N151C	<b>5J</b>	R3111N151B	<b>D7</b>
R3111N161A	<b>6B</b>	R3111N161C	<b>6J</b>	R3111N161B	<b>D8</b>
R3111N171A	<b>7B</b>	R3111N171C	<b>7J</b>	R3111N171B	<b>D9</b>
R3111N181A	<b>8B</b>	R3111N181C	<b>8J</b>	R3111N181B	<b>J1</b>
R3111N191A	<b>9B</b>	R3111N191C	<b>9J</b>	R3111N191B	<b>J2</b>
R3111N201A	<b>0C</b>	R3111N201C	<b>0K</b>	R3111N201B	<b>J3</b>
R3111N211A	<b>1C</b>	R3111N211C	<b>1K</b>	R3111N211B	<b>J4</b>
R3111N221A	<b>2C</b>	R3111N221C	<b>2K</b>	R3111N221B	<b>J5</b>
R3111N231A	<b>3C</b>	R3111N231C	<b>3K</b>	R3111N231B	<b>J6</b>
R3111N241A	<b>4C</b>	R3111N241C	<b>4K</b>	R3111N241B	<b>J7</b>
R3111N251A	<b>5C</b>	R3111N251C	<b>5K</b>	R3111N251B	<b>EB</b>
R3111N261A	<b>6C</b>	R3111N261C	<b>6K</b>	R3111N261B	<b>EC</b>
R3111N271A	<b>7C</b>	R3111N271C	<b>7K</b>	R3111N271B	<b>ED</b>
R3111N281A	<b>8C</b>	R3111N281C	<b>8K</b>	R3111N281B	<b>EE</b>
R3111N291A	<b>9C</b>	R3111N291C	<b>9K</b>	R3111N291B	<b>EF</b>
R3111N301A	<b>0D</b>	R3111N301C	<b>0L</b>	R3111N301B	<b>EG</b>
R3111N311A	<b>1D</b>	R3111N311C	<b>1L</b>	R3111N311B	<b>EH</b>
R3111N321A	<b>2D</b>	R3111N321C	<b>2L</b>	R3111N321B	<b>EJ</b>
R3111N331A	<b>3D</b>	R3111N331C	<b>3L</b>	R3111N331B	<b>EK</b>
R3111N341A	<b>4D</b>	R3111N341C	<b>4L</b>	R3111N341B	<b>KB</b>
R3111N351A	<b>5D</b>	R3111N351C	<b>5L</b>	R3111N351B	<b>KC</b>
R3111N361A	<b>6D</b>	R3111N361C	<b>6L</b>	R3111N361B	<b>KD</b>
R3111N371A	<b>7D</b>	R3111N371C	<b>7L</b>	R3111N371B	<b>KE</b>
R3111N381A	<b>8D</b>	R3111N381C	<b>8L</b>	R3111N381B	<b>KF</b>
R3111N391A	<b>9D</b>	R3111N391C	<b>9L</b>	R3111N391B	<b>KG</b>
R3111N401A	<b>0E</b>	R3111N401C	<b>0M</b>	R3111N401B	<b>KH</b>
R3111N411A	<b>1E</b>	R3111N411C	<b>1M</b>	R3111N411B	<b>KJ</b>
R3111N421A	<b>2E</b>	R3111N421C	<b>2M</b>	R3111N421B	<b>KK</b>
R3111N431A	<b>3E</b>	R3111N431C	<b>3M</b>	R3111N431B	<b>QB</b>
R3111N441A	<b>4E</b>	R3111N441C	<b>4M</b>	R3111N441B	<b>QC</b>
R3111N451A	<b>5E</b>	R3111N451C	<b>5M</b>	R3111N451B	<b>QD</b>
R3111N461A	<b>6E</b>	R3111N461C	<b>6M</b>	R3111N461B	<b>QE</b>
R3111N471A	<b>7E</b>	R3111N471C	<b>7M</b>	R3111N471B	<b>QF</b>
R3111N481A	<b>8E</b>	R3111N481C	<b>8M</b>	R3111N481B	<b>QG</b>
R3111N491A	<b>9E</b>	R3111N491C	<b>9M</b>	R3111N491B	<b>QH</b>
R3111N501A	<b>0F</b>	R3111N501C	<b>0N</b>	R3111N501B	<b>QJ</b>
R3111N511A	<b>1F</b>	R3111N511C	<b>1N</b>	R3111N511B	<b>QK</b>
R3111N521A	<b>2F</b>	R3111N521C	<b>2N</b>	R3111N521B	<b>VB</b>
R3111N531A	<b>3F</b>	R3111N531C	<b>3N</b>	R3111N531B	<b>VC</b>
R3111N541A	<b>4F</b>	R3111N541C	<b>4N</b>	R3111N541B	<b>VD</b>
R3111N551A	<b>5F</b>	R3111N551C	<b>5N</b>	R3111N551B	<b>VE</b>
R3111N561A	<b>6F</b>	R3111N561C	<b>6N</b>	R3111N561B	<b>VF</b>
R3111N571A	<b>7F</b>	R3111N571C	<b>7N</b>	R3111N571B	<b>VG</b>
R3111N581A	<b>8F</b>	R3111N581C	<b>8N</b>	R3111N581B	<b>VH</b>
R3111N591A	<b>9F</b>	R3111N591C	<b>9N</b>	R3111N591B	<b>VJ</b>
R3111N601A	<b>0G</b>	R3111N601C	<b>0P</b>	R3111N601B	<b>VK</b>

**R3111x**

• **Power Dissipation (SOT-23-3)**

Power Dissipation ( $P_D$ ) depends on conditions of mounting on board. This specification is based on the measurement at the condition below:

(Power Dissipation (SOT-23-3) is substitution of SOT-23-6.)

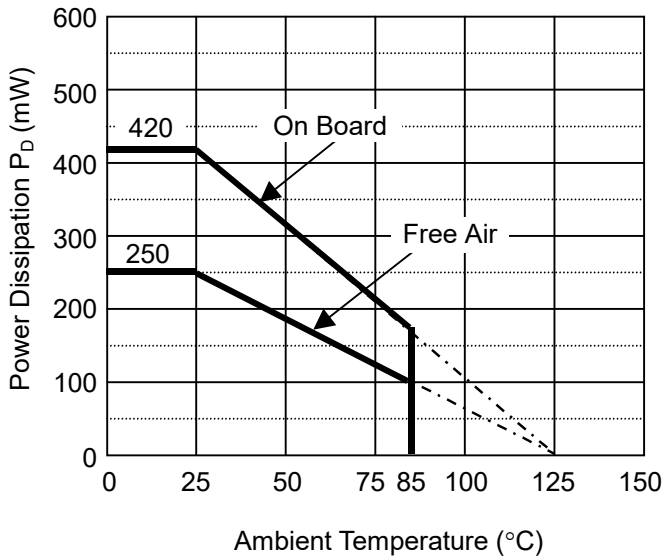
Measurement Conditions

	<b>Standard Test Land Pattern</b>
Environment	Mounting on Board (Wind velocity=0m/s)
Board Material	Glass cloth epoxy plastic (Double sided)
Board Dimensions	40mm × 40mm × 1.6mm
Copper Ratio	Top side: Approx. 50%, Back side: Approx. 50%
Through-holes	φ 0.5mm × 44pcs

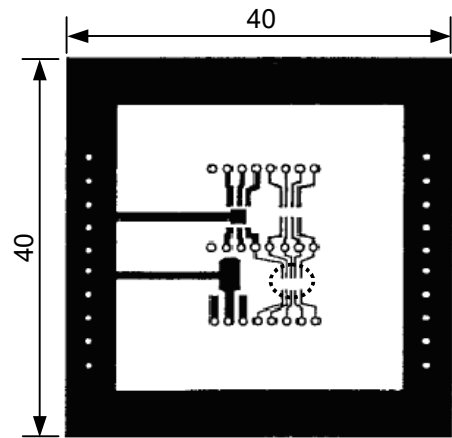
Measurement Result

( $T_a=25^\circ\text{C}$ ,  $T_{j\text{max}}=125^\circ\text{C}$ )

	<b>Standard Land Pattern</b>	<b>Free Air</b>
Power Dissipation	420mW	250mW
Thermal Resistance	$\theta_{ja} = (125-25^\circ\text{C})/0.42\text{W} = 238^\circ\text{C/W}$	400°C/W



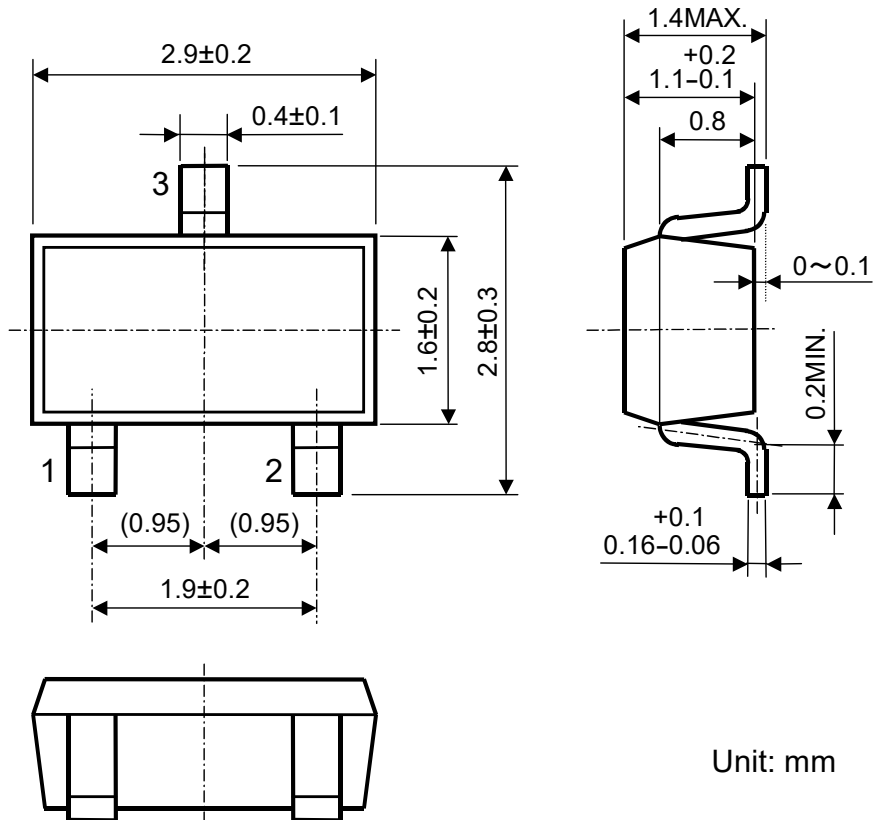
**Power Dissipation**



**Measurement Board Pattern**

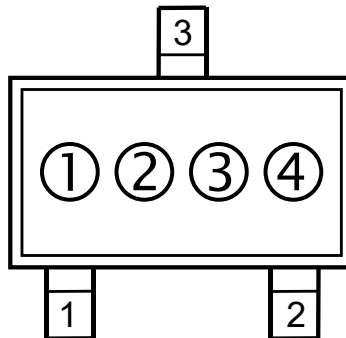
○ IC Mount Area (Unit: mm)

• Package Dimensions (SOT-23-3)



• Mark Specification (SOT-23-3)

- ①② : Product Code ... Refer to Mark Specification Table (SOT-23-3).
- ③④ : Lot No. .... Alphnumeric Serial Number



\* R3111E (TO-92) is the discontinued product as of April, 2017.

## R3111x

### • Marking Specification Table (SOT-23-3)

<b>R3111Nxx2A</b>		<b>R3111Nxx2C</b>	
Part Number	①②	Part Number	①②
R3111N092A	<b>A9</b>	R3111N092C	<b>H9</b>
R3111N102A	<b>B0</b>	R3111N102C	<b>J0</b>
R3111N112A	<b>B1</b>	R3111N112C	<b>J1</b>
R3111N122A	<b>B2</b>	R3111N122C	<b>J2</b>
R3111N132A	<b>B3</b>	R3111N132C	<b>J3</b>
R3111N142A	<b>B4</b>	R3111N142C	<b>J4</b>
R3111N152A	<b>B5</b>	R3111N152C	<b>J5</b>
R3111N162A	<b>B6</b>	R3111N162C	<b>J6</b>
R3111N172A	<b>B7</b>	R3111N172C	<b>J7</b>
R3111N182A	<b>B8</b>	R3111N182C	<b>J8</b>
R3111N192A	<b>B9</b>	R3111N192C	<b>J9</b>
R3111N202A	<b>C0</b>	R3111N202C	<b>K0</b>
R3111N212A	<b>C1</b>	R3111N212C	<b>K1</b>
R3111N222A	<b>C2</b>	R3111N222C	<b>K2</b>
R3111N232A	<b>C3</b>	R3111N232C	<b>K3</b>
R3111N242A	<b>C4</b>	R3111N242C	<b>K4</b>
R3111N252A	<b>C5</b>	R3111N252C	<b>K5</b>
R3111N262A	<b>C6</b>	R3111N262C	<b>K6</b>
R3111N272A	<b>C7</b>	R3111N272C	<b>K7</b>
R3111N282A	<b>C8</b>	R3111N282C	<b>K8</b>
R3111N292A	<b>C9</b>	R3111N292C	<b>K9</b>
R3111N302A	<b>D0</b>	R3111N302C	<b>L0</b>
R3111N312A	<b>D1</b>	R3111N312C	<b>L1</b>
R3111N322A	<b>D2</b>	R3111N322C	<b>L2</b>
R3111N332A	<b>D3</b>	R3111N332C	<b>L3</b>
R3111N342A	<b>D4</b>	R3111N342C	<b>L4</b>
R3111N352A	<b>D5</b>	R3111N352C	<b>L5</b>
R3111N362A	<b>D6</b>	R3111N362C	<b>L6</b>
R3111N372A	<b>D7</b>	R3111N372C	<b>L7</b>
R3111N382A	<b>D8</b>	R3111N382C	<b>L8</b>
R3111N392A	<b>D9</b>	R3111N392C	<b>L9</b>
R3111N402A	<b>E0</b>	R3111N402C	<b>M0</b>
R3111N412A	<b>E1</b>	R3111N412C	<b>M1</b>
R3111N422A	<b>E2</b>	R3111N422C	<b>M2</b>
R3111N432A	<b>E3</b>	R3111N432C	<b>M3</b>
R3111N442A	<b>E4</b>	R3111N442C	<b>M4</b>
R3111N452A	<b>E5</b>	R3111N452C	<b>M5</b>
R3111N462A	<b>E6</b>	R3111N462C	<b>M6</b>
R3111N472A	<b>E7</b>	R3111N472C	<b>M7</b>
R3111N482A	<b>E8</b>	R3111N482C	<b>M8</b>
R3111N492A	<b>E9</b>	R3111N492C	<b>M9</b>
R3111N502A	<b>F0</b>	R3111N502C	<b>N0</b>
R3111N512A	<b>F1</b>	R3111N512C	<b>N1</b>
R3111N522A	<b>F2</b>	R3111N522C	<b>N2</b>
R3111N532A	<b>F3</b>	R3111N532C	<b>N3</b>
R3111N542A	<b>F4</b>	R3111N542C	<b>N4</b>
R3111N552A	<b>F5</b>	R3111N552C	<b>N5</b>
R3111N562A	<b>F6</b>	R3111N562C	<b>N6</b>
R3111N572A	<b>F7</b>	R3111N572C	<b>N7</b>
R3111N582A	<b>F8</b>	R3111N582C	<b>N8</b>
R3111N592A	<b>F9</b>	R3111N592C	<b>N9</b>
R3111N602A	<b>G0</b>	R3111N602C	<b>P0</b>

● **Power Dissipation (SOT-89-3)**

Power Dissipation ( $P_D$ ) depends on conditions of mounting on board. This specification is based on the measurement at the condition below:

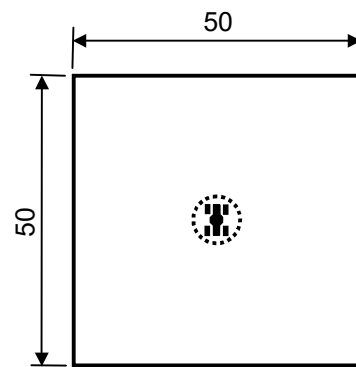
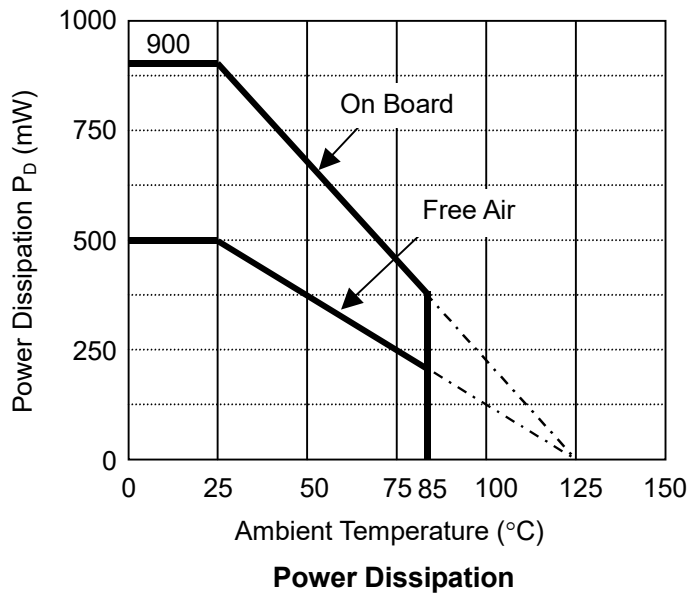
Measurement Conditions

	Standard Land Pattern
Environment	Mounting on Board (Wind velocity=0m/s)
Board Material	Glass cloth epoxy plastic (Double sided)
Board Dimensions	50mm × 50mm × 1.6mm
Copper Ratio	Top side : Approx. 10% , Back side : Approx. 100%
Through-hole	-

Measurement Result

( $T_a=25^\circ\text{C}, T_{j\text{max}}=125^\circ\text{C}$ )

	Standard Land Pattern	Free Air
Power Dissipation	900mW	500mW
Thermal Resistance	$\theta_{ja} = (125-25^\circ\text{C})/0.9\text{W} = 111^\circ\text{C/W}$	200°C/W

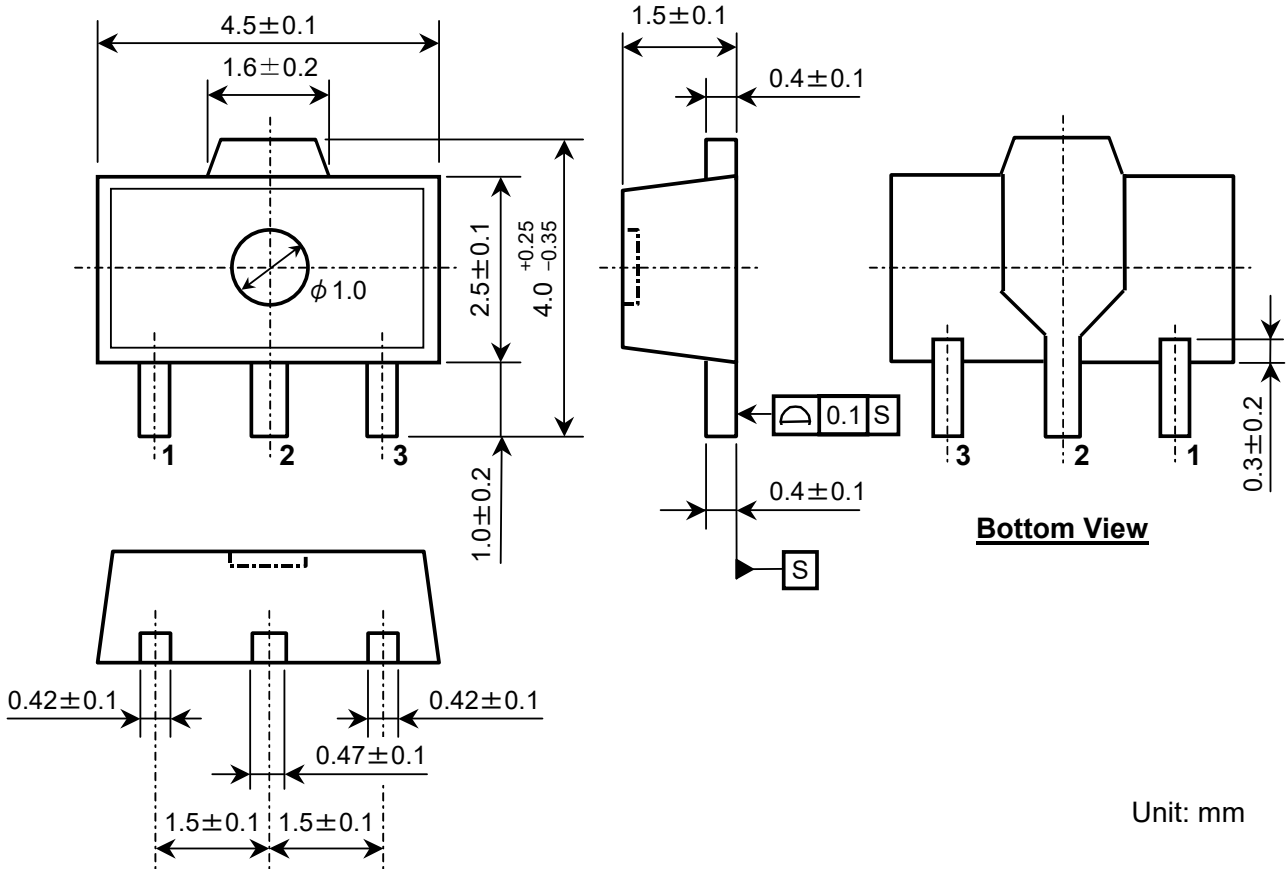


Measurement Board Pattern

○ IC Mount Area Unit : mm

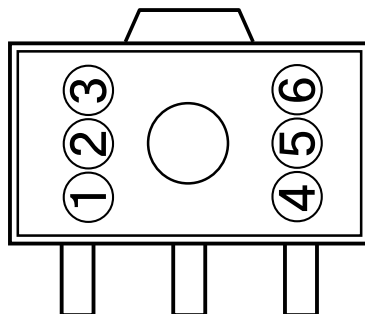
**R3111x**

• **Package Dimensions (SOT-89-3)**



• **Mark Specification (SOT-89-3)**

- ①②③④ : Product Code ... **Refer to Mark Specification Table (SOT-89-3).**
- ⑤⑥ : Lot No. .... Alphabetic Serial Number





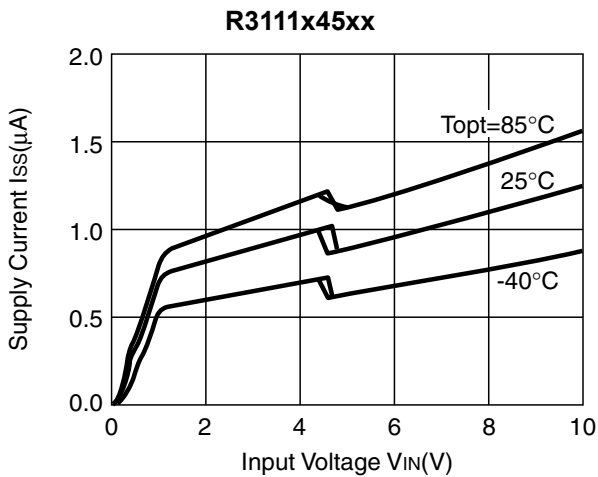
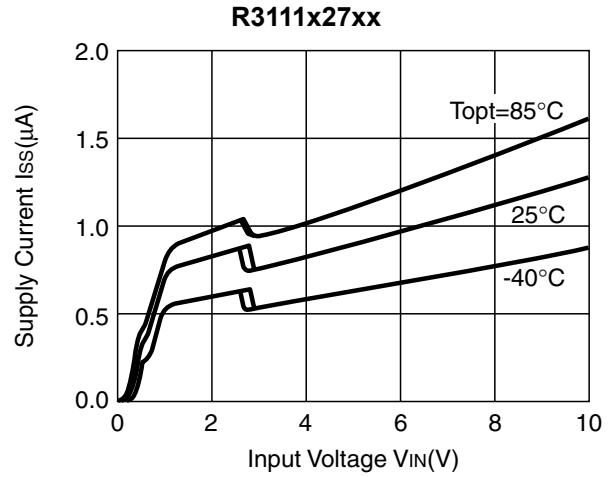
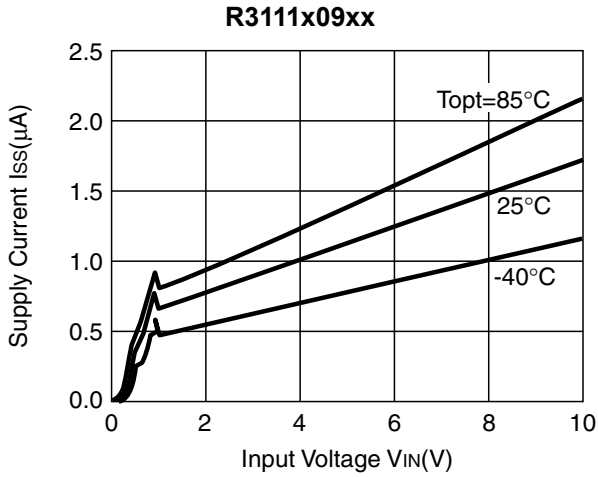
● Marking Specification Table (SOT-89-3)

R3111Hxx1A		R3111Hxx1C	
Part Number	①②③④	Part Number	①②③④
R3111H091A	<b>A09A</b>	R3111H091C	<b>A09C</b>
R3111H101A	<b>A10A</b>	R3111H101C	<b>A10C</b>
R3111H111A	<b>A11A</b>	R3111H111C	<b>A11C</b>
R3111H121A	<b>A12A</b>	R3111H121C	<b>A12C</b>
R3111H131A	<b>A13A</b>	R3111H131C	<b>A13C</b>
R3111H141A	<b>A14A</b>	R3111H141C	<b>A14C</b>
R3111H151A	<b>A15A</b>	R3111H151C	<b>A15C</b>
R3111H161A	<b>A16A</b>	R3111H161C	<b>A16C</b>
R3111H171A	<b>A17A</b>	R3111H171C	<b>A17C</b>
R3111H181A	<b>A18A</b>	R3111H181C	<b>A18C</b>
R3111H191A	<b>A19A</b>	R3111H191C	<b>A19C</b>
R3111H201A	<b>A20A</b>	R3111H201C	<b>A20C</b>
R3111H211A	<b>A21A</b>	R3111H211C	<b>A21C</b>
R3111H221A	<b>A22A</b>	R3111H221C	<b>A22C</b>
R3111H231A	<b>A23A</b>	R3111H231C	<b>A23C</b>
R3111H241A	<b>A24A</b>	R3111H241C	<b>A24C</b>
R3111H251A	<b>A25A</b>	R3111H251C	<b>A25C</b>
R3111H261A	<b>A26A</b>	R3111H261C	<b>A26C</b>
R3111H271A	<b>A27A</b>	R3111H271C	<b>A27C</b>
R3111H281A	<b>A28A</b>	R3111H281C	<b>A28C</b>
R3111H291A	<b>A29A</b>	R3111H291C	<b>A29C</b>
R3111H301A	<b>A30A</b>	R3111H301C	<b>A30C</b>
R3111H311A	<b>A31A</b>	R3111H311C	<b>A31C</b>
R3111H321A	<b>A32A</b>	R3111H321C	<b>A32C</b>
R3111H331A	<b>A33A</b>	R3111H331C	<b>A33C</b>
R3111H341A	<b>A34A</b>	R3111H341C	<b>A34C</b>
R3111H351A	<b>A35A</b>	R3111H351C	<b>A35C</b>
R3111H361A	<b>A36A</b>	R3111H361C	<b>A36C</b>
R3111H371A	<b>A37A</b>	R3111H371C	<b>A37C</b>
R3111H381A	<b>A38A</b>	R3111H381C	<b>A38C</b>
R3111H391A	<b>A39A</b>	R3111H391C	<b>A39C</b>
R3111H401A	<b>A40A</b>	R3111H401C	<b>A40C</b>
R3111H411A	<b>A41A</b>	R3111H411C	<b>A41C</b>
R3111H421A	<b>A42A</b>	R3111H421C	<b>A42C</b>
R3111H431A	<b>A43A</b>	R3111H431C	<b>A43C</b>
R3111H441A	<b>A44A</b>	R3111H441C	<b>A44C</b>
R3111H451A	<b>A45A</b>	R3111H451C	<b>A45C</b>
R3111H461A	<b>A46A</b>	R3111H461C	<b>A46C</b>
R3111H471A	<b>A47A</b>	R3111H471C	<b>A47C</b>
R3111H481A	<b>A48A</b>	R3111H481C	<b>A48C</b>
R3111H491A	<b>A49A</b>	R3111H491C	<b>A49C</b>
R3111H501A	<b>A50A</b>	R3111H501C	<b>A50C</b>
R3111H511A	<b>A51A</b>	R3111H511C	<b>A51C</b>
R3111H521A	<b>A52A</b>	R3111H521C	<b>A52C</b>
R3111H531A	<b>A53A</b>	R3111H531C	<b>A53C</b>
R3111H541A	<b>A54A</b>	R3111H541C	<b>A54C</b>
R3111H551A	<b>A55A</b>	R3111H551C	<b>A55C</b>
R3111H561A	<b>A56A</b>	R3111H561C	<b>A56C</b>
R3111H571A	<b>A57A</b>	R3111H571C	<b>A57C</b>
R3111H581A	<b>A58A</b>	R3111H581C	<b>A58C</b>
R3111H591A	<b>A59A</b>	R3111H591C	<b>A59C</b>
R3111H601A	<b>A60A</b>	R3111H601C	<b>A60C</b>

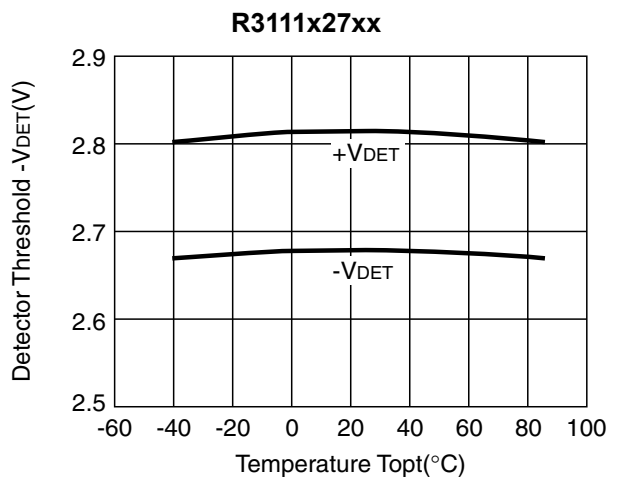
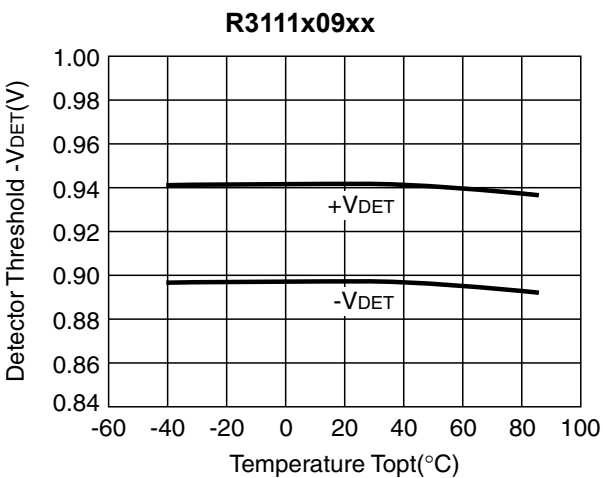
**R3111x**

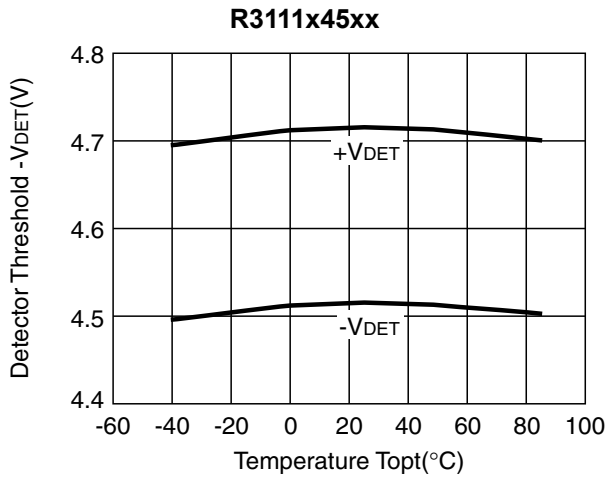
**TYPICAL CHARACTERISTICS**

**1) Supply Current vs. Input Voltage**

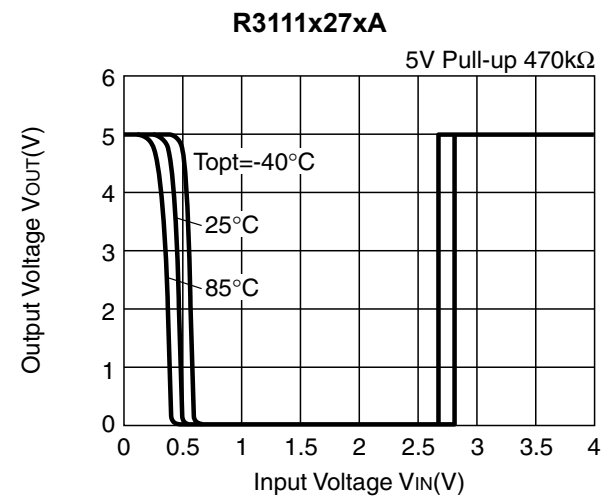
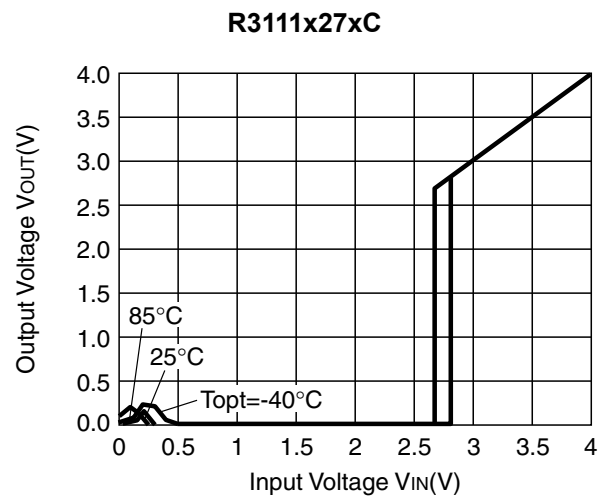
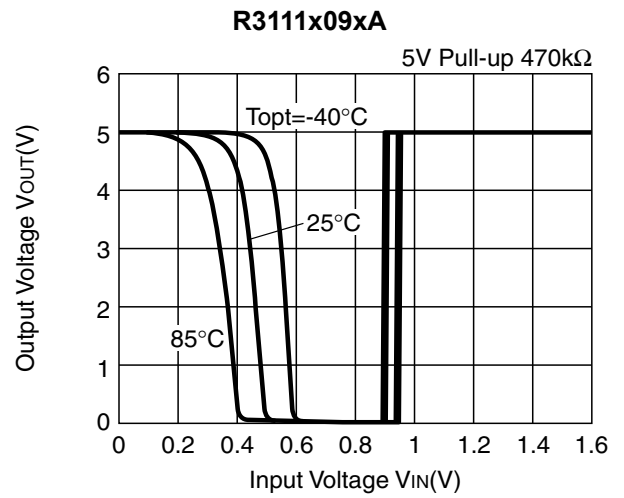
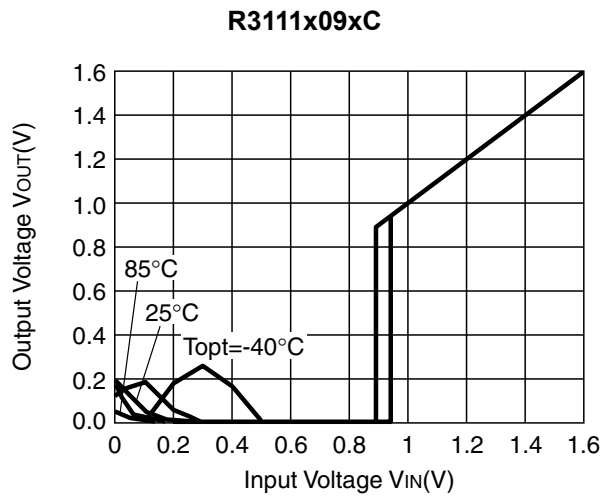


**2) Detector Threshold Hysteresis vs. Temperature**



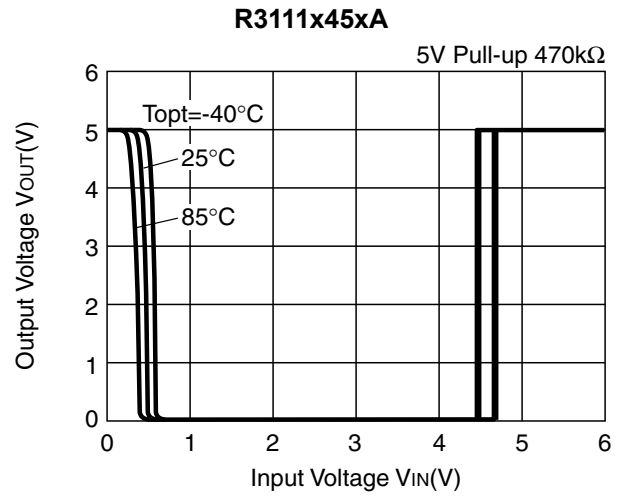
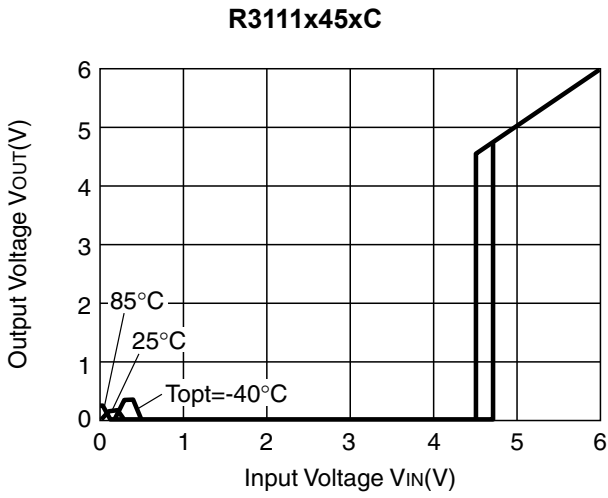


### 3) Output Voltage vs. Input Voltage

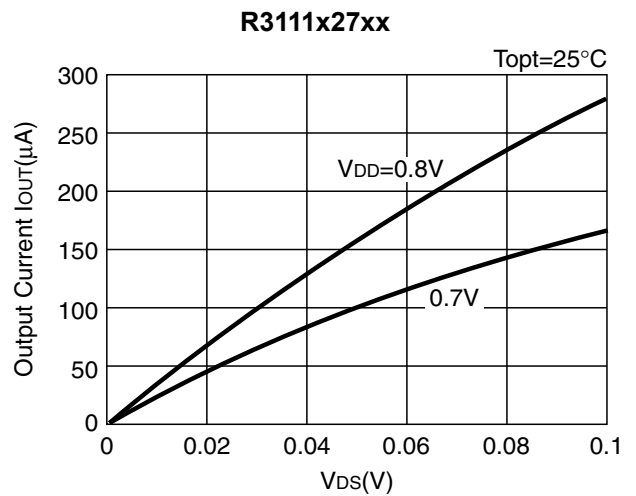
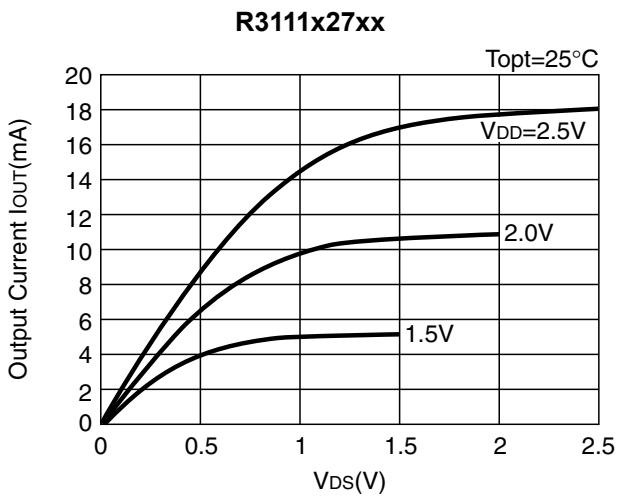
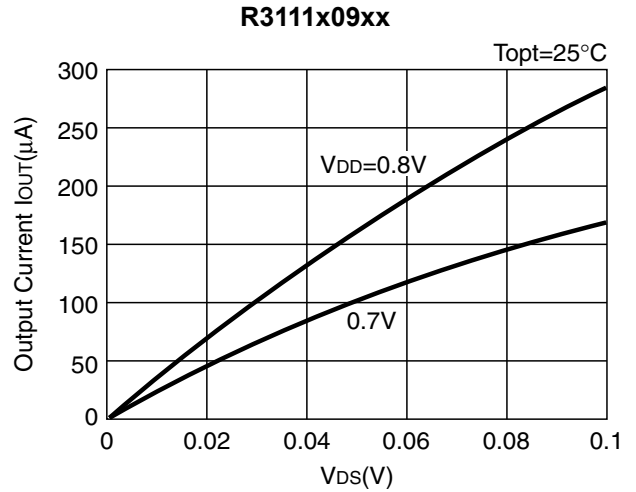
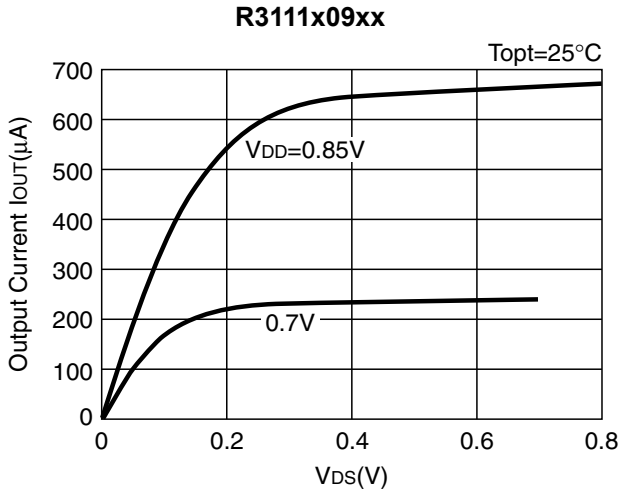


\* R3111E (TO-92) is the discontinued product as of April, 2017.

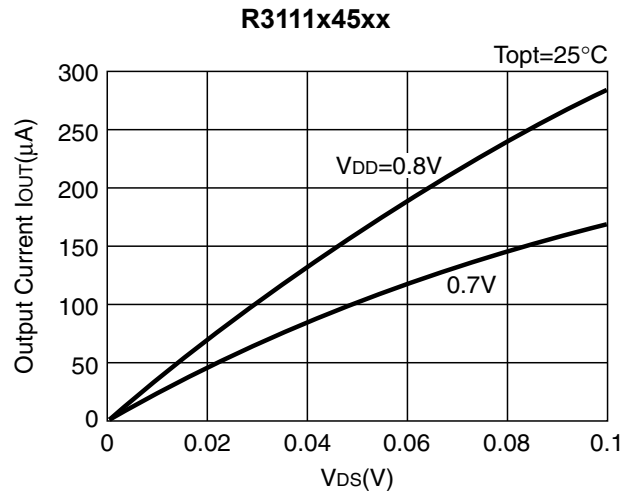
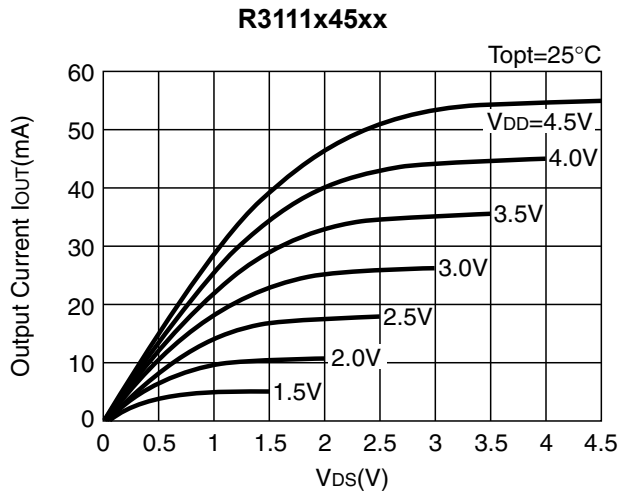
**R3111x**



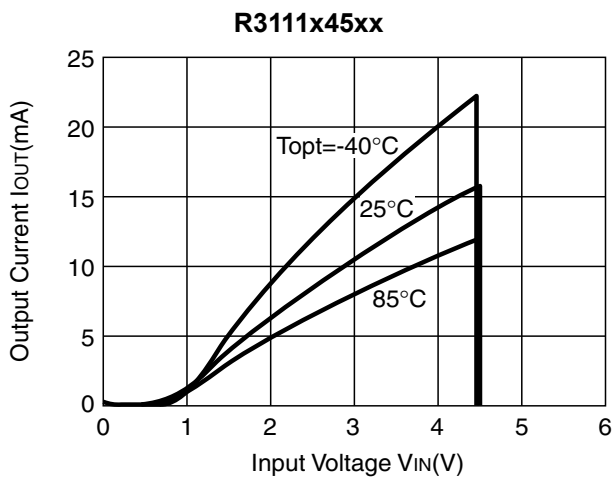
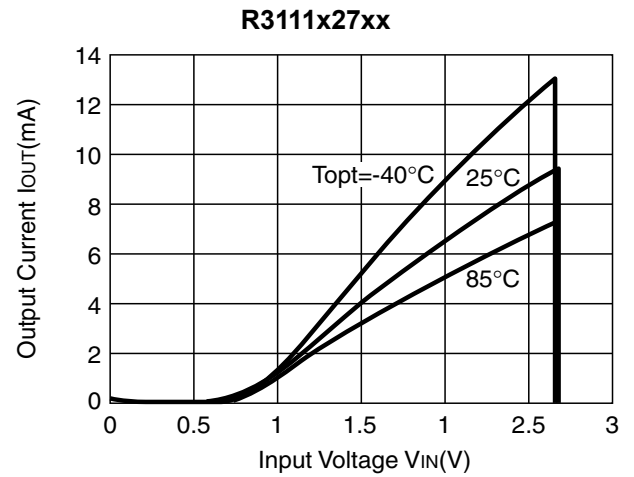
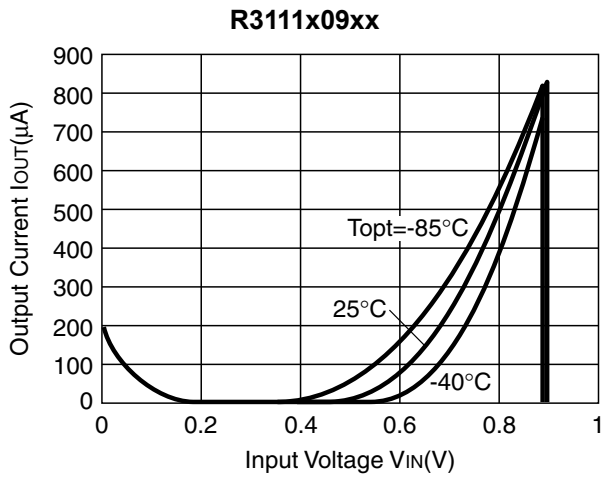
**4) Nch Driver Output Current vs.  $V_{DS}$**



\* R3111E (TO-92) is the discontinued product as of April, 2017.

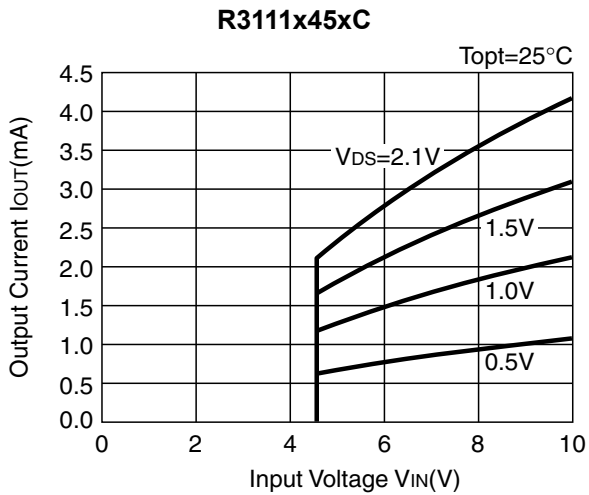
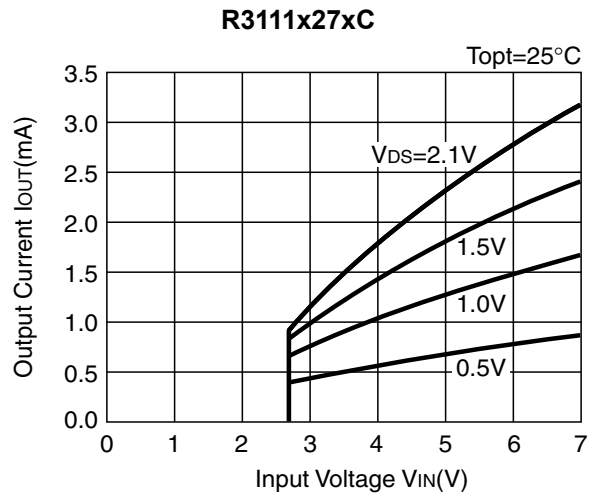
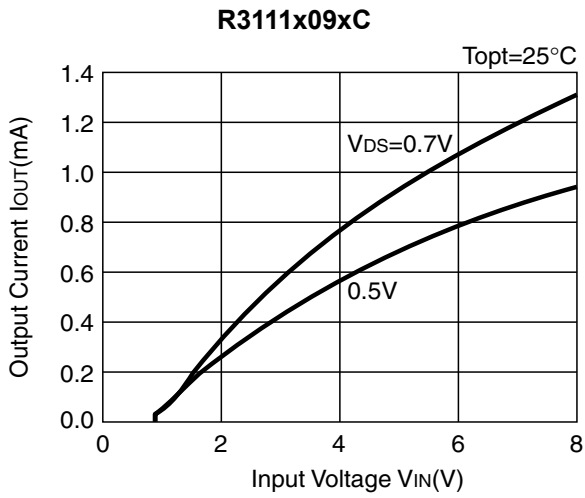


5) Nch Driver Output Current vs. Input Voltage

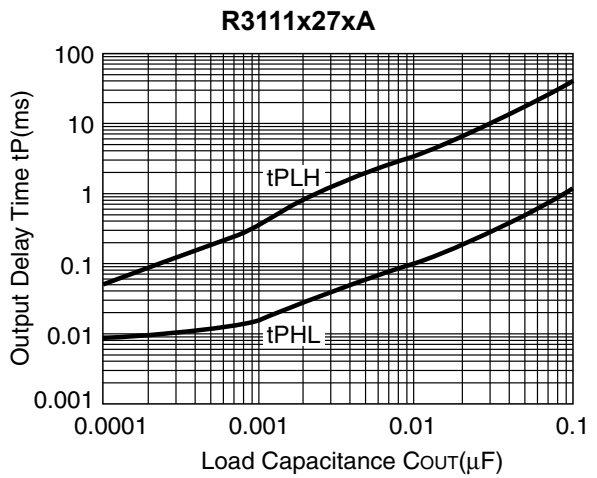
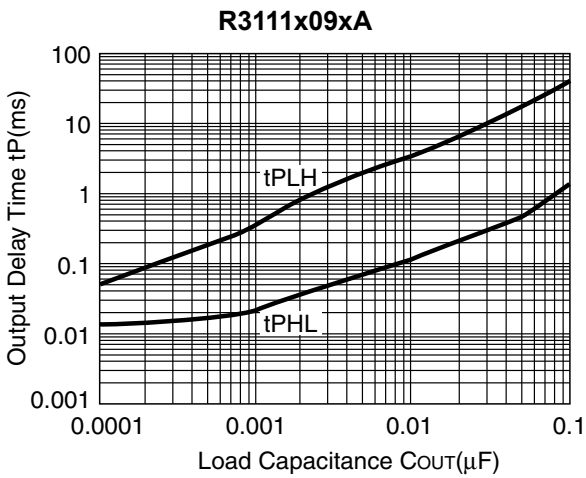


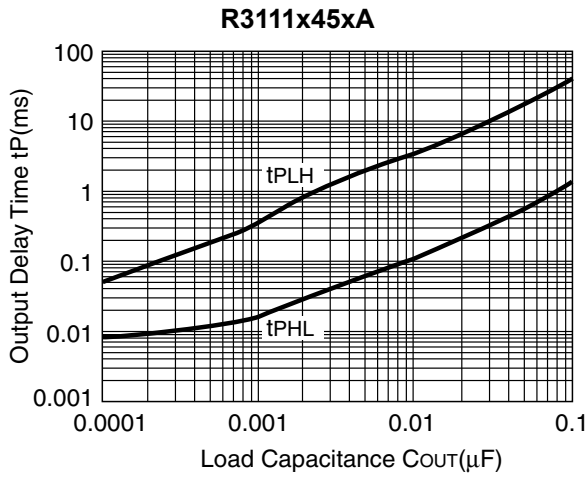
**R3111x**

**6) Pch Driver Output Current vs. Input Voltage**

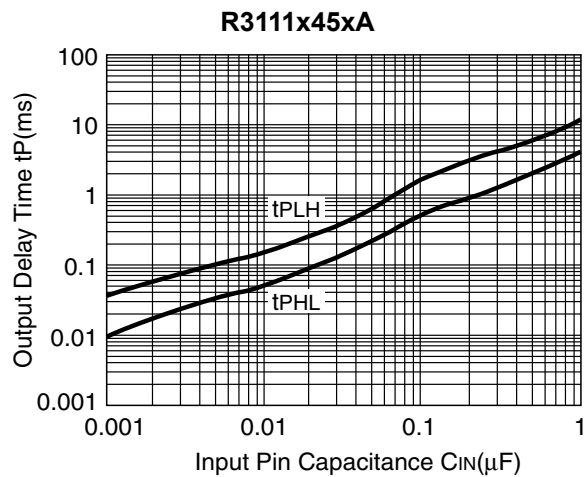
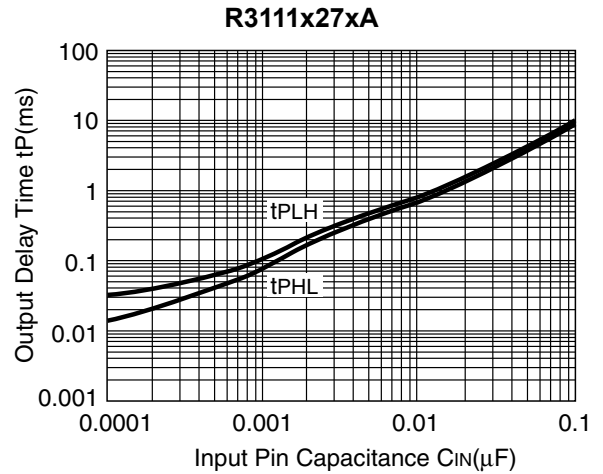
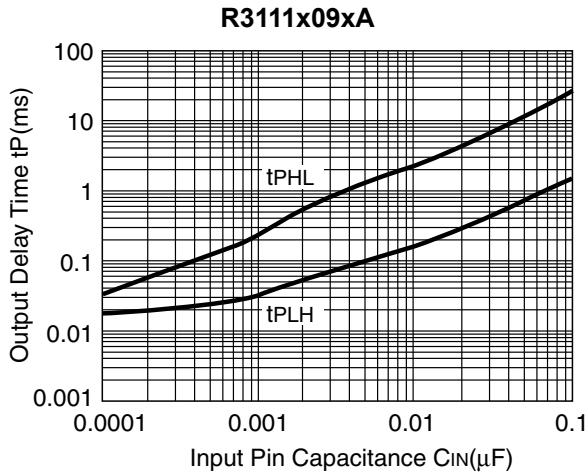


**7) Output Delay Time vs. Load Capacitance (Ta=25°C)**





**8) Output Delay Time vs. Input Pin Capacitance**

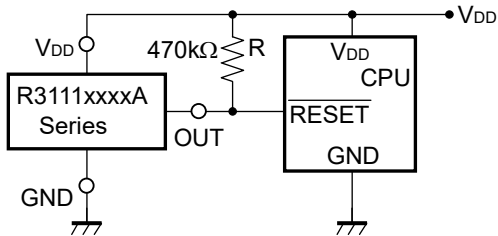


## R3111x

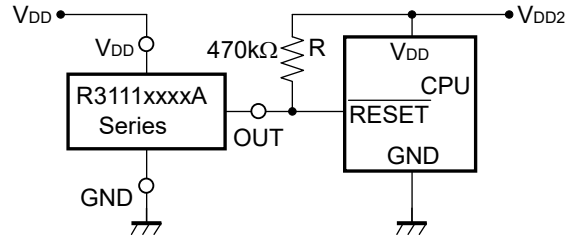
### TYPICAL APPLICATION

#### • R3111xxxxA CPU Reset Circuit (Nch Open Drain Output)

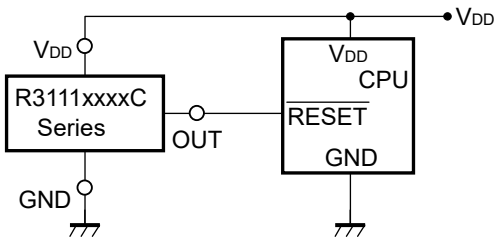
Case 1. Input Voltage to R3111xxxxA is equal to Input Voltage to CPU



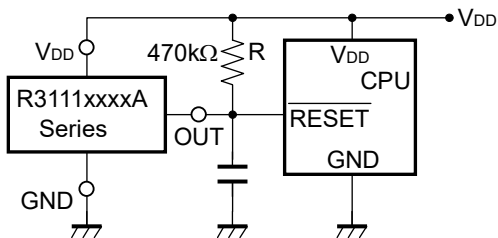
Case 2. Input Voltage to R3111xxxxA is unequal to Input Voltage to CPU



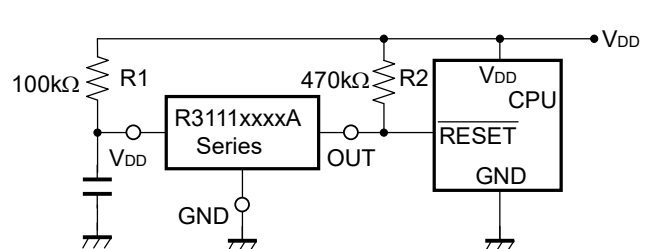
#### • R3111xxxxC CPU Reset Circuit (CMOS Output)



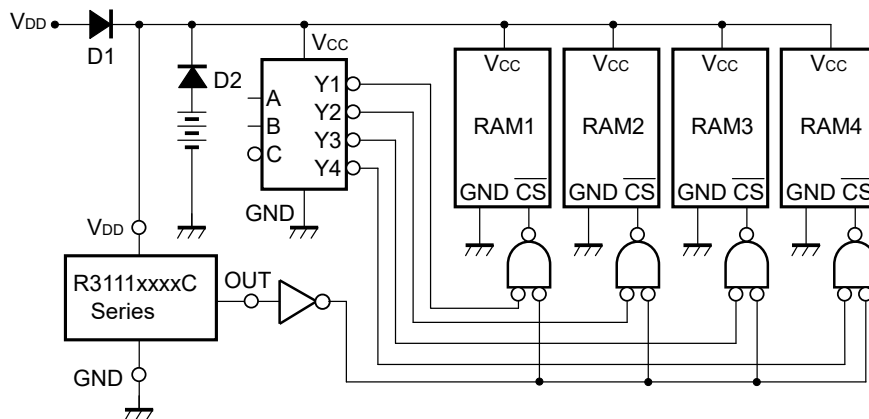
#### • R3111xxxxA Output Delay Time Circuit 1 (Nch Open Drain Output)



#### • R3111xxxxA Output Delay Time Circuit 2 (Nch Open Drain Output)

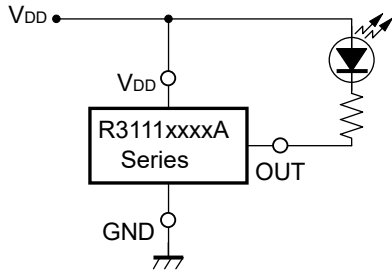


#### • Memory Back-up Circuit

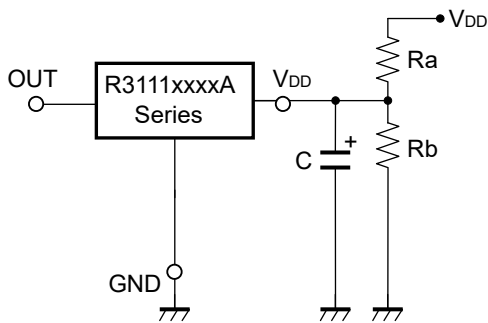




• **Voltage level Indicator Circuit (lighted when the power runs out)  
(Nch Open Drain Output)**



• **Detector Threshold Adjustable Circuit  
(Nch Open Drain Output)**

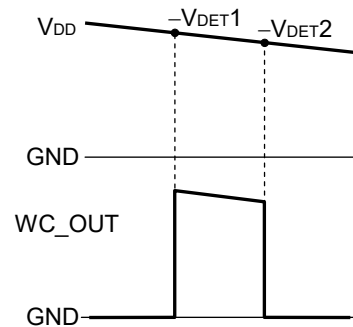
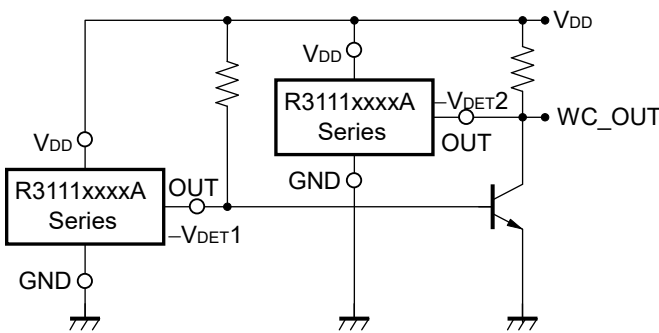


Adjusted Detector Threshold  
 $= (-V_{DET}) \times (Ra + Rb) / Rb$

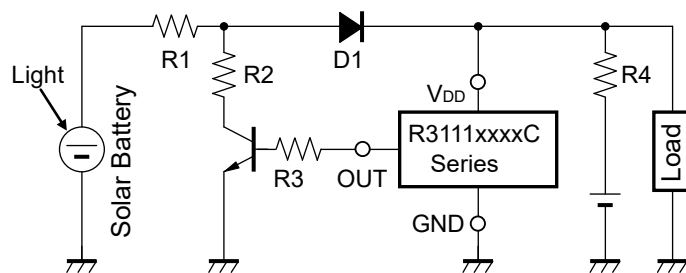
Hysteresis Voltage  
 $= (V_{HYS}) \times (Ra + Rb) / Rb$

\*) If the value of Ra is set excessively large, voltage drop may occur caused by the supply current of IC itself, and detector threshold may vary.

• **Window Comparator Circuit  
(Nch Open Drain Output)**



• **Over-charge Preventing Circuit**



## TECHNICAL NOTES

### When connecting resistors to the device's input pin

When connecting a resistor (R1) to an input of this device, the input voltage decreases by [Device's Consumption Current] x [Resistance Value] only. And, the cross conduction current\*<sup>1</sup>, which occurs when changing from the detecting state to the release state, is decreased the input voltage by [Cross Conduction Current] x [Resistance Value] only. And then, this device will enter the re-detecting state if the input voltage reduction is larger than the difference between the detector voltage and the released voltage.

When the input resistance value is large and the VDD is gone up at mildly in the vicinity of the released voltage, repeating the above operation may result in the occurrence of output.

As shown in Figure A/B, set R1 to become 100 kΩ or less as a guide, and connect C<sub>IN</sub> of 0.1 μF and more to between the input pin and GND. Besides, make evaluations including temperature properties under the actual usage condition, with using the evaluation board like this way. As a result, make sure that the cross conduction current has no problem.

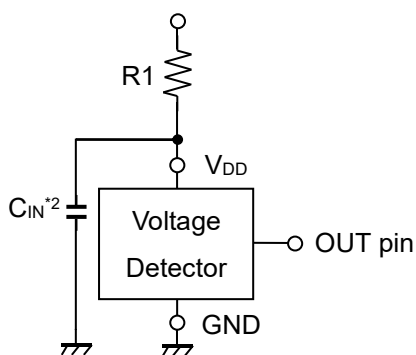


Figure A

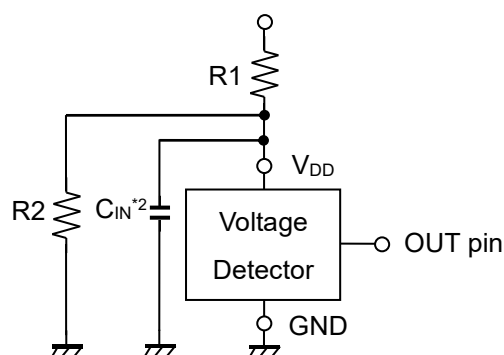


Figure B

\*<sup>1</sup> In the CMOS output type, a charging current for OUT pin is included.

\*<sup>2</sup> Note the bias dependence of capacitors.



1. The products and the product specifications described in this document are subject to change or discontinuation of production without notice for reasons such as improvement. Therefore, before deciding to use the products, please refer to Ricoh sales representatives for the latest information thereon.
2. The materials in this document may not be copied or otherwise reproduced in whole or in part without prior written consent of Ricoh.
3. Please be sure to take any necessary formalities under relevant laws or regulations before exporting or otherwise taking out of your country the products or the technical information described herein.
4. The technical information described in this document shows typical characteristics of and example application circuits for the products. The release of such information is not to be construed as a warranty of or a grant of license under Ricoh's or any third party's intellectual property rights or any other rights.
5. The products listed in this document are intended and designed for use as general electronic components in standard applications (office equipment, telecommunication equipment, measuring instruments, consumer electronic products, amusement equipment etc.). Those customers intending to use a product in an application requiring extreme quality and reliability, for example, in a highly specific application where the failure or misoperation of the product could result in human injury or death (aircraft, spacevehicle, nuclear reactor control system, traffic control system, automotive and transportation equipment, combustion equipment, safety devices, life support system etc.) should first contact us.
6. We are making our continuous effort to improve the quality and reliability of our products, but semiconductor products are likely to fail with certain probability. In order to prevent any injury to persons or damages to property resulting from such failure, customers should be careful enough to incorporate safety measures in their design, such as redundancy feature, fire containment feature and fail-safe feature. We do not assume any liability or responsibility for any loss or damage arising from misuse or inappropriate use of the products.
7. Anti-radiation design is not implemented in the products described in this document.
8. The X-ray exposure can influence functions and characteristics of the products. Confirm the product functions and characteristics in the evaluation stage.
9. WLCSP products should be used in light shielded environments. The light exposure can influence functions and characteristics of the products under operation or storage.
10. There can be variation in the marking when different AOI (Automated Optical Inspection) equipment is used. In the case of recognizing the marking characteristic with AOI, please contact Ricoh sales or our distributor before attempting to use AOI.
11. Please contact Ricoh sales representatives should you have any questions or comments concerning the products or the technical information.



**Ricoh is committed to reducing the environmental loading materials in electrical devices with a view to contributing to the protection of human health and the environment.**

Ricoh has been providing RoHS compliant products since April 1, 2006 and Halogen-free products since April 1, 2012.

**RICOH** RICOH ELECTRONIC DEVICES CO., LTD.

<http://www.e-devices.ricoh.co.jp/en/>

**Sales & Support Offices**

**RICOH ELECTRONIC DEVICES CO., LTD.**

**Higashi-Shinagawa Office (International Sales)**  
3-32-3, Higashi-Shinagawa, Shinagawa-ku, Tokyo 140-8655, Japan  
Phone: +81-3-5479-2857 Fax: +81-3-5479-0502

**RICOH EUROPE (NETHERLANDS) B.V.**

**Semiconductor Support Centre**  
Prof. W.H. Keesomlaan 1, 1183 DJ Amstelveen, The Netherlands  
Phone: +31-20-5474-309

**RICOH INTERNATIONAL B.V. - German Branch**

**Semiconductor Sales and Support Centre**  
Oberrather Strasse 6, 40472 Düsseldorf, Germany  
Phone: +49-211-6546-0

**RICOH ELECTRONIC DEVICES KOREA CO., LTD.**

3F, Haesung Bldg, 504, Teheran-ro, Gangnam-gu, Seoul, 135-725, Korea  
Phone: +82-2-2135-5700 Fax: +82-2-2051-5713

**RICOH ELECTRONIC DEVICES SHANGHAI CO., LTD.**

Room 403, No.2 Building, No.690 Bibo Road, Pu Dong New District, Shanghai 201203, People's Republic of China  
Phone: +86-21-5027-3200 Fax: +86-21-5027-3299

**RICOH ELECTRONIC DEVICES CO., LTD.**

**Taipei office**  
Room 109, 10F-1, No.51, Hengyang Rd., Taipei City, Taiwan (R.O.C.)  
Phone: +886-2-2313-1621/1622 Fax: +886-2-2313-1623