

| | |
|---------------------|------|
| V_{DSS} | 600V |
| $R_{DS(on)}$ (Max.) | 1.2Ω |
| I_D | 6A |
| P_D | 40W |

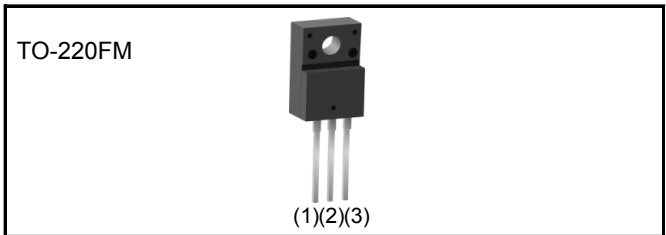
●Features

- 1) Low on-resistance.
- 2) Fast switching speed.
- 3) Gate-source voltage (V_{GSS}) guaranteed to be $\pm 30V$.
- 4) Drive circuits can be simple.
- 5) Parallel use is easy.
- 6) Pb-free lead plating ; RoHS compliant

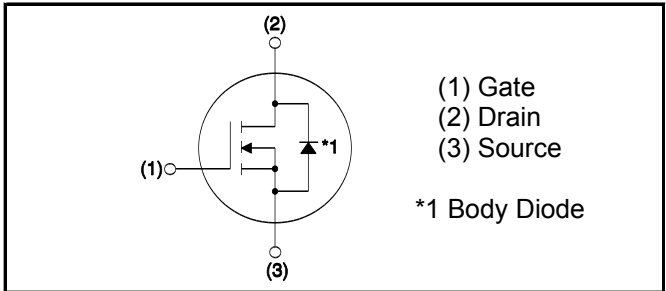
●Application

Switching Power Supply

●Outline



●Inner circuit



●Packaging specifications

| | | |
|------|---------------------------|----------|
| Type | Packing | Bulk |
| | Reel size (mm) | - |
| | Tape width (mm) | - |
| | Basic ordering unit (pcs) | 500 |
| | Taping code | - |
| | Marking | R6006ANX |

●Absolute maximum ratings ($T_a = 25^\circ C$)

| Parameter | Symbol | Value | Unit | |
|--|---------------------|-------------|------------|---|
| Drain - Source voltage | V_{DSS} | 600 | V | |
| Continuous drain current | $T_c = 25^\circ C$ | I_D^{*1} | ± 6 | A |
| | $T_c = 100^\circ C$ | I_D^{*1} | ± 2.9 | A |
| Pulsed drain current | $I_{D,pulse}^{*2}$ | ± 24 | A | |
| Gate - Source voltage | V_{GSS} | ± 30 | V | |
| Avalanche energy, single pulse | E_{AS}^{*3} | 2.4 | mJ | |
| Avalanche energy, repetitive | E_{AR}^{*4} | 1.9 | mJ | |
| Avalanche current | I_{AR}^{*3} | 3 | A | |
| Power dissipation ($T_c = 25^\circ C$) | P_D | 40 | W | |
| Junction temperature | T_j | 150 | $^\circ C$ | |
| Range of storage temperature | T_{stg} | -55 to +150 | $^\circ C$ | |
| Reverse diode dv/dt | dv/dt ^{*5} | 15 | V/ns | |

●Absolute maximum ratings

| Parameter | Symbol | Conditions | Values | Unit |
|------------------------------|--------|--|--------|------|
| Drain - Source voltage slope | dv/dt | $V_{DS} = 480V, I_D = 6A$ $T_j = 125^\circ C$ | 50 | V/ns |

●Thermal resistance

| Parameter | Symbol | Values | | | Unit |
|--|------------|--------|------|-------|--------------|
| | | Min. | Typ. | Max. | |
| Thermal resistance, junction - case | R_{thJC} | - | - | 3.125 | $^\circ C/W$ |
| Thermal resistance, junction - ambient | R_{thJA} | - | - | 70 | $^\circ C/W$ |
| Soldering temperature, wavesoldering for 10s | T_{sold} | - | - | 265 | $^\circ C$ |

●Electrical characteristics ($T_a = 25^\circ C$)

| Parameter | Symbol | Conditions | Values | | | Unit |
|---|-------------------|--|--------|------|-----------|----------|
| | | | Min. | Typ. | Max. | |
| Drain - Source breakdown voltage | $V_{(BR)DSS}$ | $V_{GS} = 0V, I_D = 1mA$ | 600 | - | - | V |
| Drain - Source avalanche breakdown voltage | $V_{(BR)DS}$ | $V_{GS} = 0V, I_D = 6A$ | - | 700 | - | V |
| Zero gate voltage drain current | I_{DSS} | $V_{DS} = 600V, V_{GS} = 0V$ $T_j = 25^\circ C$ | - | 0.1 | 100 | μA |
| | | $T_j = 125^\circ C$ | - | - | 1000 | |
| Gate - Source leakage current | I_{GSS} | $V_{GS} = \pm 30V, V_{DS} = 0V$ | - | - | ± 100 | nA |
| Gate threshold voltage | $V_{GS(th)}$ | $V_{DS} = 10V, I_D = 1mA$ | 2.5 | - | 4.5 | V |
| Static drain - source on - state resistance | $R_{DS(on)}^{*6}$ | $V_{GS} = 10V, I_D = 3A$ $T_j = 25^\circ C$ | - | 0.9 | 1.2 | Ω |
| | | $T_j = 125^\circ C$ | - | 1.9 | - | |
| Gate input resistance | R_G | f = 1MHz, open drain | - | 7.6 | - | Ω |

●Electrical characteristics (T_a = 25°C)

| Parameter | Symbol | Conditions | Values | | | Unit |
|--|-------------------|---|--------|------|------|------|
| | | | Min. | Typ. | Max. | |
| Transconductance | g_{fs}^{*6} | $V_{DS} = 10V, I_D = 3.0A$ | 1.7 | 3.5 | - | S |
| Input capacitance | C_{iss} | $V_{GS} = 0V$ | - | 520 | - | pF |
| Output capacitance | C_{oss} | $V_{DS} = 25V$ | - | 380 | - | |
| Reverse transfer capacitance | C_{rss} | $f = 1MHz$ | - | 25 | - | |
| Effective output capacitance, energy related | $C_{o(er)}$ | $V_{GS} = 0V$ $V_{DS} = 0V \text{ to } 480V$ | - | 25 | - | pF |
| Effective output capacitance, time related | $C_{o(tr)}$ | | - | 25 | - | |
| Turn - on delay time | $t_{d(on)}^{*6}$ | $V_{DD} \approx 300V, V_{GS} = 10V$ | - | 22 | - | ns |
| Rise time | t_r^{*6} | $I_D = 3A$ | - | 18 | - | |
| Turn - off delay time | $t_{d(off)}^{*6}$ | $R_L = 100\Omega$ | - | 50 | 100 | |
| Fall time | t_f^{*6} | $R_G = 10\Omega$ | - | 35 | 70 | |

●Gate Charge characteristics (T_a = 25°C)

| Parameter | Symbol | Conditions | Values | | | Unit |
|----------------------|-----------------|---------------------------------|--------|------|------|------|
| | | | Min. | Typ. | Max. | |
| Total gate charge | Q_g^{*6} | $V_{DD} \approx 300V$ | - | 15 | - | nC |
| Gate - Source charge | Q_{gs}^{*6} | $I_D = 6A$ | - | 4 | - | |
| Gate - Drain charge | Q_{gd}^{*6} | $V_{GS} = 10V$ | - | 6 | - | |
| Gate plateau voltage | $V_{(plateau)}$ | $V_{DD} \approx 300V, I_D = 6A$ | - | 6.0 | - | V |

*1 Limited only by maximum temperature allowed.

*2 $PW \leq 10\mu s$, Duty cycle $\leq 1\%$

*3 $L \approx 500\mu H$, $V_{DD} = 50V$, $R_G = 25\Omega$, starting $T_j = 25^\circ C$

*4 $L \approx 500\mu H$, $V_{DD} = 50V$, $R_G = 25\Omega$, starting $T_j = 25^\circ C$, $f = 10kHz$

*5 Reference measurement circuits Fig.5-1.

*6 Pulsed

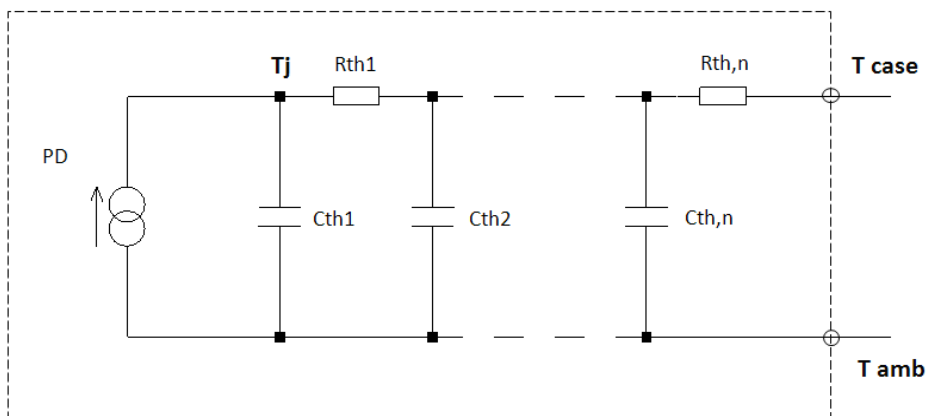
●Body diode electrical characteristics (Source-Drain) ($T_a = 25^\circ\text{C}$)

| Parameter | Symbol | Conditions | Values | | | Unit |
|---|----------------|--|--------|------|------|------------------------|
| | | | Min. | Typ. | Max. | |
| Inverse diode continuous, forward current | I_S^{*1} | $T_c = 25^\circ\text{C}$ | - | - | 6 | A |
| Inverse diode direct current, pulsed | I_{SM}^{*2} | | - | - | 24 | A |
| Forward voltage | V_{SD}^{*6} | $V_{GS} = 0\text{V}, I_S = 6\text{A}$ | - | - | 1.5 | V |
| Reverse recovery time | t_{rr}^{*6} | $I_S = 6\text{A}$ $di/dt = 100\text{A}/\mu\text{s}$ | - | 302 | - | ns |
| Reverse recovery charge | Q_{rr}^{*6} | | - | 2.0 | - | μC |
| Peak reverse recovery current | I_{rrm}^{*6} | | - | 13 | - | A |
| Peak rate of fall of reverse recovery current | di_{rr}/dt | $T_j = 25^\circ\text{C}$ | - | 300 | - | $\text{A}/\mu\text{s}$ |

●Typical Transient Thermal Characteristics

| Symbol | Value | Unit |
|-----------|-------|------|
| R_{th1} | 0.342 | K/W |
| R_{th2} | 1.15 | |
| R_{th3} | 2.19 | |

| Symbol | Value | Unit |
|-----------|---------|------|
| C_{th1} | 0.00138 | Ws/K |
| C_{th2} | 0.0146 | |
| C_{th3} | 0.452 | |



●Electrical characteristic curves

Fig.1 Power Dissipation Derating Curve

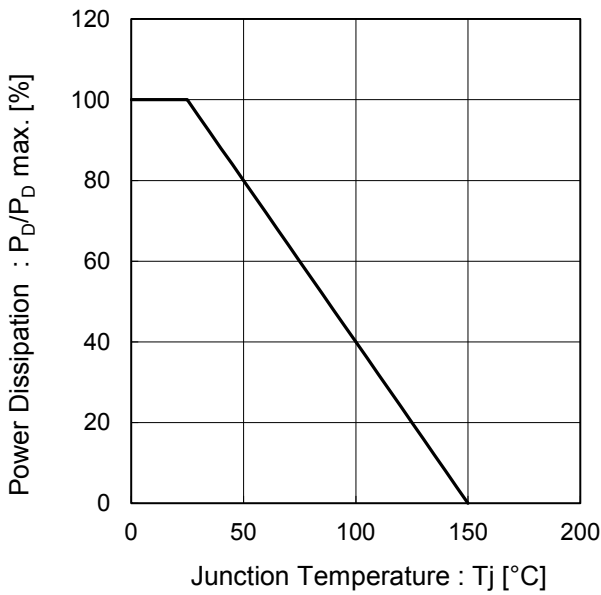


Fig.2 Maximum Safe Operating Area

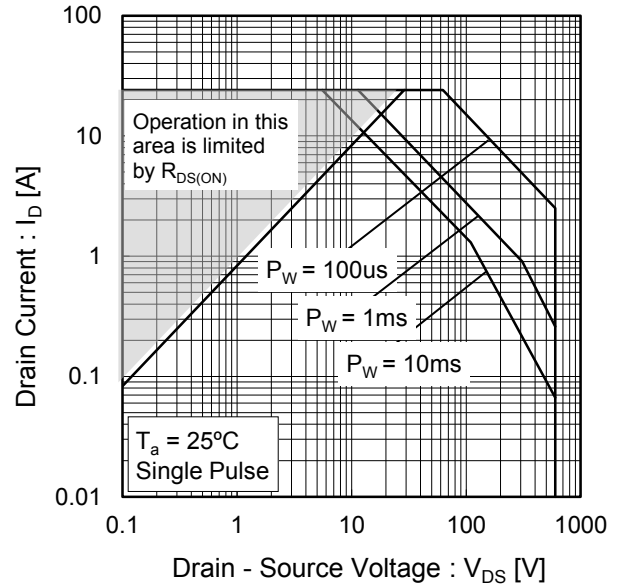
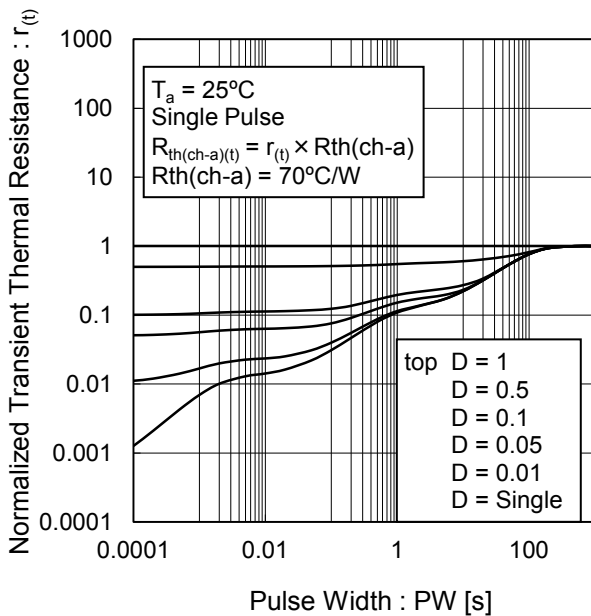


Fig.3 Normalized Transient Thermal Resistance vs. Pulse Width



●Electrical characteristic curves

Fig.4 Avalanche Current vs Inductive Load

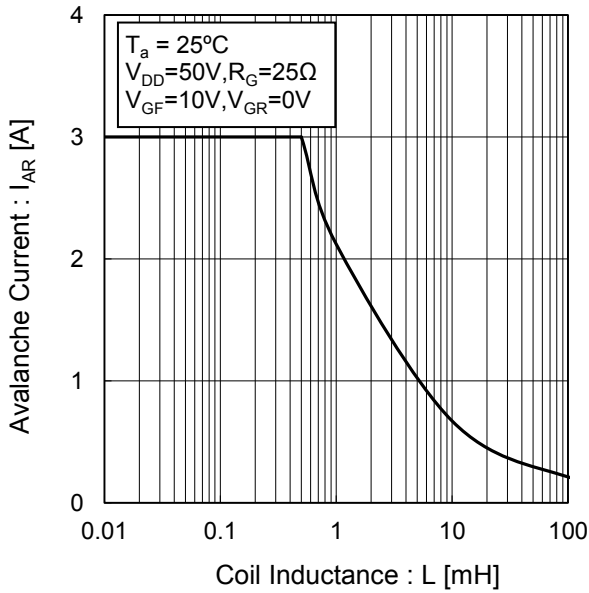


Fig.5 Avalanche Power Losses

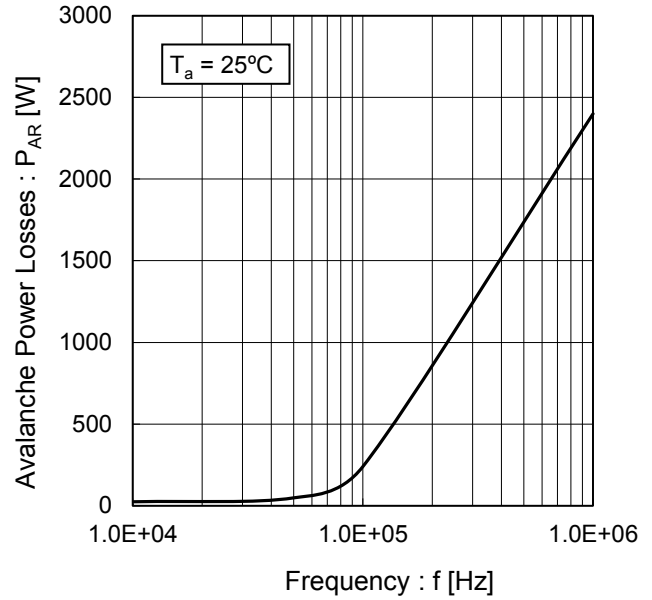
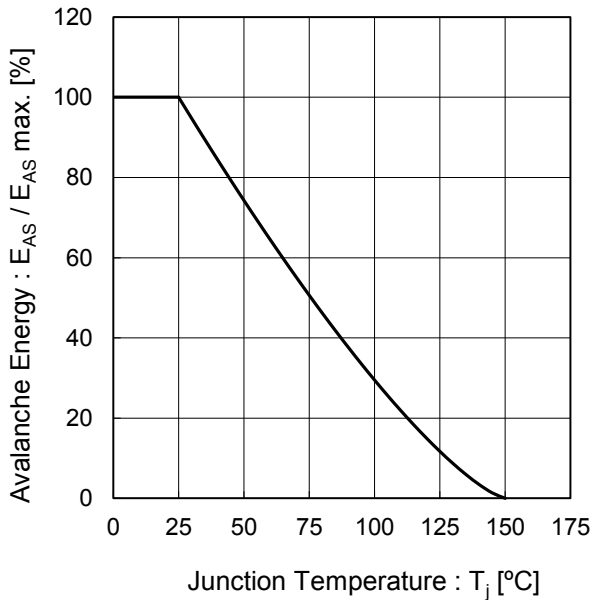


Fig.6 Avalanche Energy Derating Curve vs Junction Temperature



●Electrical characteristic curves

Fig.7 Typical Output Characteristics(I)

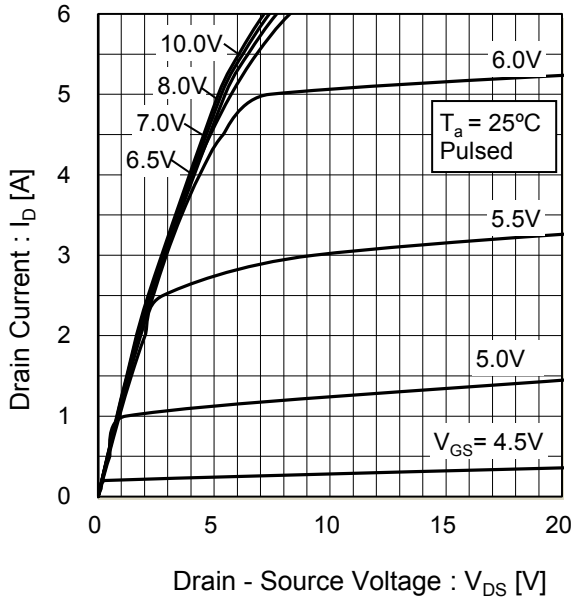


Fig.8 Typical Output Characteristics(II)

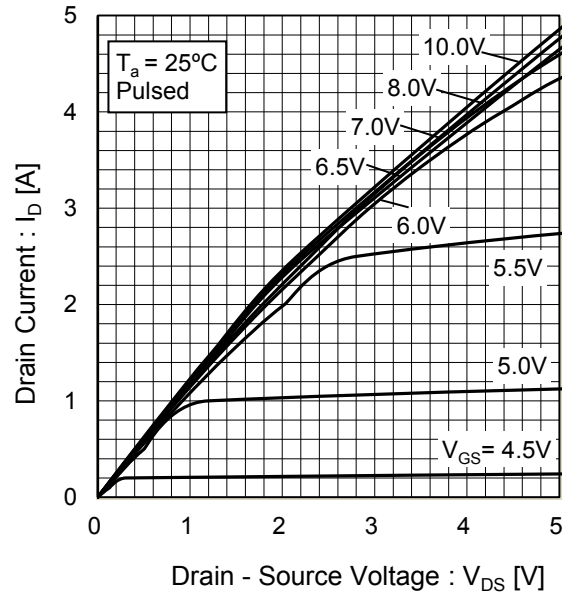


Fig.9 $T_j = 150^\circ\text{C}$ Typical Output Characteristics(I)

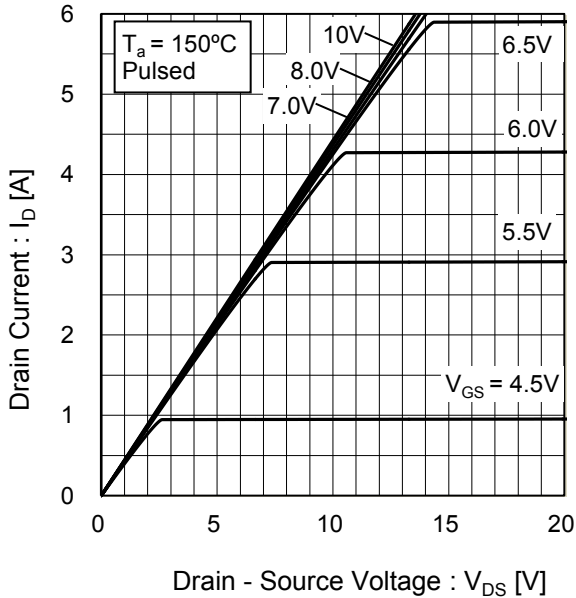
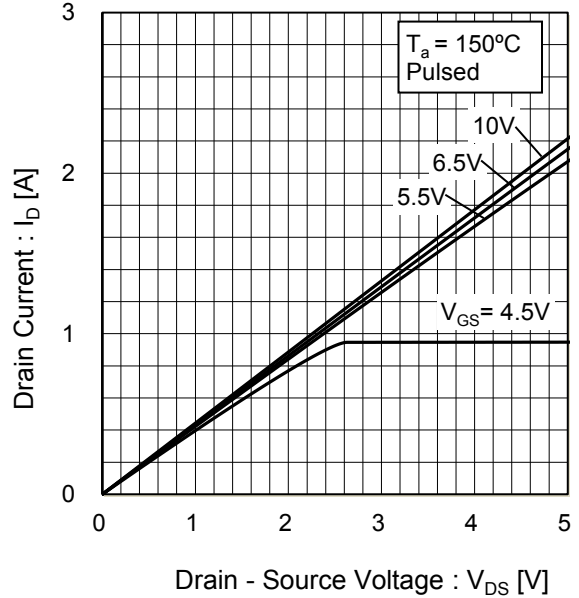


Fig.10 $T_j = 150^\circ\text{C}$ Typical Output Characteristics(II)



●Electrical characteristic curves

Fig.11 Breakdown Voltage vs. Junction Temperature

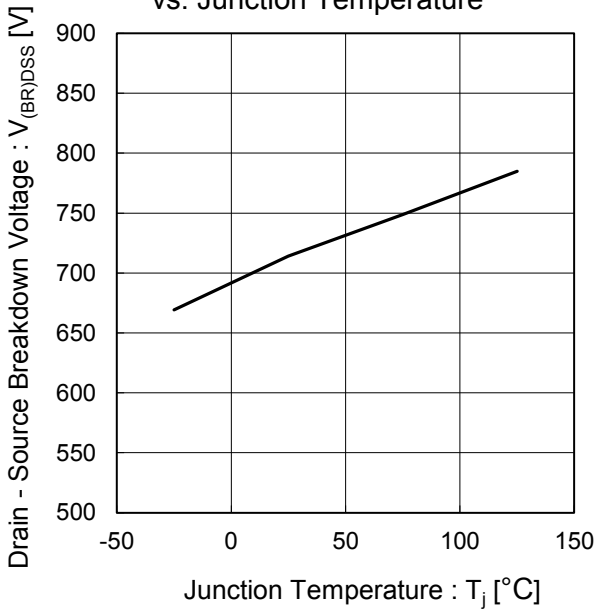


Fig.12 Typical Transfer Characteristics

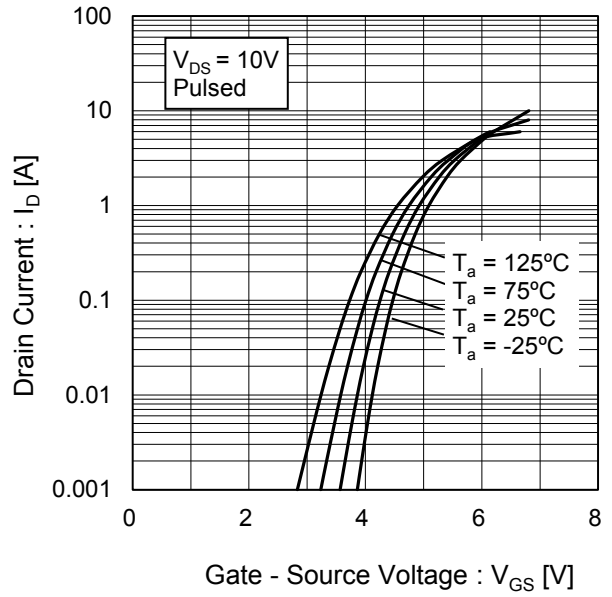


Fig.13 Gate Threshold Voltage vs. Junction Temperature

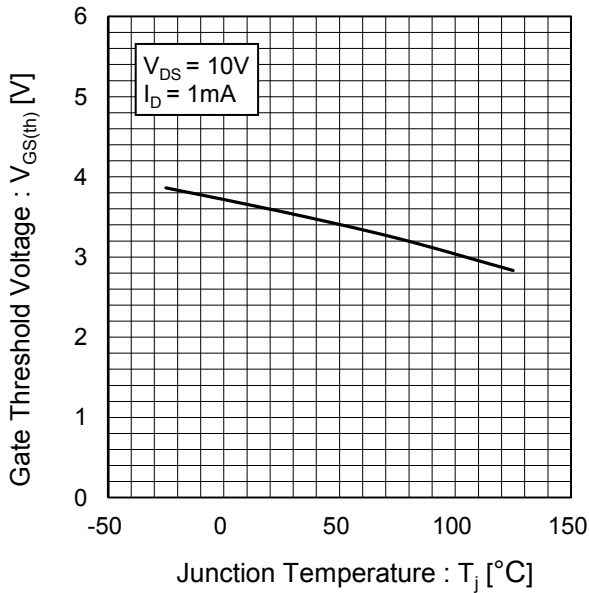
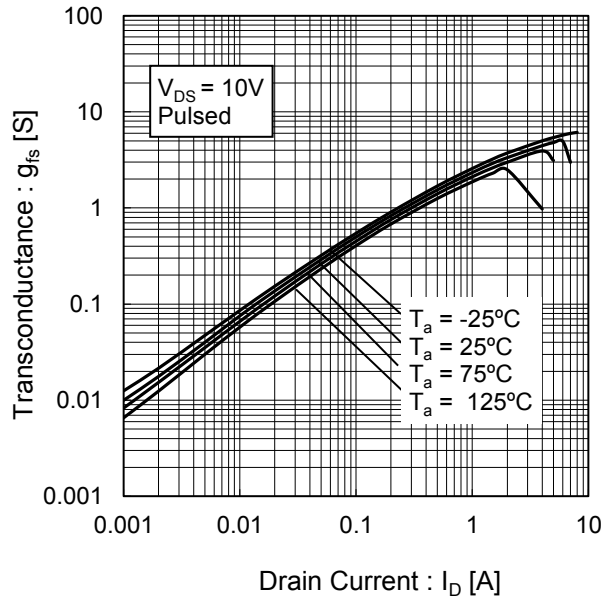


Fig.14 Transconductance vs. Drain Current



●Electrical characteristic curves

Fig.15 Static Drain - Source On - State Resistance vs. Gate Source Voltage

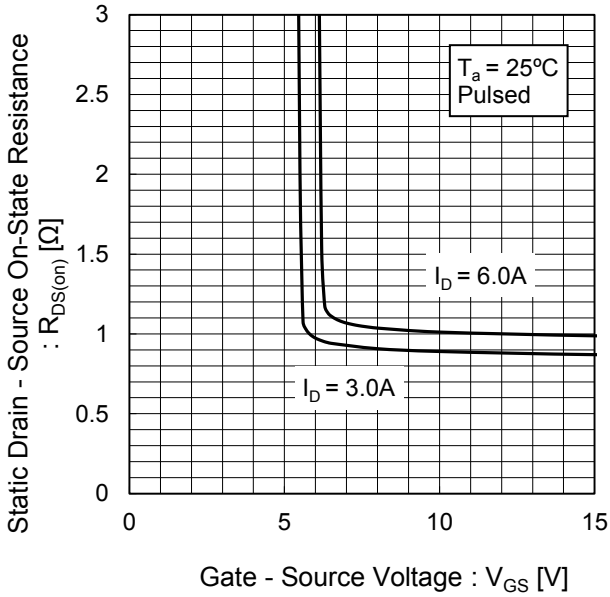


Fig.16 Static Drain - Source On - State Resistance vs. Junction Temperature

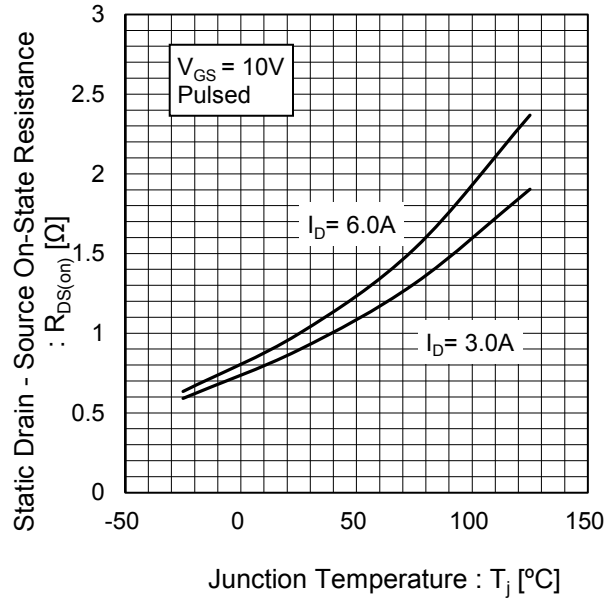
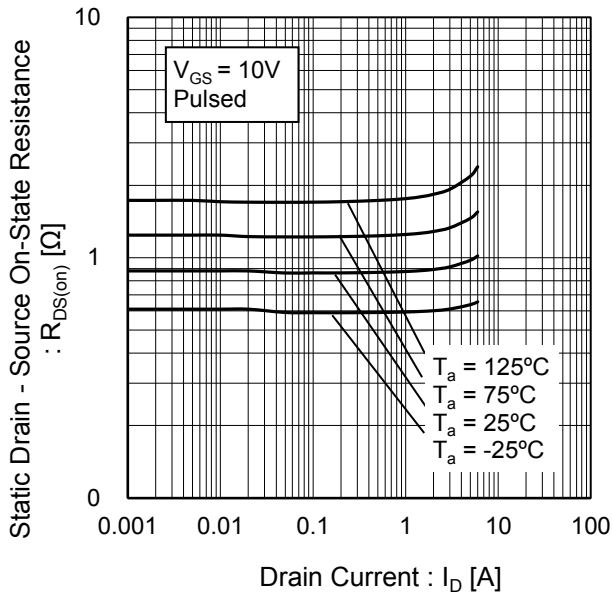


Fig.17 Static Drain - Source On - State Resistance vs. Drain Current



●Electrical characteristic curves

Fig.18 Typical Capacitance vs. Drain - Source Voltage

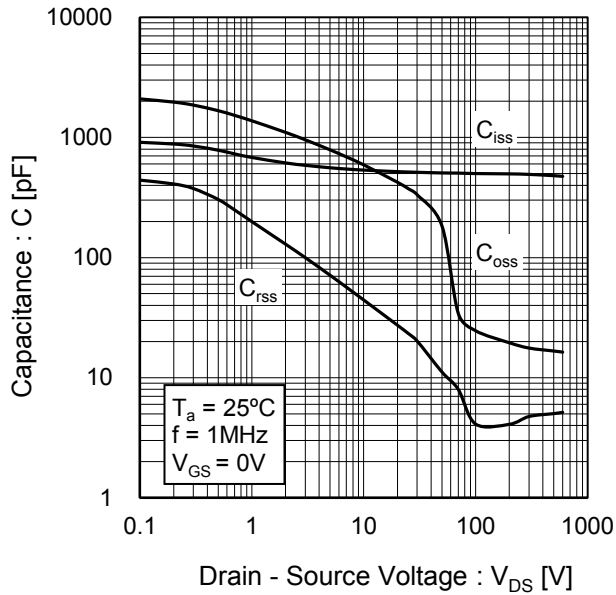


Fig.19 Coss Stored Energy

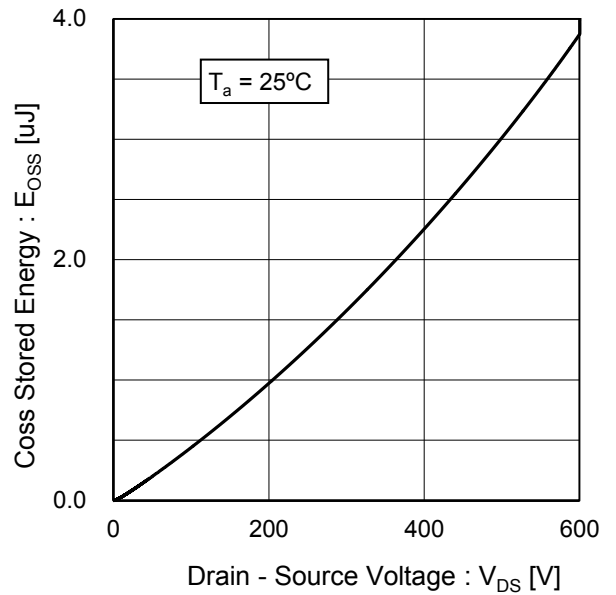


Fig.20 Switching Characteristics

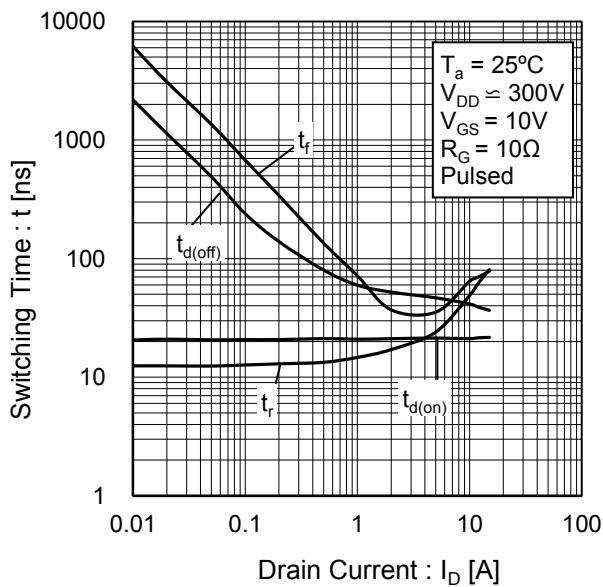
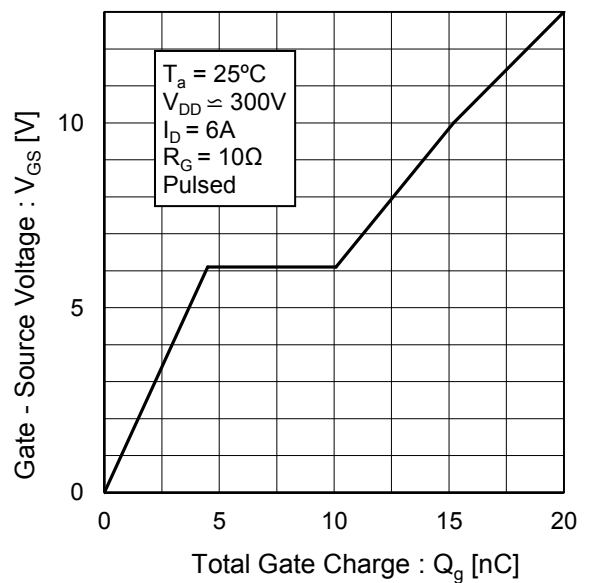


Fig.21 Dynamic Input Characteristics



●Electrical characteristic curves

Fig.22 Inverse Diode Forward Current vs. Source - Drain Voltage

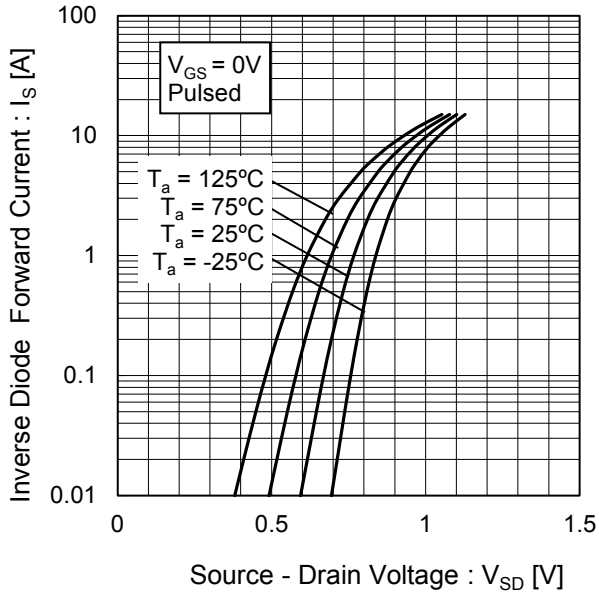
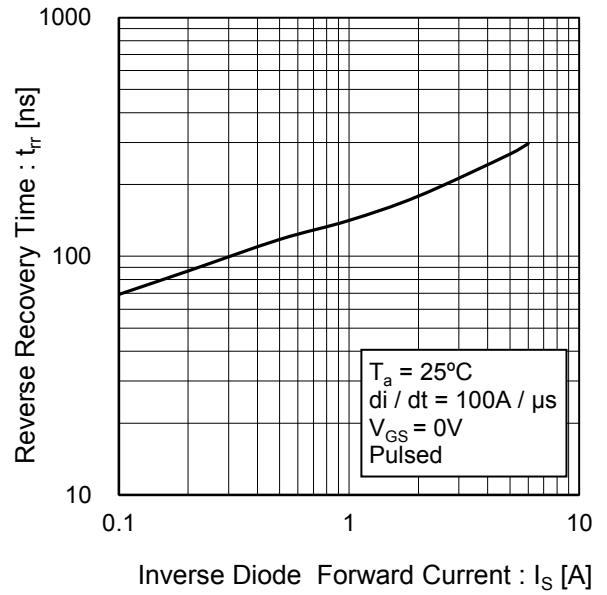


Fig.23 Reverse Recovery Time vs. Inverse Diode Forward Current



● Measurement circuits

Fig.1-1 Switching Time Measurement Circuit

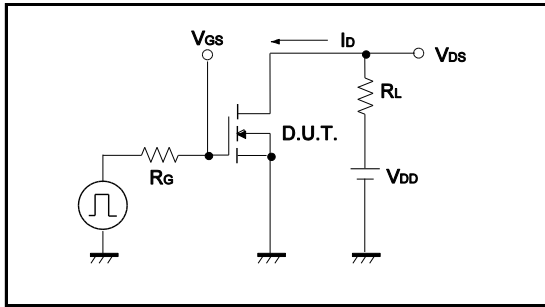


Fig.1-2 Switching Waveforms

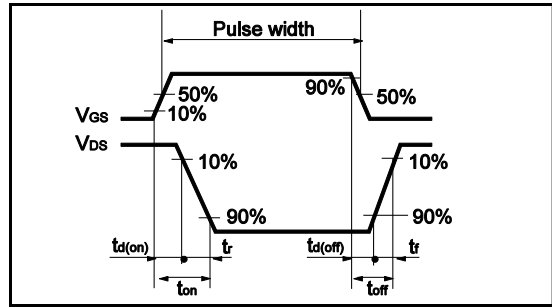


Fig.2-1 Gate Charge Measurement Circuit

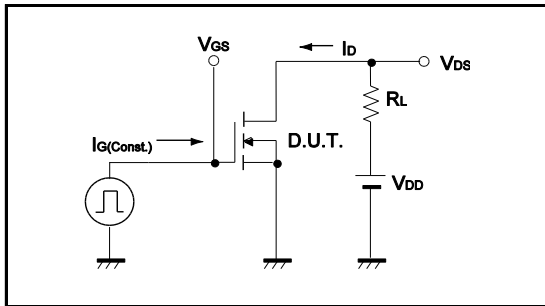


Fig.2-2 Gate Charge Waveform

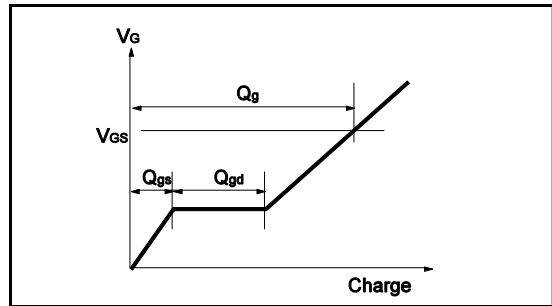


Fig.3-1 Avalanche Measurement Circuit

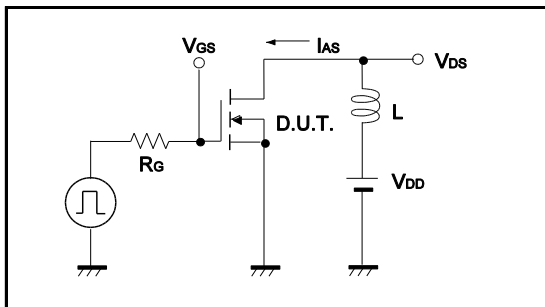


Fig.3-2 Avalanche Waveform

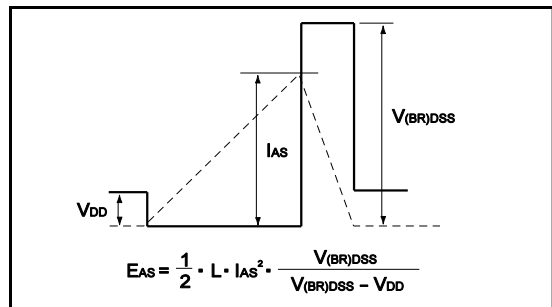


Fig.4-1 dv/dt Measurement Circuit

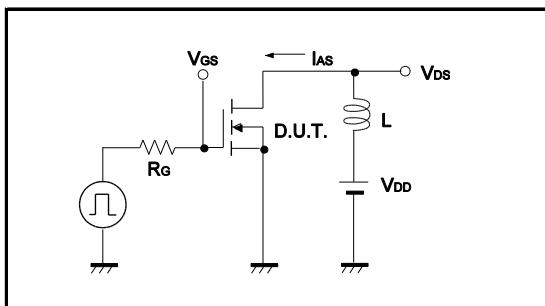


Fig.4-2 dv/dt Waveform

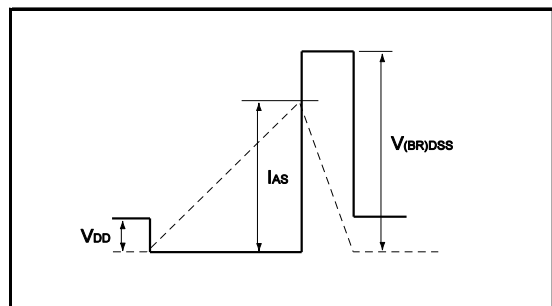


Fig.5-1 di/dt Measurement Circuit

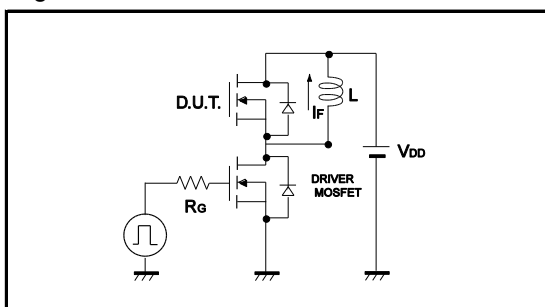
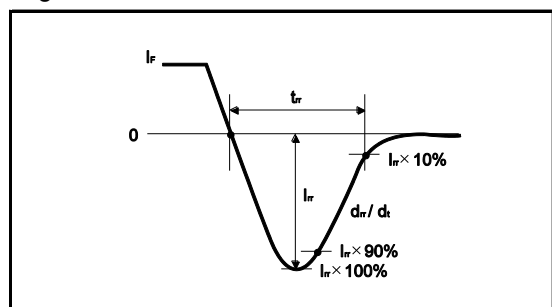
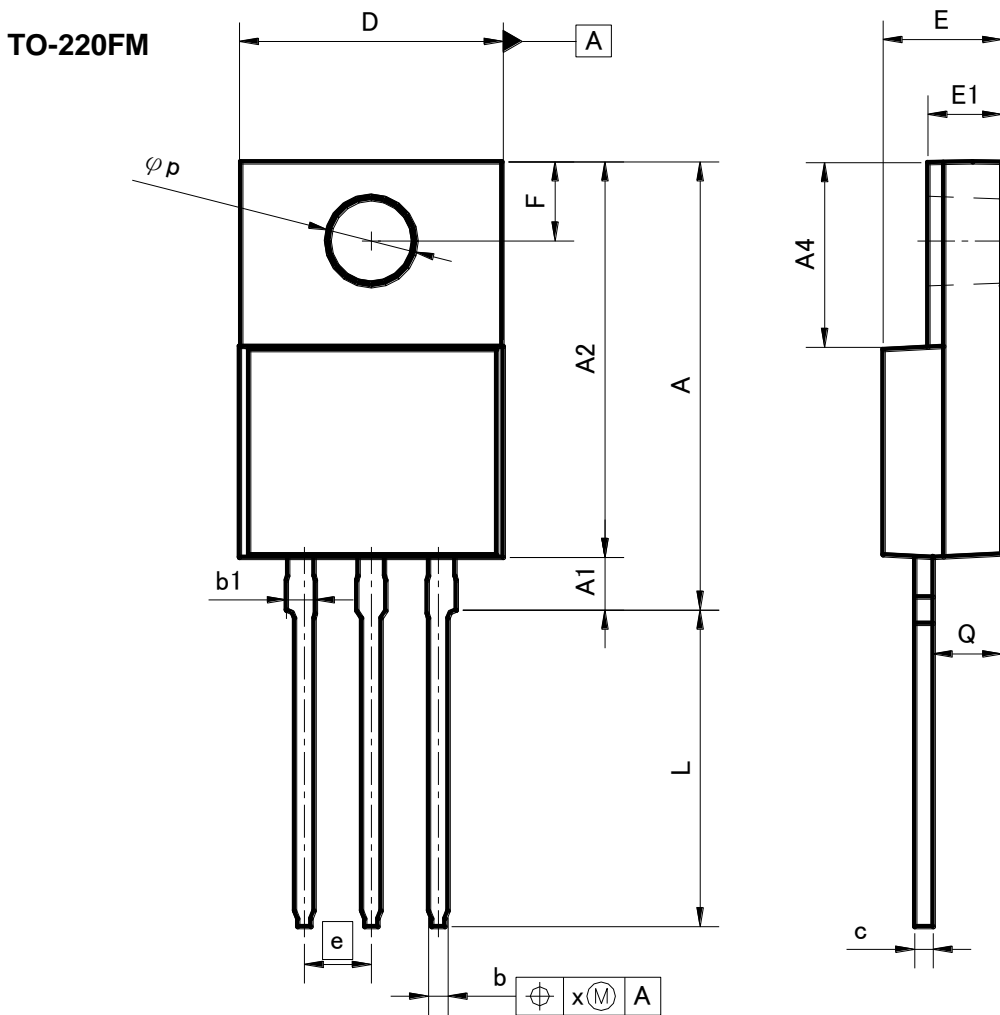


Fig.5-2 di/dt Waveform



●Dimensions (Unit : mm)



| DIM | MILIMETERS | | INCHES | |
|-----|------------|-------|--------|-------|
| | MIN | MAX | MIN | MAX |
| A | 16.60 | 17.60 | 0.654 | 0.693 |
| A1 | 1.80 | 2.20 | 0.071 | 0.087 |
| A2 | 14.80 | 15.40 | 0.583 | 0.606 |
| A4 | 6.80 | 7.20 | 0.268 | 0.283 |
| b | 0.70 | 0.85 | 0.028 | 0.033 |
| b1 | 1.10 | 1.50 | 0.043 | 0.059 |
| c | 0.70 | 0.85 | 0.028 | 0.033 |
| D | 9.90 | 10.30 | 0.39 | 0.406 |
| E | 4.40 | 4.80 | 0.173 | 0.189 |
| e | 2.54 | | 0.10 | |
| E1 | 2.70 | 3.00 | 0.106 | 0.118 |
| F | 2.80 | 3.20 | 0.11 | 0.126 |
| L | 11.50 | 12.50 | 0.453 | 0.492 |
| p | 3.00 | 3.40 | 0.118 | 0.134 |
| Q | 2.10 | 3.10 | 0.083 | 0.122 |
| x | - | 0.381 | - | 0.015 |

Dimension in mm/inches

Notes

No copying or reproduction of this document, in part or in whole, is permitted without the consent of ROHM Co.,Ltd.

The content specified herein is subject to change for improvement without notice.

The content specified herein is for the purpose of introducing ROHM's products (hereinafter "Products"). If you wish to use any such Product, please be sure to refer to the specifications, which can be obtained from ROHM upon request.

Examples of application circuits, circuit constants and any other information contained herein illustrate the standard usage and operations of the Products. The peripheral conditions must be taken into account when designing circuits for mass production.

Great care was taken in ensuring the accuracy of the information specified in this document. However, should you incur any damage arising from any inaccuracy or misprint of such information, ROHM shall bear no responsibility for such damage.

The technical information specified herein is intended only to show the typical functions of and examples of application circuits for the Products. ROHM does not grant you, explicitly or implicitly, any license to use or exercise intellectual property or other rights held by ROHM and other parties. ROHM shall bear no responsibility whatsoever for any dispute arising from the use of such technical information.

The Products specified in this document are intended to be used with general-use electronic equipment or devices (such as audio visual equipment, office-automation equipment, communication devices, electronic appliances and amusement devices).

The Products specified in this document are not designed to be radiation tolerant.

While ROHM always makes efforts to enhance the quality and reliability of its Products, a Product may fail or malfunction for a variety of reasons.

Please be sure to implement in your equipment using the Products safety measures to guard against the possibility of physical injury, fire or any other damage caused in the event of the failure of any Product, such as derating, redundancy, fire control and fail-safe designs. ROHM shall bear no responsibility whatsoever for your use of any Product outside of the prescribed scope or not in accordance with the instruction manual.

The Products are not designed or manufactured to be used with any equipment, device or system which requires an extremely high level of reliability the failure or malfunction of which may result in a direct threat to human life or create a risk of human injury (such as a medical instrument, transportation equipment, aerospace machinery, nuclear-reactor controller, fuel-controller or other safety device). ROHM shall bear no responsibility in any way for use of any of the Products for the above special purposes. If a Product is intended to be used for any such special purpose, please contact a ROHM sales representative before purchasing.

If you intend to export or ship overseas any Product or technology specified herein that may be controlled under the Foreign Exchange and the Foreign Trade Law, you will be required to obtain a license or permit under the Law.



Thank you for your accessing to ROHM product informations.
More detail product informations and catalogs are available, please contact us.

ROHM Customer Support System

<http://www.rohm.com/contact/>