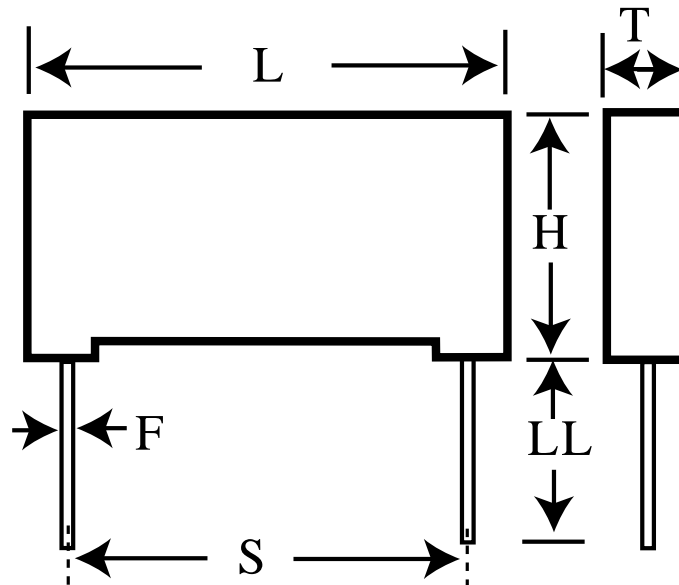


R76QD1100SE40J

aka 76QD1100SE40J

Capacitor, film, 1000 pF, +/-5% Tol, -55/+105C, General Purpose, 1000V@85C, Lead Spacing=7.5 mm



Dimensions (mm)

Specifications

ID	Dimension	Tolerance	Manufacturer:	KEMET
L	10	+0.2	Brand:	Arcotronics
H	9	+0.1	Capacitance:	1000 pF
T	4	+0.1	Temperature Range:	-55/+105C
S	7.5	+/-0.4	Rated Temperature:	85C
LL	4	+2	Voltage @ rated temp:	1000V
F	0.5	+/-0.05	Voltage AC:	400VAC
			Tolerance:	+/-5%
			Body Type:	Radial Box
			Construction:	Double Metallized
			Application:	General Purpose
			Sub Application:	Pulse
			Dissipation Factor @ 1 kHz:	0.03%
			Dissipation Factor @ 10 kHz:	0.04%
			Dissipation Factor @ 100kHz:	0.15%
			Insulation Resistance:	100 GOhm
			Inductance:	8 nH
			Maximum dVdT:	6000v/us
			Maximum K0:	12000000V^2/us
			Package Kind:	Bulk
			Package Type:	Bag
			Package Quantity:	2000