

1.00mm(.039") HOUSING

MATERIAL

Insulator: PBT UL 94V-0

SPECIFICATIONS

Temperature Range: -25°C ~ +85°C
 Current Rating: 1.0A
 Voltage Rating: 50V AC
 Dielectric Withstand Voltage: 500V AC
 Insulation Resistance: 500 MΩ
 Contact Resistance: 0.02Ω max.

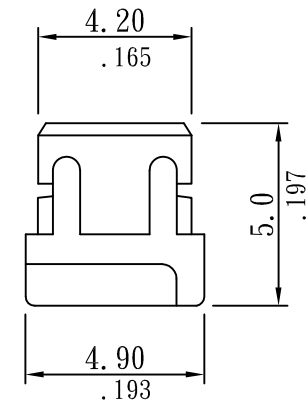
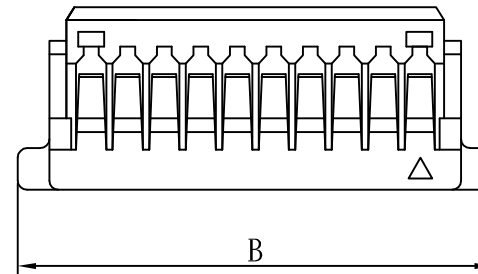
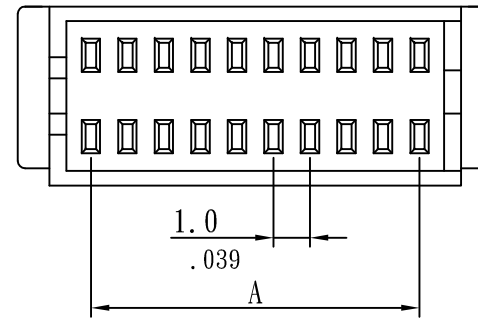
Mates with S.Y.E. R8403 Terminal

Mates with S.Y.E. R8401 Wafer(Headers)

Order Information

R 8400-xxP D-Y
 1 2 3 4 5

1. RoHS
2. Series
3. Pin No.
4. Dual row
5. With ears



Dimensional Information

Circuits	Dim. A	Dim. B
20	9.00(0.354)	13.00(0.512)
30	14.00(0.551)	18.00(0.709)
40	19.00(0.748)	23.00(0.906)
50	24.00(0.945)	28.00(1.102)



Sunny Young Enterprise Co., Ltd.

S. Y. E <http://www.sunnyyoung.com.tw>

No. 276, Nan Yang St., Hsi-Chih City, 221, Taipei County, Taiwan

Tel:+886 2 2694 5995(REP) Fax:+886 2 2694 3721

DWG NAME

R8400-xxPD-Y (RoHS)

CHECKED

APPROVED

SCALE: 1:5

REV NO

DATE

DESCRIPTION

BY

CHECKED

TOLERANCE UNLESS NOTED

PIQI

MARS

UNIT: mm(in)

A

DRAWN NAME

DATE

CAD NO

B

PC(S003)

2008.10.23-01

R8400-xxPD-Y

C

LINEAR±

.0 ±0.30(.012)

.00 ±0.20(.008)

.000±0.10(.004)

1.00mm(.039") HOUSING

MATERIAL

Insulator: PBT UL 94V-0

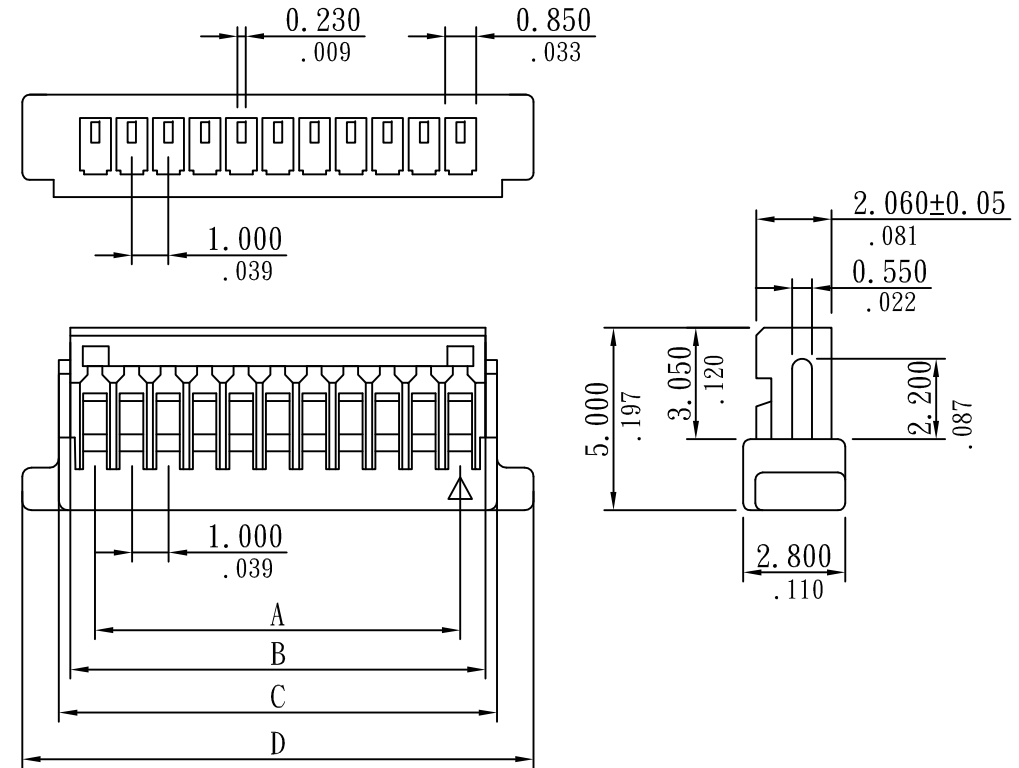
SPECIFICATIONS

Temperature Range: -25°C ~ +85°C
 Current Rating: 1.0A
 Voltage Rating: 50V AC
 Dielectric Withstand Voltage: 500V AC
 Insulation Resistance: 100 MΩ
 Contact Resistance: 0.02Ω max.
 Mates with S.Y.E. R8403 Terminal
 Mates with S.Y.E. R8401 Wafer(Headers)

Order Information

R 8400-xxP S-Y
 1 2 3 4 5

1. RoHS
2. Series
3. Pin No.
4. Single row
5. With ears



"D" TOLERANCE: 2P~10P±0.10mm
 11P~20P±0.20mm

Dimensional Information

Circuits	Dim. A	Dim. B	Dim. C	Dim. D	Circuits	Dim. A	Dim. B	Dim. C	Dim. D
2	1.00(0.039)	2.37(0.093)	3.00(0.118)	5.00(0.197)	12	11.00(0.433)	12.37(0.487)	13.00(0.512)	15.00(0.591)
3	2.00(0.079)	3.37(0.133)	4.00(0.157)	6.00(0.236)	13	12.00(0.472)	13.37(0.526)	14.00(0.551)	16.00(0.630)
4	3.00(0.118)	4.37(0.172)	5.00(0.197)	7.00(0.276)	14	13.00(0.512)	14.37(0.566)	15.00(0.591)	17.00(0.669)
5	4.00(0.157)	5.37(0.211)	6.00(0.236)	8.00(0.315)	15	14.00(0.551)	15.37(0.605)	16.00(0.630)	18.00(0.709)
6	5.00(0.197)	6.37(0.251)	7.00(0.276)	9.00(0.354)	16	15.00(0.591)	16.37(0.644)	17.00(0.669)	19.00(0.748)
7	6.00(0.236)	7.37(0.290)	8.00(0.315)	10.00(0.394)	17	16.00(0.630)	17.37(0.684)	18.00(0.709)	20.00(0.787)
8	7.00(0.276)	8.37(0.330)	9.00(0.354)	11.00(0.433)	18	17.00(0.669)	18.37(0.723)	19.00(0.748)	21.00(0.827)
9	8.00(0.315)	9.37(0.369)	10.00(0.394)	12.00(0.472)	19	18.00(0.709)	19.37(0.763)	20.00(0.787)	22.00(0.866)
10	9.00(0.354)	10.37(0.408)	11.00(0.433)	13.00(0.512)	20	19.00(0.748)	20.37(0.802)	21.00(0.827)	23.00(0.906)
11	10.00(0.394)	11.37(0.448)	12.00(0.472)	14.00(0.551)					



Sunny Young Enterprise Co., Ltd.

S. Y. E. <http://www.sunnyyoung.com.tw>

No. 276, Nan Yang St., Hsi-Chih City, 221, Taipei County, Taiwan

Tel:+886 2 2694 5995(REP) Fax:+886 2 2694 3721

DWG NAME

R8400-xxPS-Y (RoHS)

CHECKED

APPROVED

SCALE: 1:5

REV NO

DATE

DESCRIPTION

BY

CHECKED

TOLERANCE UNLESS NOTED

PIQI

MARS

UNIT: mm(in)

A

.0 ±0.30(.012)

DRAWN NAME

DATE

CAD NO

B

.00 ±0.20(.008)

PC(S003)

2008.10.23-04

R8400-xxPS-Y

C

.000±0.10(.004)

1.00mm(.039") WAFER SMT TYPE 180°

MATERIAL

Insulator: High Temperature Plastic UL94V-0
 Color: Natural
 Contact: Phosphor bronze
 Plating: Tin plated

SPECIFICATIONS

Temperature range: -25°C ~ +85°C
 Current rating: 1.0A
 Voltage rating: 50V AC
 Dielectric withstand voltage: 500V AC
 Insulation resistance: 100MΩ Min.
 Contact resistance: 0.02Ω Max.

Order Information

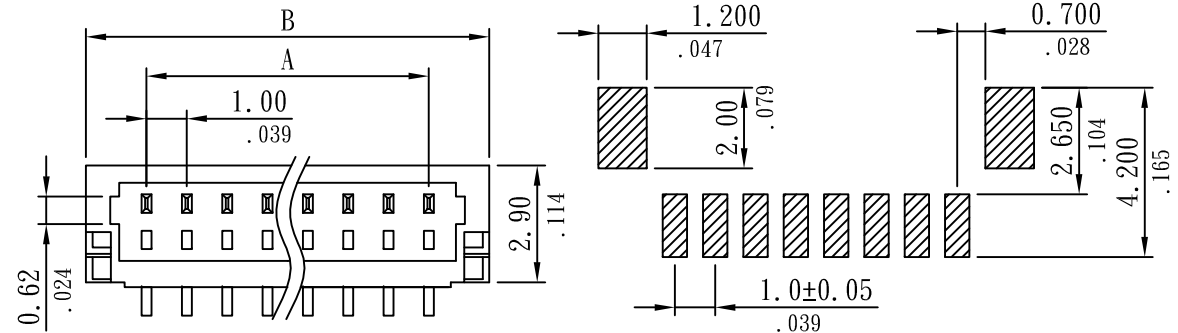
R 8401-xx T S-S-N-SMT
 1 2 3 4 5 6 7 8

1. RoHS

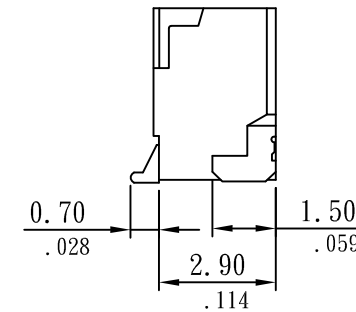
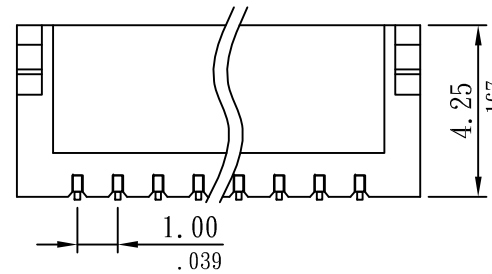
2. Series No.
3. Pin No.
4. Tin plated
5. Straight type
6. Single tow
7. Without post
8. SMT type

Dimensional Information

Circuits	Dim. A	Dim. B	Circuits	Dim. A	Dim. B
2	1.00(0.039)	4.00(0.157)	10	9.00(0.354)	12.00(0.473)
3	2.00(0.079)	5.00(0.197)	11	10.00(0.394)	13.00(0.512)
4	3.00(0.118)	6.00(0.236)	12	11.00(0.433)	14.00(0.551)
5	4.00(0.157)	7.00(0.276)	13	12.00(0.473)	15.00(0.591)
6	5.00(0.197)	8.00(0.315)	14	13.00(0.512)	16.00(0.630)
7	6.00(0.236)	9.00(0.354)	15	14.00(0.551)	17.00(0.669)
8	7.00(0.276)	10.00(0.394)	16	15.00(0.590)	18.00(0.708)
9	8.00(0.315)	11.00(0.433)	20	19.00(0.748)	22.00(0.866)



PCB LAYOUT



Sunny Young Enterprise Co., Ltd.

S. Y. E. <http://www.sunnyyoung.com.tw>

No. 276, Nan Yang St., Hsi-Chih City, 221, Taipei County, Taiwan

Tel: +886 2 2694 5995(REP) Fax: +886 2 2694 3721

DWG NAME

R8401-xxTS-S-N-SMT (ROHS)

CHECKED	APPROVED	SCALE: 1:5	REV NO	DATE	DESCRIPTION	BY	CHECKED	TOLERANCE UNLESS NOTED
PIQI	MARS	UNIT: mm(in)	A					.0 ±0.30(.012)
DRAWN NAME	DATE	CAD NO	B					.00 ±0.20(.008)
YXF(S003)	2009.02.09-2	R8401-xxTS-S-N-SMT	C					.000±0.10(.004)
								PROJECTION:

1.00mm(.039") WAFER SMT TYPE 90°

MATERIAL

Insulator: High Temperature Plastic UL94V-0
 Color: Natural
 Contact: Phosphor bronze
 Plating: Tin plated

SPECIFICATIONS

Temperature range: -25°C ~ +85°C
 Current rating: 1.0A
 Voltage rating: 50V AC
 Dielectric withstand voltage: 500V AC
 Insulation resistance: 100MΩ Min.
 Contact resistance: 0.02Ω Max.
 Mates with S.Y.E. R8400-xxP Housing

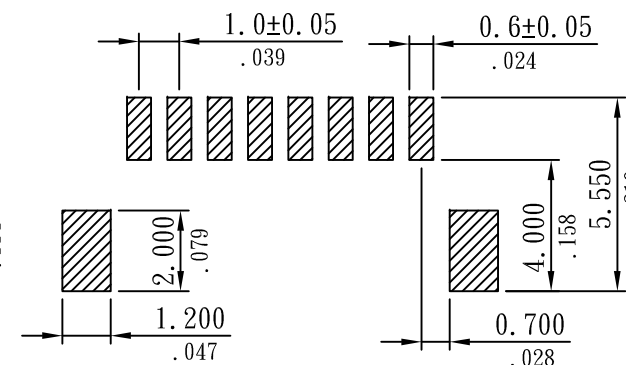
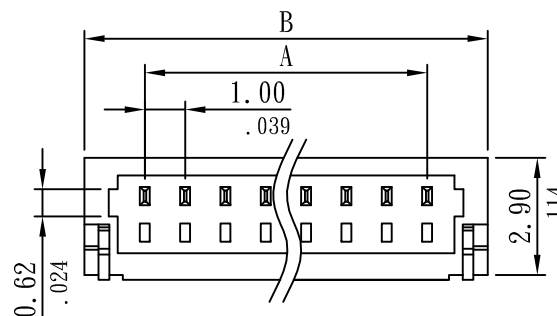
Order Information

R 8401-xx T R-S-N-SMT
 1 2 3 4 5 6 7 8

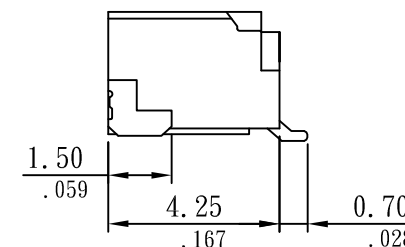
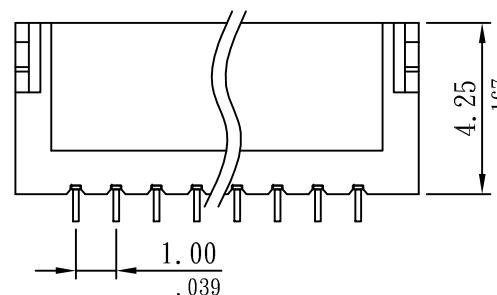
1. RoHS
2. Series No.
3. Pin No.
4. Tin plated
5. Right type
6. Single tow
7. Without post
8. SMT type

Dimensional Information

Circuits	Dim. A	Dim. B	Circuits	Dim. A	Dim. B
2	1.00(0.039)	4.00(0.157)	10	9.00(0.354)	12.00(0.473)
3	2.00(0.079)	5.00(0.197)	11	10.00(0.394)	13.00(0.512)
4	3.00(0.118)	6.00(0.236)	12	11.00(0.433)	14.00(0.551)
5	4.00(0.157)	7.00(0.276)	13	12.00(0.473)	15.00(0.591)
6	5.00(0.197)	8.00(0.315)	14	13.00(0.512)	16.00(0.630)
7	6.00(0.236)	9.00(0.354)	15	14.00(0.551)	17.00(0.669)
8	7.00(0.276)	10.00(0.394)	16	15.00(0.590)	18.00(0.708)
9	8.00(0.315)	11.00(0.433)	20	19.00(0.748)	22.00(0.866)



PCB LAYOUT



Sunny Young Enterprise Co., Ltd.

S.Y.E. <http://www.sunnyyoung.com.tw>

No. 276, Nan Yang St., Hsi-Chih City, 221, Taipei County, Taiwan

Tel: +886 2 2694 5995(REP) Fax: +886 2 2694 3721

CHECKED

APPROVED

SCALE: 1:5

REV NO

DATE

DESCRIPTION

BY

CHECKED

TOLERANCE UNLESS NOTED

PIQI

MARS

UNIT: mm(in)

A

LINEAR±

.0 ±0.30(.012)

.00 ±0.20(.008)

.000±0.10(.004)

DRAWN NAME

DATE

CAD NO

B

DWG NAME

R8401-xxTR-S-N-SMT (ROHS)

PC(S003)

2008. 11. 15-1

R8401-xxTR-S-N-SMT

C

PROJECTION:

1.00mm(.039") TERMINAL

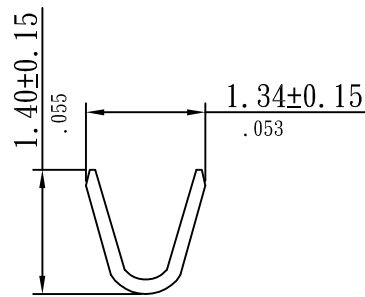
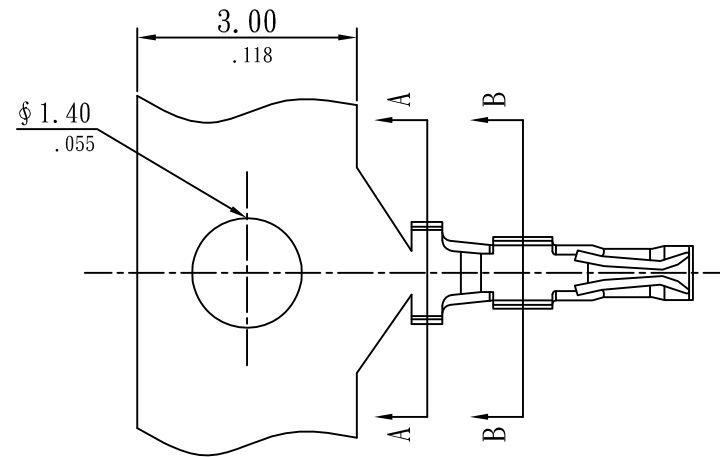
SPECIFICATIONS

Material: Phosphor Bronze
 Thickness : 0.12mm
 Plating : Tin plated
 Applicable wire : AWG 28 ~ AWG 32
 Insulation O.D. : 0.80mm Max.
 Used in S.Y.E. R8400-xxP Housing

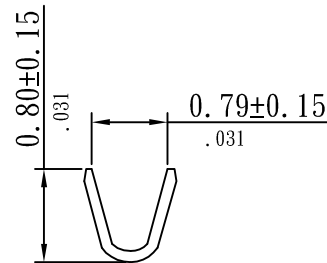
Order Information

R 8403-P T
 1 2 3 4

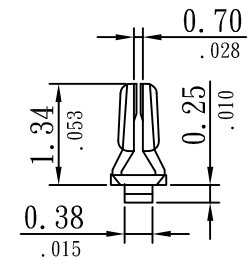
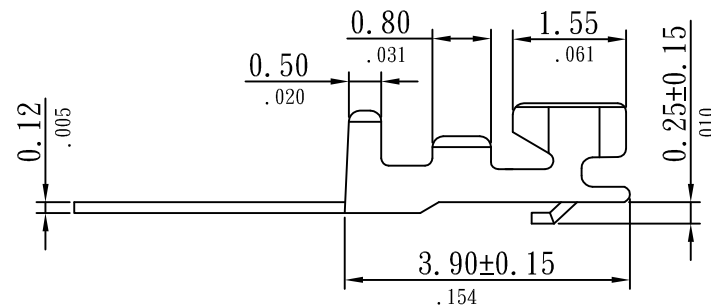
1. RoHS
2. Series No.
3. Phosphor bronze
4. Tin plated



SECTION A-A



SECTION B-B



Sunny Young Enterprise Co., Ltd.

S.Y.E. <http://www.sunnyyoung.com.tw>

No. 276, Nan Yang St., Hsi-Chih City, 221, Taipei County, Taiwan

Tel:+886 2 2694 5995(REP) Fax:+886 2 2694 3721

DWG NAME

R8403-PT (RoHS)

CHECKED

PIQI

DRAWN NAME

YXF(S003)

APPROVED

MARS

DATE

2008.11.15-1

SCALE: 1:10

UNIT: mm(in)

CAD NO

R8403-PT

REV NO

A

DATE

C

DESCRIPTION

BY

CHECKED

TOLERANCE UNLESS NOTED

LINEAR±

.0 ±0.30(.012)

.00 ±0.20(.008)

.000±0.10(.004)

PROJECTION:

