

TRADELINE®

R182J, R482J, R845A, R847A, RA89A, RA832A Switching Relays

Application

These relays can be used for a variety of switching applications. Typically they provide control of line- or low-voltage devices by a low voltage controller. See Table 1.

TABLE 1—SWITCHING RELAY SPECIFICATIONS.

| Models | Application | Voltage (50/60 Hz) | Switch Action | Control Circuit | Coil Voltage (Vac at 50/60 Hz) | Relay Coil Current (A) | Contact Ratings (A) | |
|--------|---|-----------------------|------------------|--------------------|---|------------------------------|------------------------|------|
| | | | | | | | AFL | ALR |
| R182J | For 24V thermostat control of line voltage devices. | 120 | Dpdt | 3-wire | 24 | 0.40 ^a | 7.4 | 44.4 |
| | | 240 | | | | | 3.7 | 22.2 |
| R482J | Controlled by a line voltage controller | 120 | | 2-wire | 120 | 0.08 | 7.4 | 44.4 |
| | | 208/240 | | | 208/240 | 0.04 | 3.7 | 22.2 |
| R845A | For hot water zone control systems or spst control of two separate loads. | 120 | Dpst | | 24 | 0.40 | 7.4 | 44.4 |
| R847A | Provides switching for high-current loads such as cooling compressors. | 120 | | | | | 22 | 100 |
| | | 240 | | | | | 10 | 50 |
| RA89A | For switching one line voltage load. | 120 | Spst | | | | 10.2 | 61.2 |
| RA832A | For switching two line voltage loads with a common power source. | 120 | Dpst | | | | 7.4 | 44.4 |
| | | 240 | | | | | 3.7 | 22.2 |

^a **IMPORTANT:** The transformer on the R182 can over-heat when used with a series 20 thermostat if the total resistance of the thermostat circuit exceeds 2.5 ohms. If the measured resistance of the thermostat (including thermostat wire and thermostat contact resistance) exceeds 2.5 ohms, add a 100 ohm, 10 watt resistor between the W and R terminals. Table 2 gives maximum thermostat wire runs; if longer runs are necessary, measure the resistance or add a 100 ohm, 10 watt resistor across terminals W and R.

TABLE 2—LENGTH OF WIRE.

| AWG Wire Size (Number) | Total Wire Length | | Length of Run to Thermostat (Wires) | |
|---------------------------------|----------------------|--------|---|--------|
| | Feet | Meters | Feet | Meters |
| 22 | 120 | 38.0 | 60 | 18.0 |
| 20 | 200 | 61.0 | 100 | 30.5 |
| 18 | 300 | 91.5 | 150 | 45.5 |
| 16 | 500 | 152.5 | 250 | 76.0 |
| 14 | 800 | 244.0 | 400 | 122.0 |

Installation

WHEN INSTALLING THIS PRODUCT...

1. Read these instructions carefully. Failure to follow instructions can damage product or cause a hazardous condition.

2. Check the ratings given in the instructions and on the product to make sure the product is suitable for your application.

3. Make sure installer is a trained, experienced service technician.

4. After completing installation, use these instructions to check out product operation.



WARNING

ELECTROCUTION HAZARD CAN CAUSE PROPERTY DAMAGE, SEVERE INJURY, OR DEATH.

Transformer core not bonded.

Disconnect power supply before wiring to prevent electrical shock or equipment damage.

MOUNTING

For replacement, mount the relay in the same location as the old relay. If this is a new installation, locate the relay vertically on a solid wall or partition as close as possible to the device to be controlled. Select a location that is easily accessible for installation and service.

NOTE: To reduce the possible transformer hum and relay noise that is sometimes amplified by mounting surfaces such as sheetmetal, plasterboard, and similar materials, place rubber or felt washers between the case and the mounting surface.

1. Position the relay and mark the mounting holes. See Fig. 1.

2. Start a screw for the keyhole type mounting hole in the upper right corner. Screw it down within about 1/8 in. [3 mm] of the surface.

3. Hang the relay on the screw, position the case, and start the bottom screw.

4. Tighten both screws.

WIRING

All wiring must comply with all applicable electrical codes, ordinances, and regulations. Follow any instructions furnished with the controlled equipment.

IMPORTANT: The switching relay terminals are approved for use with copper wires only.

See Figs. 2 through 9 for hookup diagrams for these relays. When two or more devices are to be controlled in parallel, the total current must not exceed the relay load rating. Fig. 11 is an internal view of the RA832A showing terminal locations and barriers.

Never connect load terminals to a load that takes more current than the amount listed in the electrical ratings on the relay.

Fig. 1—Approximate mounting dimensions in in. [mm].

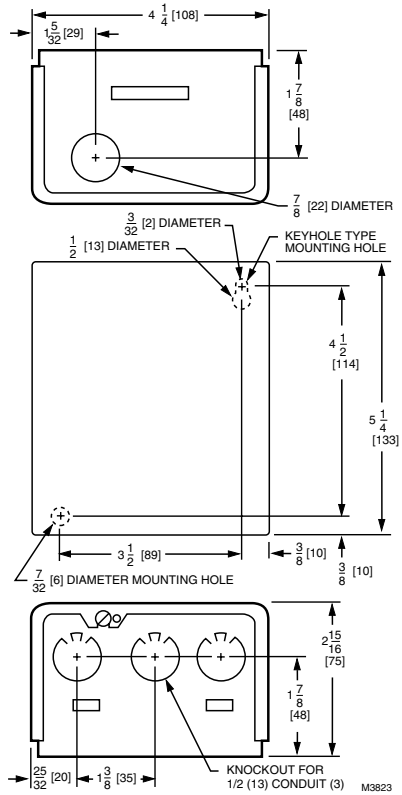
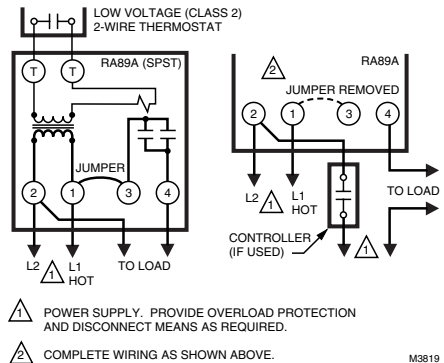


Fig. 2—Internal schematic and typical hookup for RA89A.



⚠ POWER SUPPLY. PROVIDE OVERLOAD PROTECTION AND DISCONNECT MEANS AS REQUIRED.

⚠ COMPLETE WIRING AS SHOWN ABOVE.

Fig. 3—Internal schematic and typical hookup for RA832A.

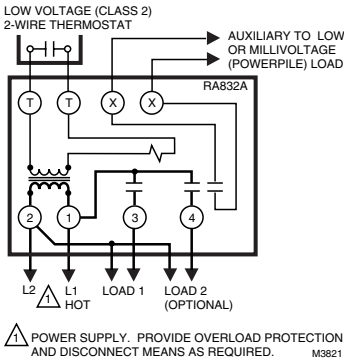


Fig. 4—Internal schematic and typical hookup for R182J.

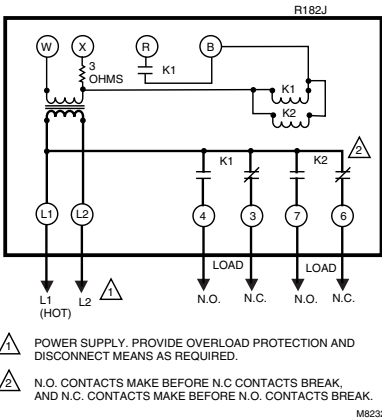


Fig. 5—Thermostat connections for R182J.

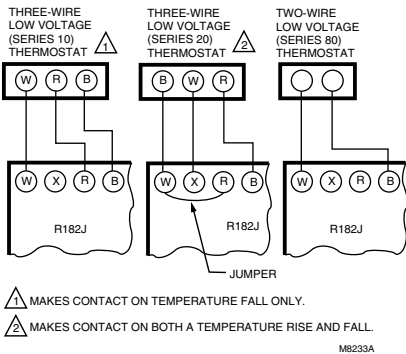


Fig. 6—Internal schematics and typical hookup for R482J.

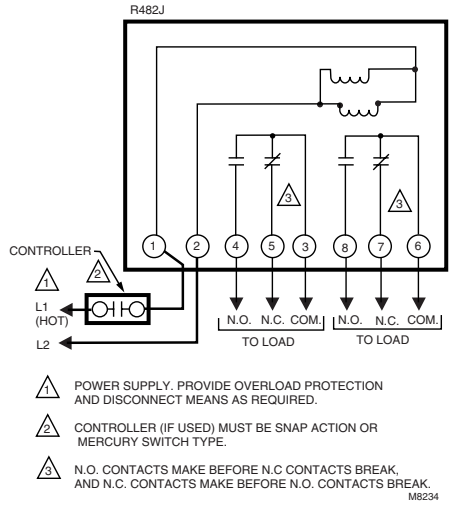


Fig. 7—Schematic diagram showing R845A in multizone, forced hydronic heating system. This arrangement is suitable for any number of additional zones.

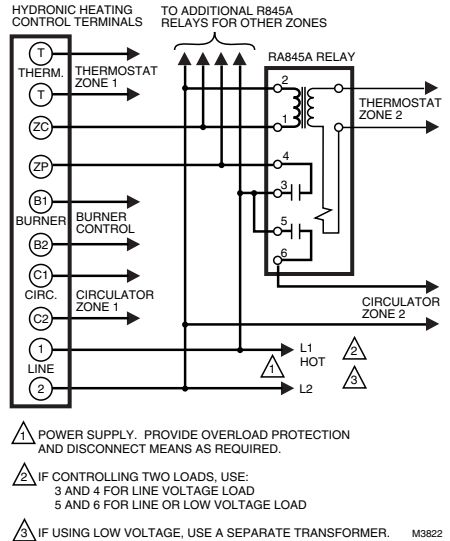
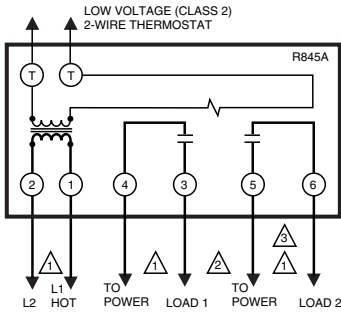


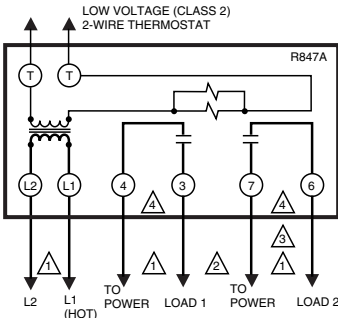
Fig. 8—R845A hookup for controlling two loads.



- ⚠️ POWER SUPPLY. PROVIDE OVERLOAD PROTECTION AND DISCONNECT MEANS AS REQUIRED.
- ⚠️ WHEN CONTROLLING TWO LOADS, USE 3 AND 4 FOR LINE VOLTAGE LOAD AND 5 AND 6 FOR LINE OR LOW VOLTAGE LOAD.
- ⚠️ IF USING LOW VOLTAGE, USE A SEPARATE TRANSFORMER.

M8320

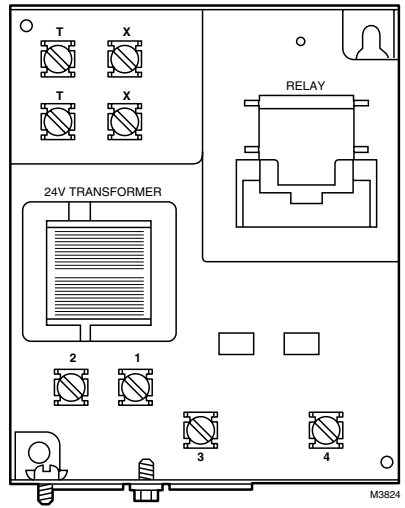
Fig. 9—Internal schematics and hookup for R847A.



- ⚠️ POWER SUPPLY. PROVIDE OVERLOAD PROTECTION AND DISCONNECT MEANS AS REQUIRED.
- ⚠️ WHEN CONTROLLING TWO LOADS, USE 3 AND 4 FOR LINE VOLTAGE LOAD AND 5 AND 6 FOR LINE OR LOW VOLTAGE LOAD.
- ⚠️ IF USING LOW VOLTAGE, USE A SEPARATE TRANSFORMER.
- ⚠️ 10 AMP CONTACT RATING OR 20 AMP WHEN POLES ARE CONNECTED IN PARALLEL.

M831B

Fig. 10—Internal view of RA832A Switching Relay.



M3824

Service and Checkout

1. Never use oil on any part of the relay coil or contacts.
2. Keep the cover on the relay during normal operation and remove only for service and checkout.
3. Relay contacts require no cleaning; they are arranged so they close with a wiping action and are self-cleaning. The contacts may turn black after being in service for some time; this discoloration does not prevent proper operation.
4. After installation is complete, operate system through at least one cycle from the controller to make certain the relay controls the equipment as intended.

Honeywell

Home and Building Control
Honeywell Inc.
1985 Douglas Drive North
Golden Valley, MN 55422

Home and Building Control
Honeywell Limited—Honeywell Limitée
740 Ellesmere Road
Scarborough, Ontario
M1P 2V9

Helping You Control Your World