

DESCRIPTION

R8A66170 is a programmable 4-channel PWM generator produced using the silicon gate CMOS process.

R8A66170 can connect directly to the MPU data bus, and consists of a 16-bit prescaler and a PWM counter.

The pulse output includes three kinds of modes, allowing the independent control of each channel.

R8A66170 provides a software servo system in combination with the A-D function and the timer function of a one-chip microcomputer. R8A66170 is a succession product of M66240.

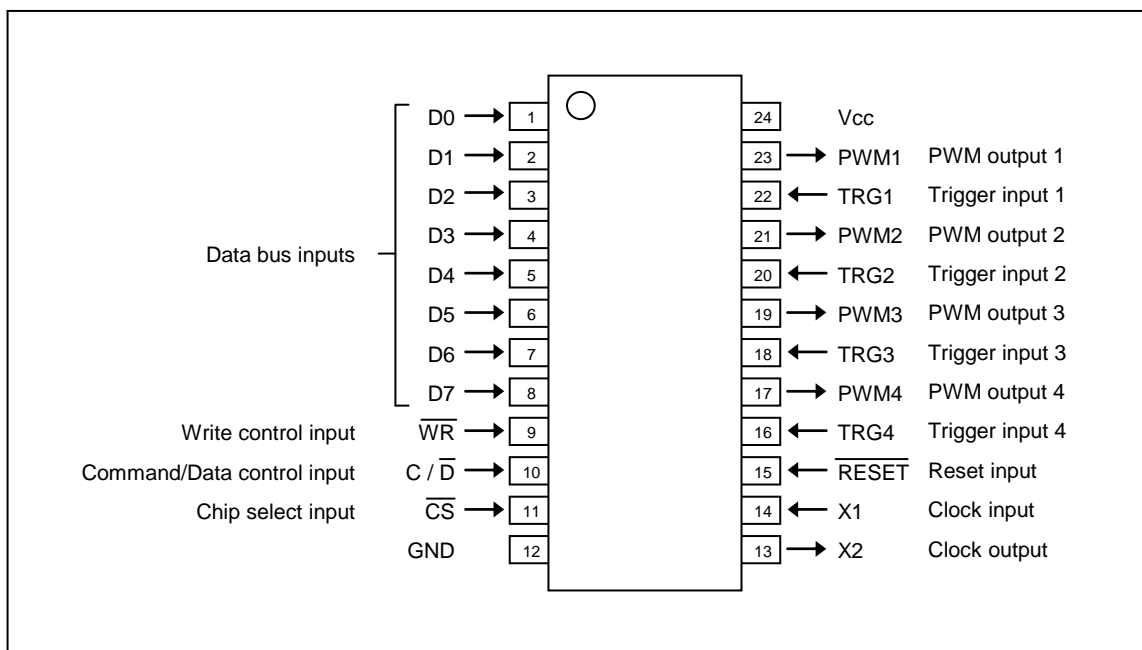
FEATURES

- 4-channel individually controllable
- Built-in three kind of pulse output modes
- PWM repetitive frequency: 50 kHz (max.) (Mode 0, 8-bit resolution, $f_{xin}/255$ at prescaler setting = 0)
- Output polarity selection possible
- External triggering possible
- The output after reset is in the high impedance state.
- Change of mode setting becomes effective after the current cycle.
- High output current : $I_o = \pm 24$ mA ($V_{CC} = 5.0V$)
- Wide operating power voltage range ($V_{CC} = 5.0V$ or $3.3V$ single power supply)
- Wide operating temperature range ($T_a = -40\sim 85$ °C)

APPLICATION

- Control of DC motors and stepping motors
- Control of Heater phase controllers
- Software servos for office automation equipment , and industrial equipment

PIN CONFIGURATION (TOP VIEW)



FUNCTION

Four separate 16-bit prescalers and 16-bit PWM counters can be separately programmed by the control instruction from the MPU.

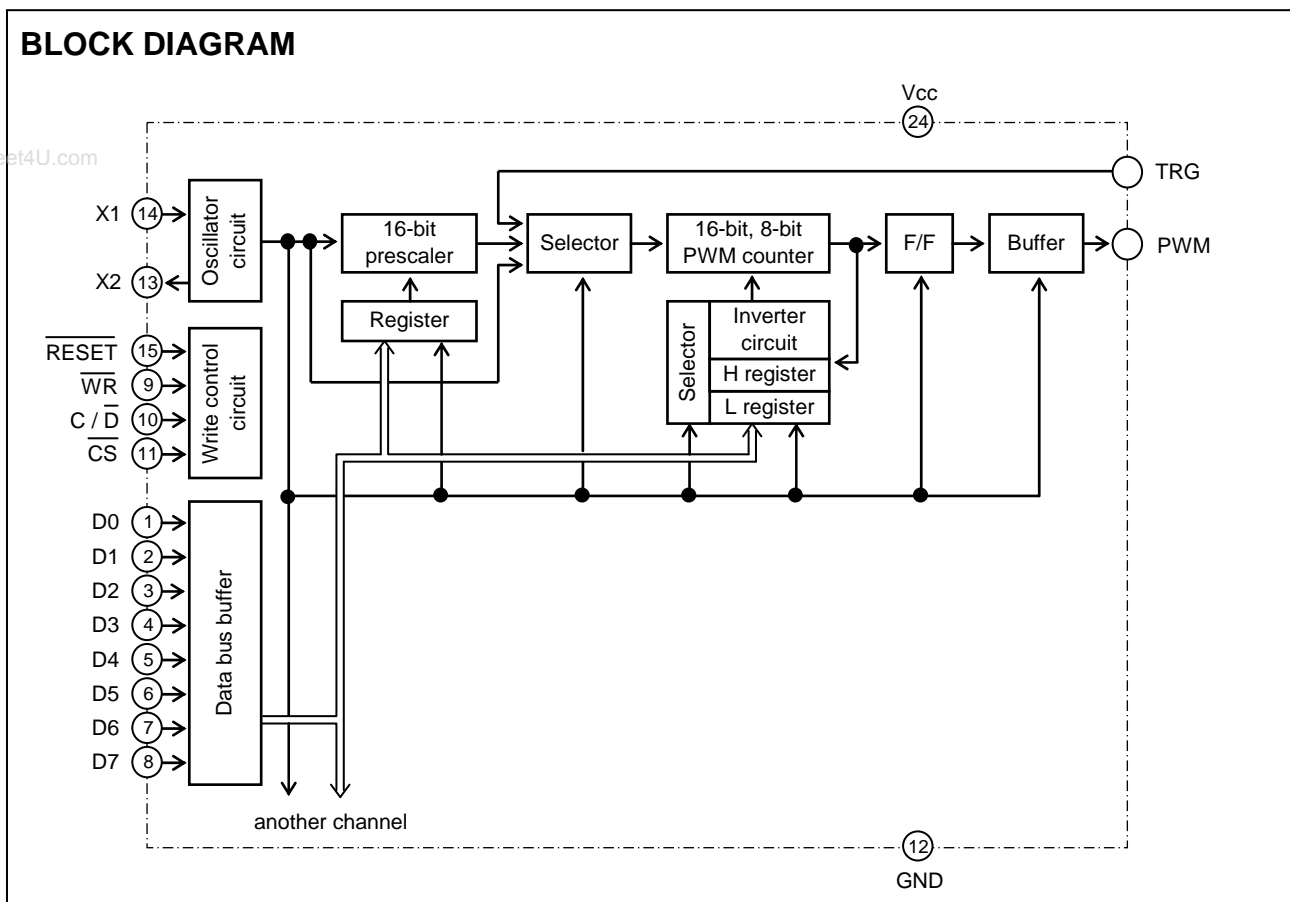
The output is made in one of three modes (Mode 0, Mode 1, and Mode 2).

In Mode0, setting only the value of H width repeatedly outputs the set pulse width.

In Mode1, setting only the value of H width outputs one shot of the pulse width set by trigger input.

In Mode2, setting both H width and L width repeatedly outputs the set pulse width.

BLOCK DIAGRAM



PIN DESCRIPTIONS

Pin name	Description	I/O	Function
RESET	Reset input	Input	Clears the command register and the flip-flop at "L".
D0~D7	Data bus input	Input	Inputs the data from MPU over the 8-bit data bus.
WR	Write control input	Input	Writes the data on data bus to the control register or data register when its state changes from "L" to "H" of rising edge.
C/D	Command/Data control input	Input	The Data on data bus is regarded as a command at "H" level, and as data at "L" level.
CS	Chip select input	Input	Communication with MPU is enabled at "L" level. Any control from MPU is ignored at "H" level.
X ₁	Clock input	Input	Input and output to the built-in clock generator circuit. By providing a crystal resonator between X ₁ and X ₂ , sets the frequency. To make external clock input, connect the clock source to X ₁ pin and leave X ₂ pin open.
X ₂	Clock output	Output	
TRG1~TRG4	Trigger input	Input	These are used when external trigger is selected in mode setting. These should be set to "L" level when not in use.
PWM1~PWM4	PWM output	Output	PWM output pins. Outputs become the high-impedance state after reset is inputted or after disable is specified by command 3. D0 of command 1 allows the selection of output polarity.

OPERATION

Commands

The information on data bus inputs D0 through D7 is treated as command when command / data control input $C/\bar{D} = 1$, and is treated as data when $C/\bar{D} = 0$.

There are three kinds of commands. (See Figure 1.)

- Command 1 selects the output mode and external trigger input of each channel and sets the output polarity of H width.
- Command 2 specifies, on a byte basis, to which 16-bit register of the prescaler and PWM counter of each channel data is to be written. The second and subsequent bytes of command 2 write prescaler value and PWM value. Depending on the location specified by command 2, the data of the second and subsequent bytes must be written in the order shown in Figure 2.
- Command 3 is used to start or stop the prescalers and PWM counters operation.

Data input

At initialization, all 16-bit of prescaler values must be written.

In mode 0 or 1, the PWM values must be written to all 16-bits of H register (*1), In mode 2, the value must be written to all 16-bits of H and L registers.

(*1): In mode0, at 8-bit resolution, only the lower byte of the H register is used.

In case of changing the value of prescaler and PWM during for operation, the procedure is as follows.

- To change the values of all 16-bits in the prescaler or the PWM counter during operation, values should be written to the upper byte first and then to the lower byte.
- To change the values of the lower byte only, the values of only the lower byte should be written.
- To change the values of the upper byte only, the values of all 16-bits should be written.
- To change the values of H register in Mode 2, the H register values should be written followed by the L register value.

When values are written to the lower byte (lower byte of L register in Mode 2), the write cycle of data registers is completed.

(Note)

- If the data registers values is changed during a PWM signal is outputted (exactly, finish to write those values), the PWM output is updated at the start of next cycle.
- To change the mode (i.e., to execute command 1), disable the output first (i.e., execute command 3).

Figure 3 shows the flow chart of the basic operation.

The order of the prescaler's and PWM counter's data setting is not fixed.

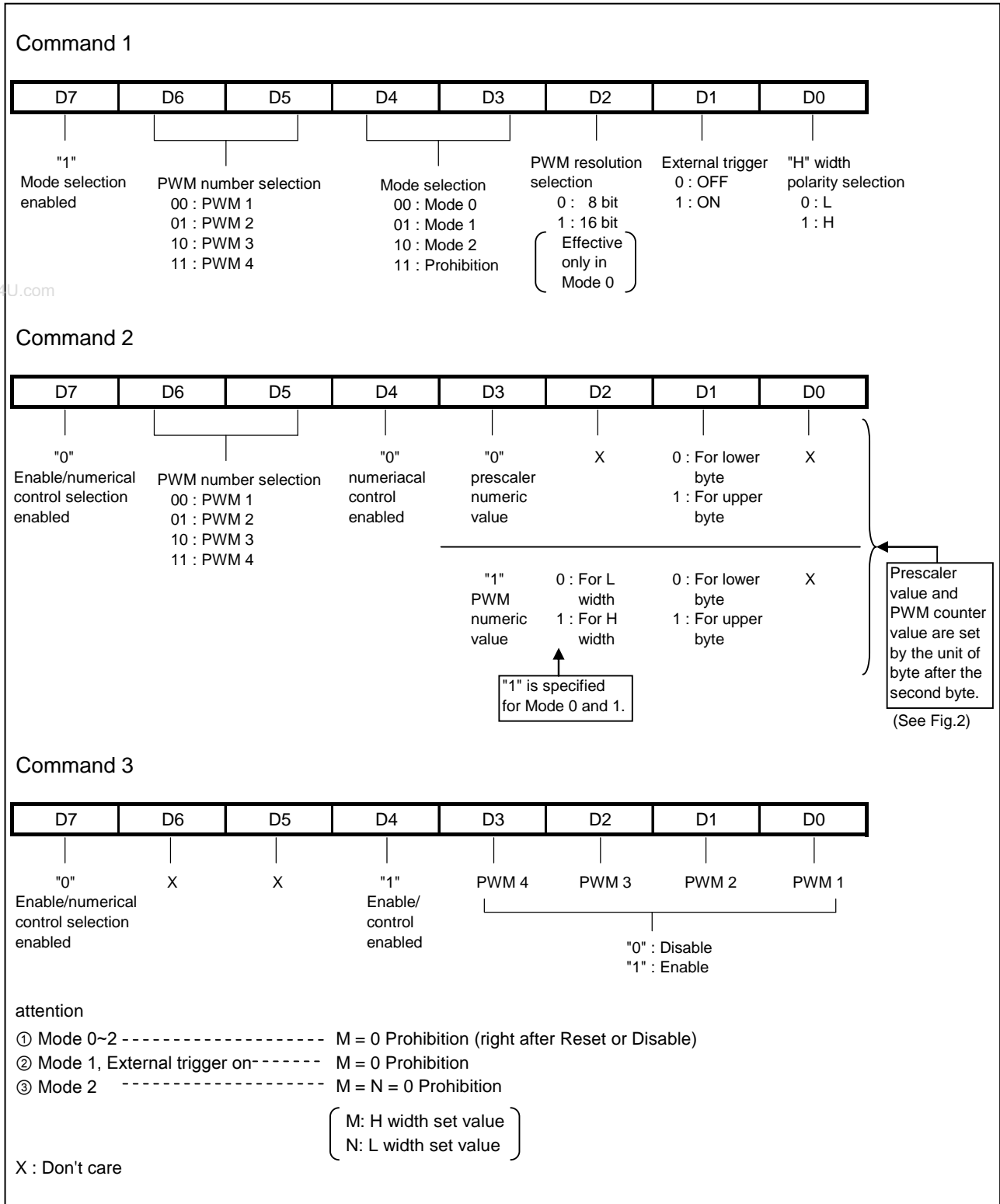


Fig.1 Commands

First byte (Command 2)			The second byte	The third byte	The fourth byte	The fifth byte	Remark
D3	D2	D1					
1	1	1	Upper byte of PWM H register	Lower byte of PWM H register	-	-	In Mode 0 or 1
1	1	0	Lower byte of PWM H register	-	-	-	
1	1	1	Upper byte of PWM H register	Lower byte of PWM H register	Upper byte of PWM L register	Lower byte of PWM L register	In Mode 2
1	1	0	Lower byte of PWM H register	Upper byte of PWM L register	Lower byte of PWM L register	-	
1	0	1	Upper byte of PWM L register	Lower byte of PWM L register	-	-	
1	0	0	Lower byte of PWM L register	-	-	-	
0	X	1	Upper byte of prescaler register	Lower byte of prescaler register	-	-	
0	X	0	Lower byte of prescaler register	-	-	-	

Fig.2 Data-setting sequence for registers

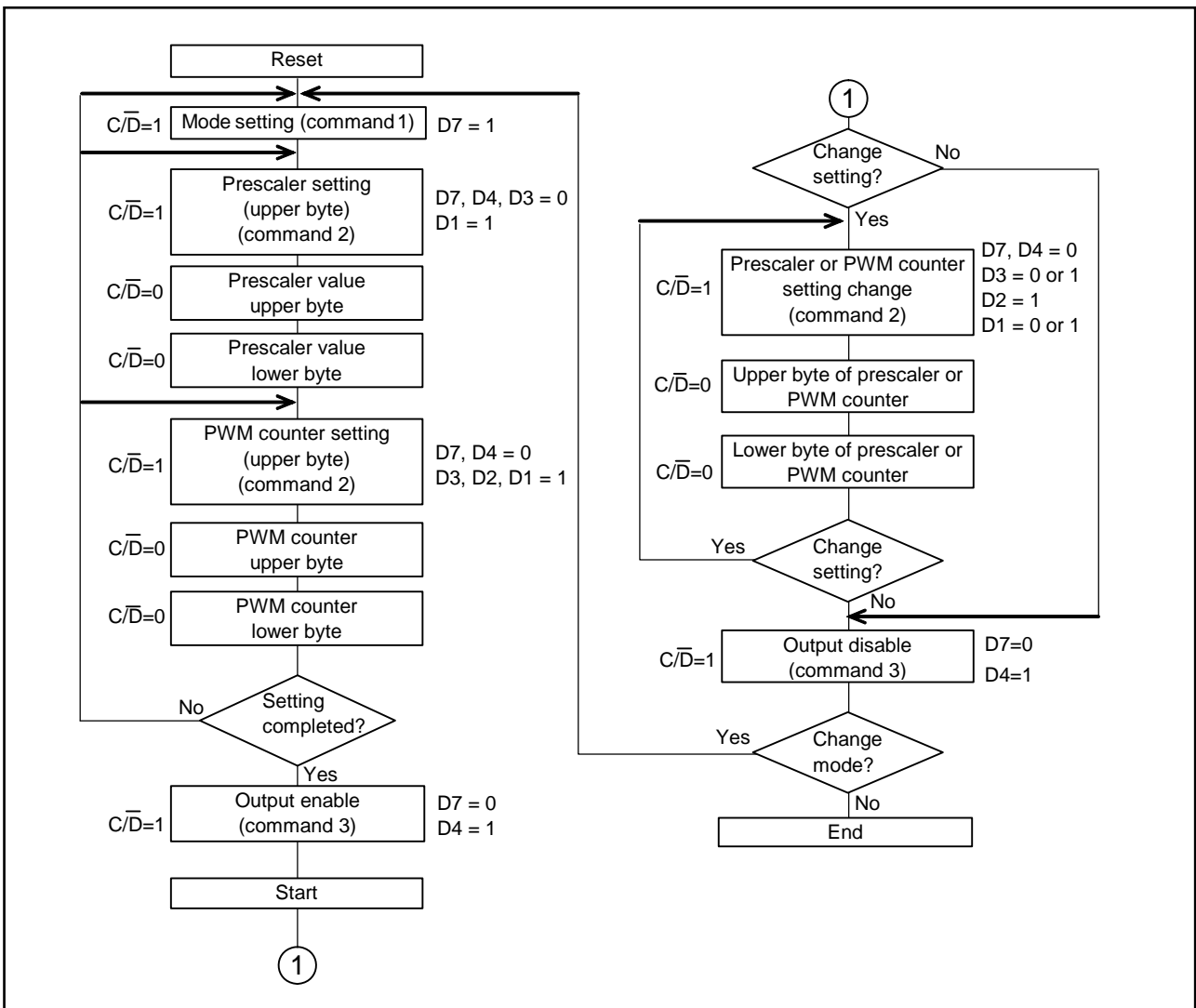


Fig.3 Flow chart in Mode 0 or 1 (for one channel)

PWM WAVEFORM OUTPUT

R8A66170 has a built-in 16-bit prescaler and a PWM counter. The duty cycle of output pulse can be freely specified by changing the values of the prescaler and the PWM counter. The output is made in one of three modes (Mode 0, Mode 1, and Mode 2). The description of these modes is given below.

(1) Mode 0

This mode is selected by writing "0" to D4 and D3 in command 1. Figure 9 shows the block diagram in this mode (for one channel). The 16-bit PWM counter can be used as an 8-bit PWM counter only in this mode (command 1: D2 = 0). The setting with PWM resolution = 8-bits must be written to the lower 8 bytes of H register.

In this mode, the H output pulse width is determined by the prescaler register value L and PWM register value M.

The PWM output cycle time is determined by the prescaler register value L, irrespective of the PWM register value M. (See Fig.4)

www.DataSheet4U.com

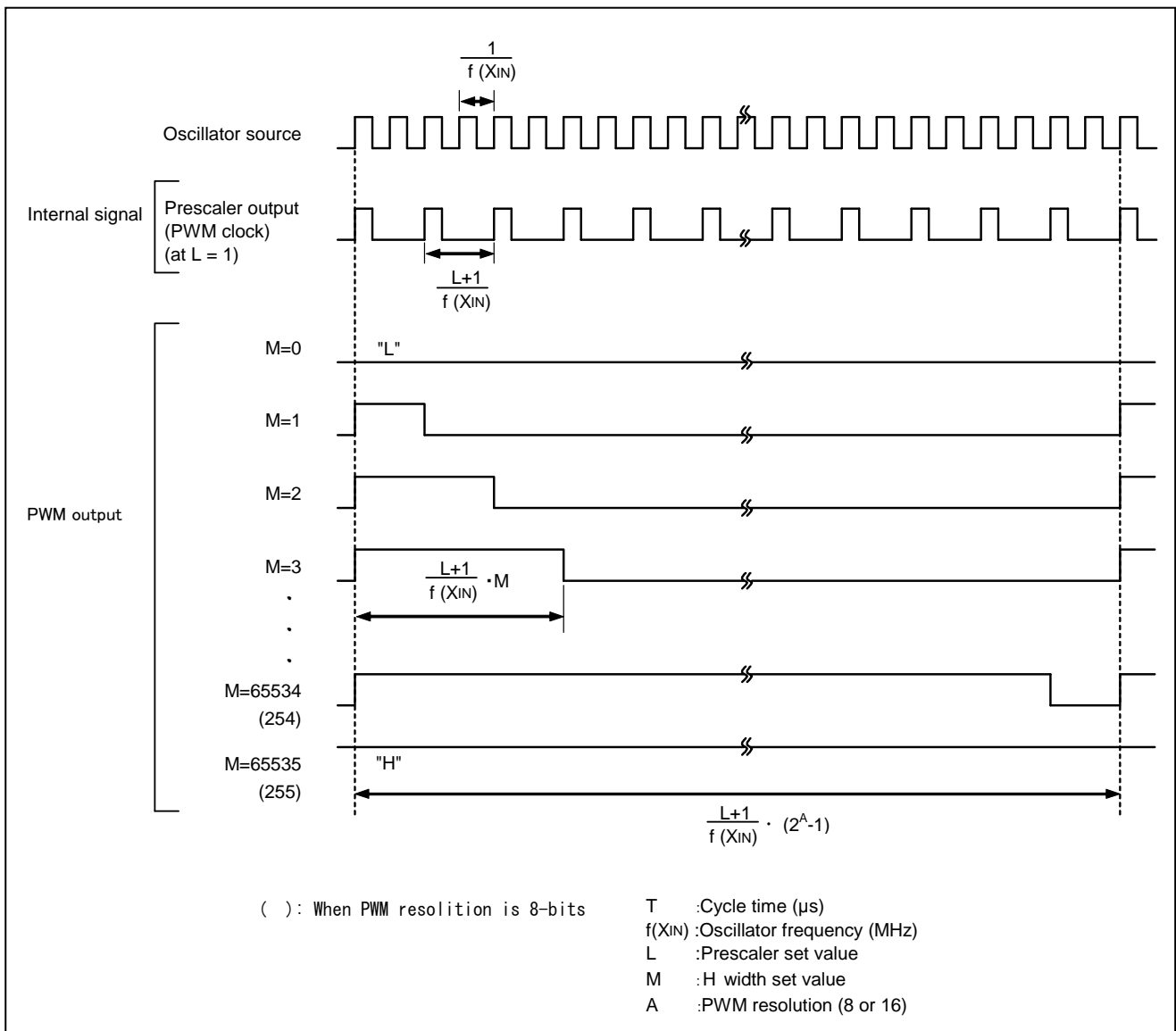


Fig.4 (When H width polarity is "H")

(2) Mode1

This mode is selected by setting D4 = 0 and D3 = 1 in command 1. Figure 10 shows the block diagram in this mode (for one channel).

This mode outputs the pulse which is determined by value M of PWM register as one shot by trigger signal.

The type of this output operation is determined by whether the external trigger signal or the internal trigger signal is used. Operation varies according to the choice of external and internal trigger signals.

(a) External trigger selected (D1 = 1 in command 1)

This mode outputs, when a trigger pulse is applied to trigger input TRG, one shot of output pulse. Therefore, cycle time T becomes cycle time f_{IN} of the trigger pulse to be applied to trigger input TRG.

The output pulse width is determined by the prescaler register value L and PWM register value M. (See Fig.5)

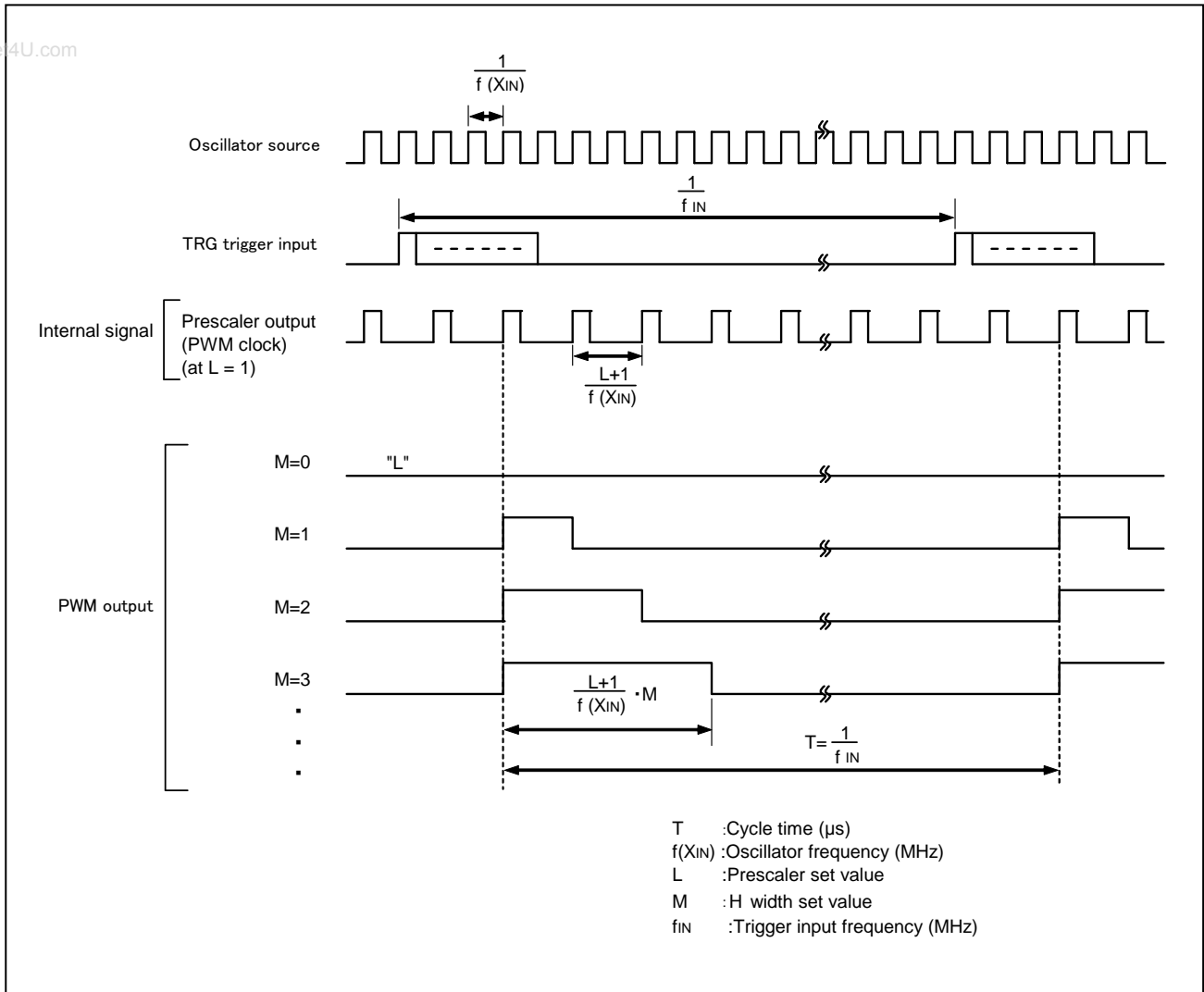


Fig.5 (When H width polarity is "H")

(b) Internal trigger selected (D1 = 0 in command 1)

In this mode, the trigger signal is generated by the prescaler. Therefore, the cycle time T of output pulse is determined by the prescaler register value L.

In this case, the oscillator source becomes the PWM counter clock and the output pulse width is determined by the PWM register value M. (See Fig.6)

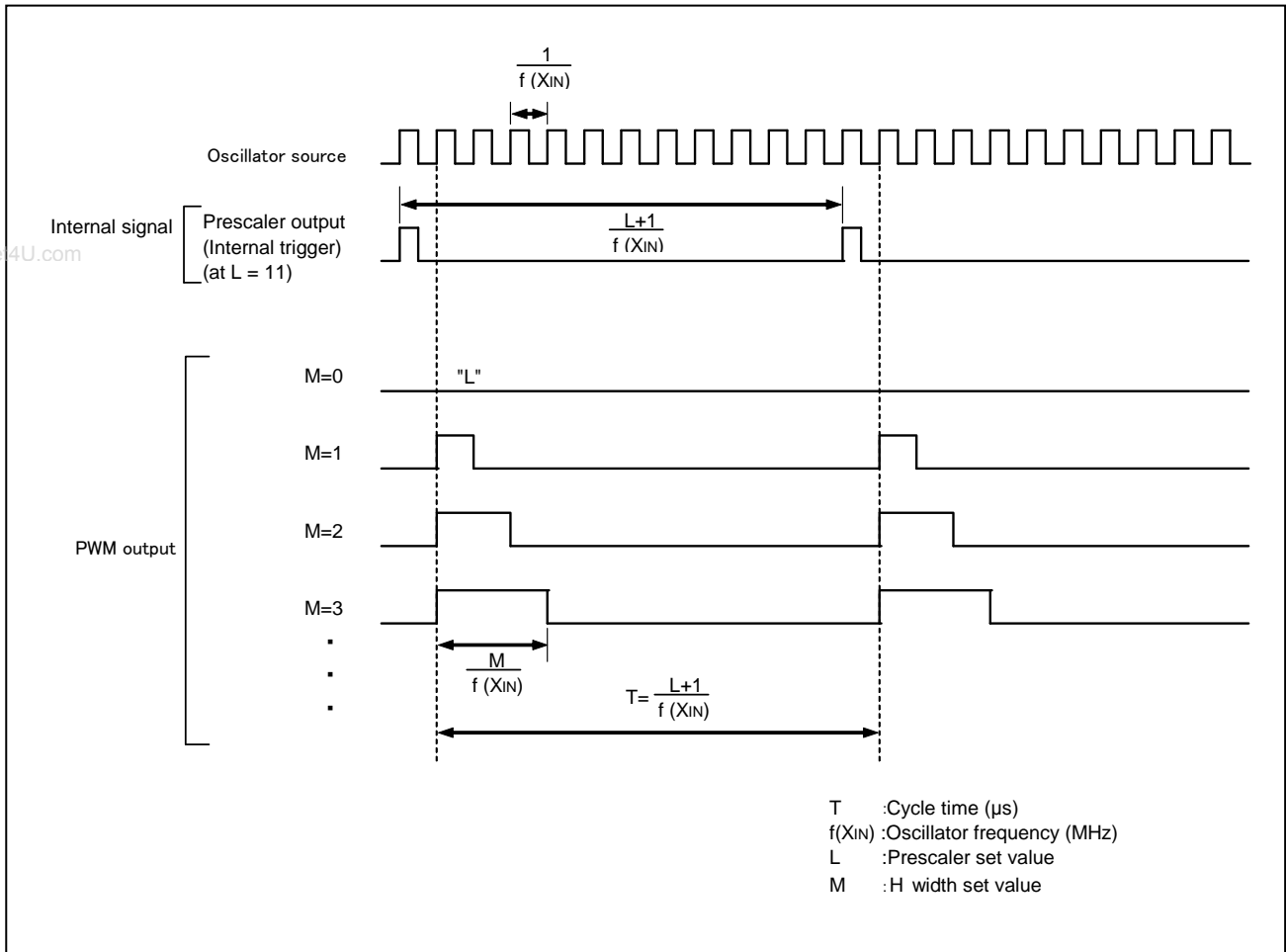


Fig.6 (When H width polarity is "H")

In Mode 1, the retrigger state is caused when the cycle time of trigger pulse gets smaller than the value M of PWM register.

(3) Mode 2

This mode is selected by writing D4 = 1 and D3 = 0 in command 1. Fig.11 shows the block diagram of this mode (for one channel).

The high-level pulse value M is set to the H register of PWM in Mode 0 and 1, but in this mode, the high-level pulse value M is set to the H register of PWM and the low-level pulse value N is set to the L register of PWM. Therefore, the pulse width and cycle time T of PWM output are determined by value L of the prescaler register and values M and N of H and L registers of PWM. (See Fig.7)

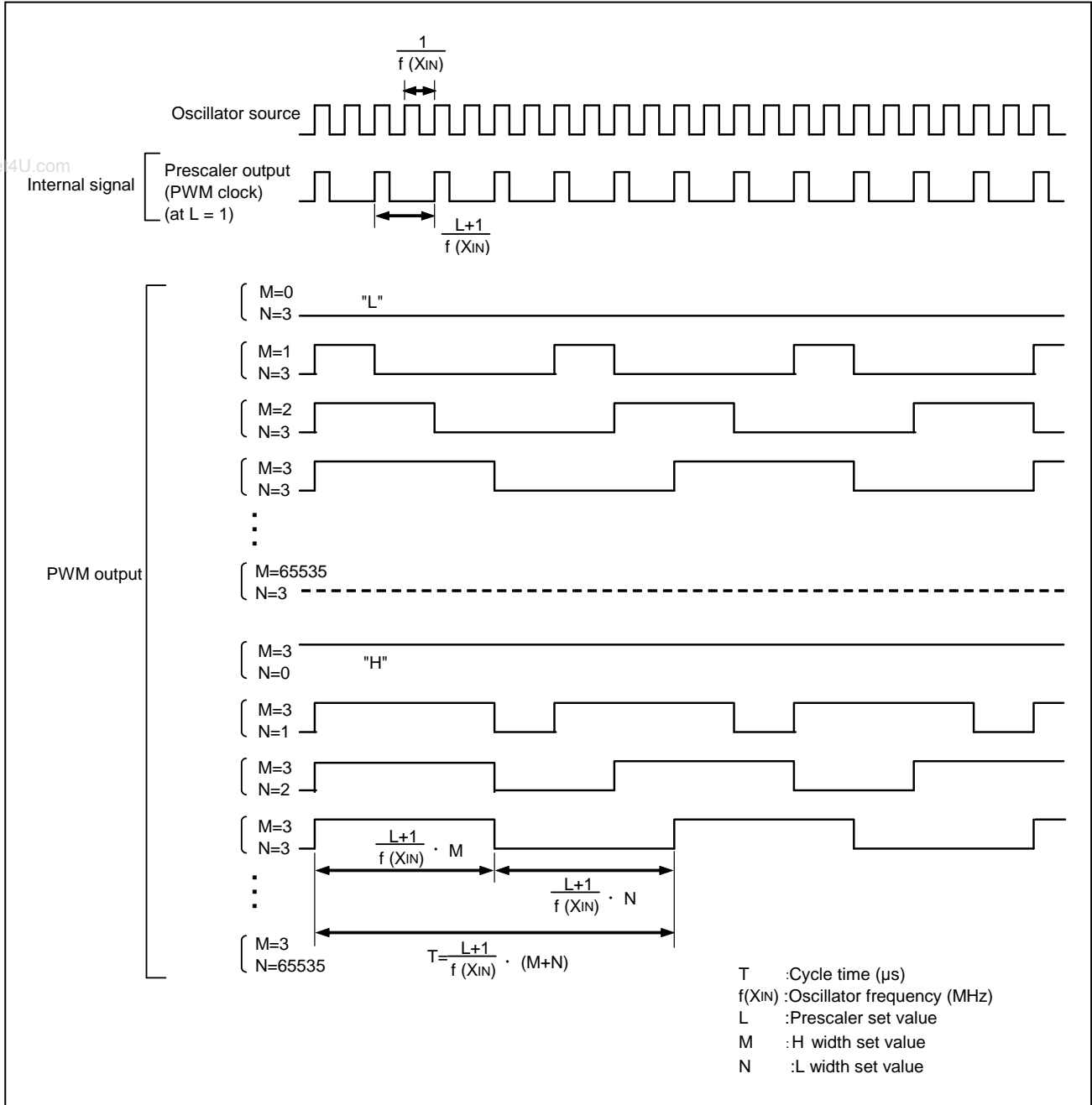


Fig.7 (When H width polarity is "H")

Initial state

In the case of command 1, if the D1 is set as “external trigger ON” it does not output a pulse to PWM output and its status is held in the high impedance even if the operation of internal circuit is started by specifying enable condition with command 3.

In this case the pulse can be output to PWM output by entering H level into TRG input in Mode 0, Mode 2 or entering H pulse into TRG input in Mode 1. (See Fig.8)

In Mode 0 or Mode 2, putting TRG input to L level during PWM is outputting pulse makes PWM output keeps its state. When TRG input is put back to H level, the operation are resumed from that point.

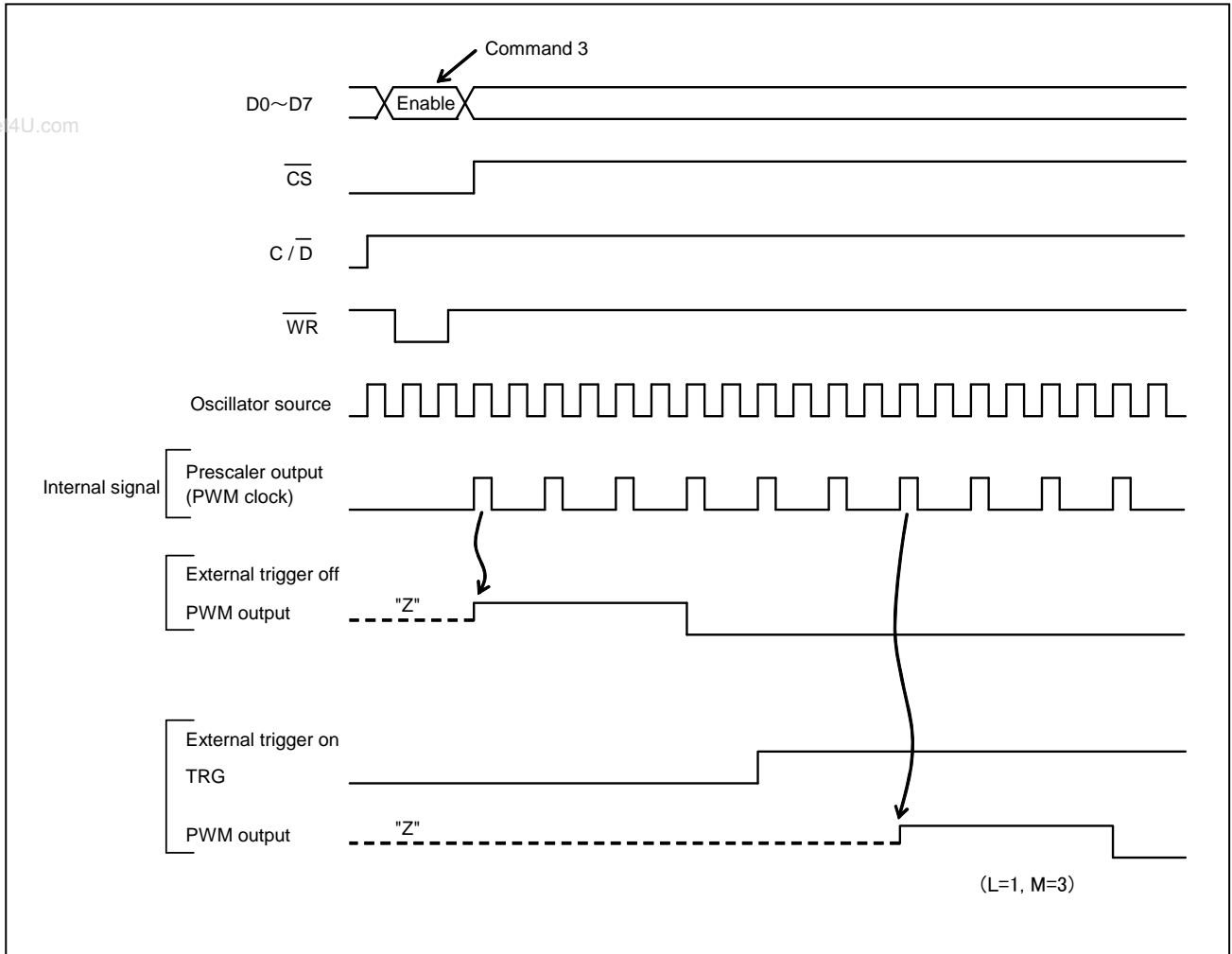


Fig.8 (When H width polarity is “H”)

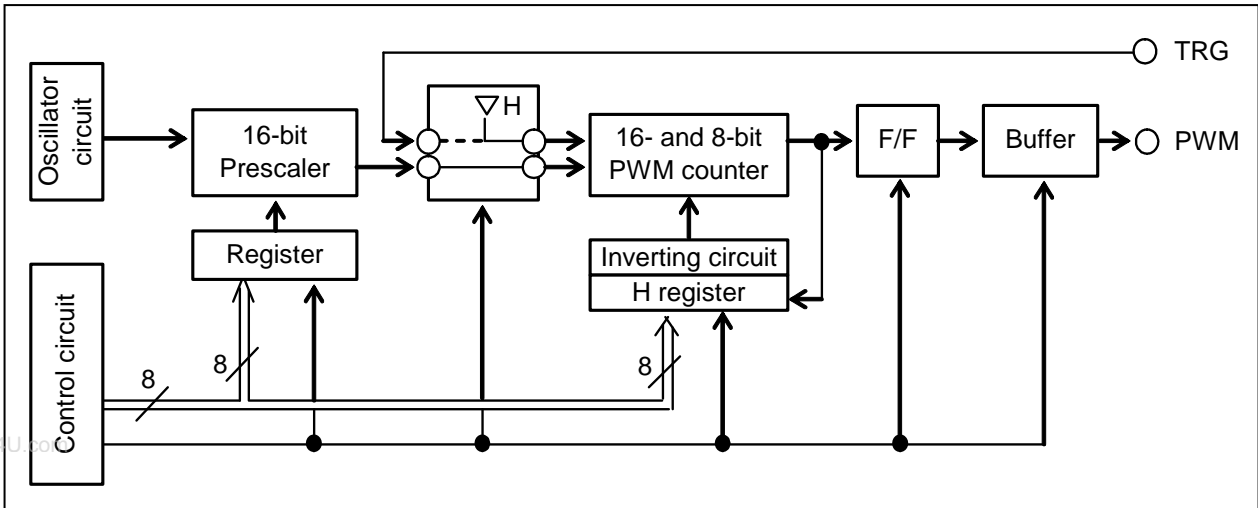


Fig.9 Block diagram in Mode 0 (for one channel)

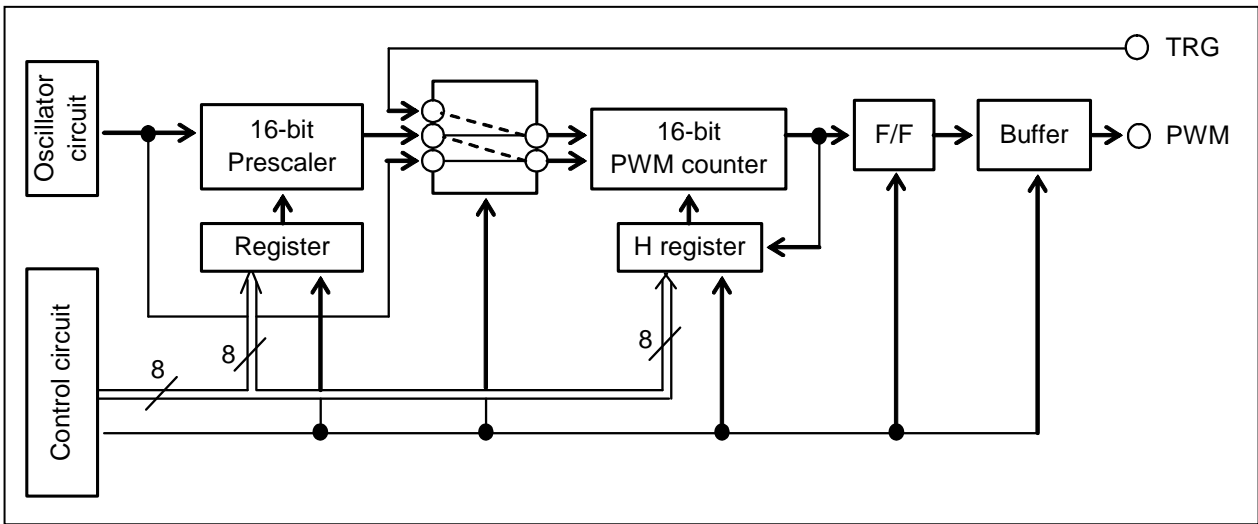


Fig.10 Block diagram in Mode 1 (for one channel)

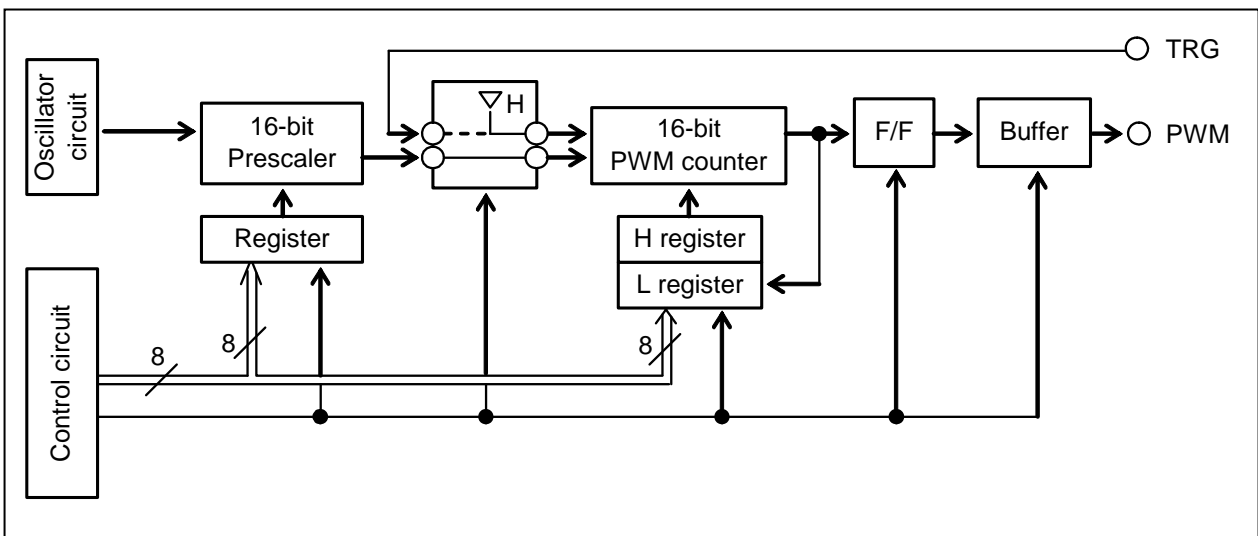


Fig.11 Block diagram in Mode 2 (for one channel)

ABSOLUTE MAXIMUM RATINGS (Ta=-40~85°C, unless otherwise noted)

Symbol	Parameter	Conditions	Ratings	Unit
Vcc	Power voltage		-0.5~+7.0	V
Vi	Input voltage		-0.5~Vcc+0.5	V
Vo	Output voltage		-0.5~Vcc+0.5	V
Pd	Power dissipation		500	mW
Tstg	Storage temperature		-65~150	°C

RECOMMENDED OPERATING CONDITIONS (Ta=-40~85°C, unless otherwise noted)

Symbol	Parameter		Limits			Unit
			Min.	Typ.	Max.	
Vcc	Power voltage	5.0V support	4.5	5.0	5.5	V
		3.3V support	3.0	3.3	3.6	V
GND	Power voltage		0		V	
Vi	Input voltage		0		Vcc	V
Vo	Output voltage		0		Vcc	V
Topr	Ambient operating temperature		-40		85	°C

ELECTRICAL CHARACTERISTICS

5.0V version support specifications (Ta=-40~85°C, Vcc=4.5~5.5V, unless otherwise noted)

Symbol	Parameter		Test conditions	Limits			Unit
				Min.	Typ.	Max.	
VT+	Positive going threshold voltage	RESET, TRG1~4	Io=20uA	0.35xVcc		0.8xVcc	V
VT-	Negative going threshold voltage			0.2xVcc		0.65xVcc	V
VH	Hysteresis width			0.4			V
VIH	"H" input voltage	D0~D7, CS,WR,C/D	Io=20uA	0.75xVcc			V
VIL	"L" input voltage					0.25xVcc	V
VIH	"H" input voltage	X1	Io=20uA	0.8xVcc			V
VIL	"L" input voltage					0.2xVcc	V
VOH	"H" output voltage	PWM1~ PWM4	IOH=-24mA	Vcc - 0.8			V
VOL	"L" output voltage		IOH=24mA			0.55	V
IiH	"H" input current		Vi=Vcc			1.0	uA
IiL	"L" input current		Vi=GND			-1.0	uA
IOZH	Off-state "H" output current		Vo=Vcc			5.0	uA
IOZL	Off-state "L" output current		Vo=GND			-5.0	uA
Icc	Quiescent current consumption		Vi=Vcc, GND, Outputs are open.			100	uA

ELECTRICAL CHARACTERISTICS

3.3V version support specifications (Ta=-40~85°C, Vcc=3.0~3.6V, unless otherwise noted)

Symbol	Parameter		Test conditions	Limits			Unit
				Min.	Typ.	Max.	
VT+	Positive going threshold voltage	RESET, TRG1~4	IO=20uA	0.35×Vcc		0.8×Vcc	V
VT-	Negative going threshold voltage			0.2×Vcc		0.65×Vcc	V
VH	Hysteresis width			0.4			V
VIH	"H" input voltage	D0~D7, CS,WR,C/D	IO=20uA	0.75×Vcc			V
VIL	"L" input voltage					0.25×Vcc	V
VIH	"H" input voltage	X1	IO=20uA	0.8×Vcc			V
VIL	"L" input voltage					0.2×Vcc	V
VOH	"H" output voltage	PWM1~ PWM4	IOH=-12mA	Vcc - 0.6			V
VOL	"L" output voltage		IOL=12mA			0.4	V
IiH	"H" input current		VI=Vcc			1.0	uA
IiL	"L" input current		VI=GND			-1.0	uA
IOZH	Off-state "H" output current		VO=Vcc			5.0	uA
IOZL	Off-state "L" output current		VO=GND			-5.0	uA
Icc	Quiescent current consumption		VI=Vcc, GND, Outputs are open.			100	uA

SWITCHING CHARACTERISTICS (Ta=-40~85°C, Vcc=4.5~5.5V or Vcc=3.0~3.6V, unless otherwise noted)

Symbol	Parameter	Test conditions	5.0V specification			3.3V specification			Unit
			Min.	Typ.	Max.	Min.	Typ.	Max.	
tpZL(W-PWM)	Output enable time after write (Mode0, 2, external trigger OFF)	CL=50pF			$\frac{2}{f} + 110$			$\frac{2}{f} + 130$	ns
tpZH(W-PWM)					$\frac{2}{f} + 110$			$\frac{2}{f} + 130$	ns
tpZL(W-PWM)	Output enable time after write (Mode1, external trigger OFF)				$\frac{3}{f} + 110$			$\frac{3}{f} + 130$	ns
tpZH(W-PWM)					$\frac{3}{f} + 110$			$\frac{3}{f} + 130$	ns
tpZL(T-PWM)	Output enable time after trigger (Mode0, 2, external trigger ON)				$\frac{2}{f} + 110$			$\frac{2}{f} + 130$	ns
tpZH(T-PWM)					$\frac{2}{f} + 110$			$\frac{2}{f} + 130$	ns
tpZL(T-PWM)	Output enable time after trigger (Mode1, external trigger ON)				$\frac{L+2}{f} + 110$			$\frac{L+2}{f} + 130$	ns
tpZH(T-PWM)					$\frac{L+2}{f} + 110$			$\frac{L+2}{f} + 130$	ns
tpLH(X1-PWM)	Output propagation time after clock (all modes)				110			130	ns
tpHL(X1-PWM)					110			130	ns
tpLH(T-PWM)	Output propagation time after trigger (Mode1, external trigger ON)				$\frac{L+2}{f} + 110$			$\frac{L+2}{f} + 130$	ns
tpHL(T-PWM)					$\frac{L+2}{f} + 110$			$\frac{L+2}{f} + 130$	ns
tpLZ(R-PWM)	Output disable time after reset				150			160	ns
tpHZ(R-PWM)					150			160	ns
tpLZ(W-PWM)	Output disable time after write				150			160	ns
tpHZ(W-PWM)					150			160	ns

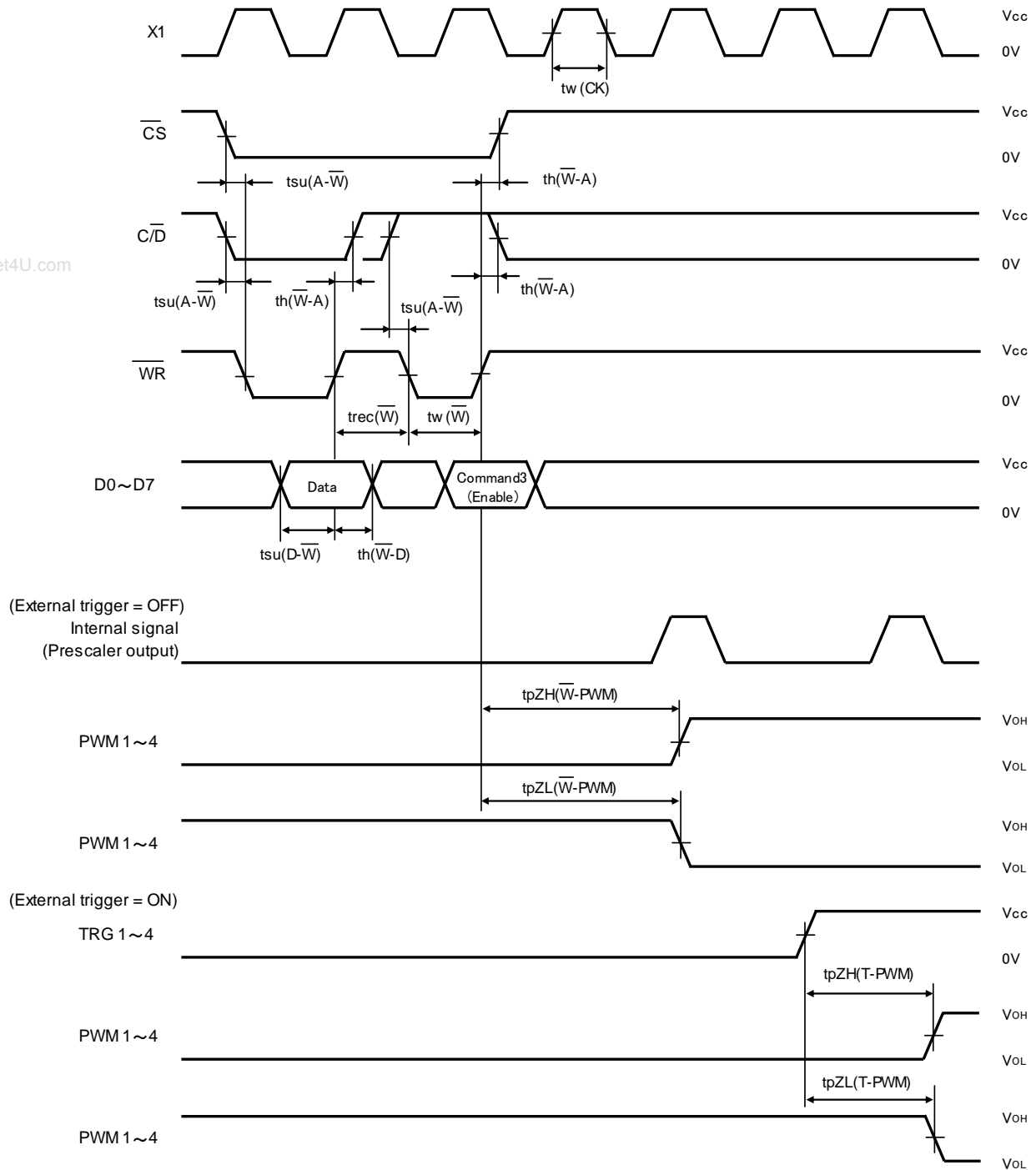
f : Clock input frequency (MHz)
L: Prescaler set value

TIMING REQUIREMENTS ($T_a = -40 \sim 85^\circ\text{C}$, $V_{cc} = 4.5 \sim 5.5\text{V}$ or $V_{cc} = 3.0 \sim 3.6\text{V}$, unless otherwise noted)

Symbol	Parameter	Test conditions	5.0V specification			3.3V specification			Unit
			Min.	Typ.	Max.	Min.	Typ.	Max.	
$t_{c(X1)}$	Clock cycle		78.5			78.5			ns
$t_{WH(X1)}$	Clock "H" pulse width		35			35			ns
$t_{WL(X1)}$	Clock "L" pulse width		35			35			ns
$t_r(X1)$	Clock rise time				20			20	ns
$t_f(X1)$	Clock fall time				20			20	ns
$t_{su}(\overline{A}-\overline{W})$	Address setup time before write (\overline{CS} , $\overline{C/D}$)		0			0			ns
$t_{h}(\overline{W}-A)$	Address hold time after write (\overline{CS} , $\overline{C/D}$)		0			0			ns
$t_{su}(\overline{D}-\overline{W})$	Data setup time before write		100			100			ns
$t_{h}(\overline{W}-\overline{D})$	Data hold time after write		0			0			ns
$t_w(\overline{W})$	Write pulse width		100			100			ns
$t_{rec}(\overline{W})$	Write recovery time		100			100			ns
$t_w(T)$	Trigger pulse width		100			100			ns
$t_w(\overline{R})$	Reset pulse width		100			100			ns
$t_{rec}(\overline{R}-\overline{W})$	Recovery time before write		100			100			ns

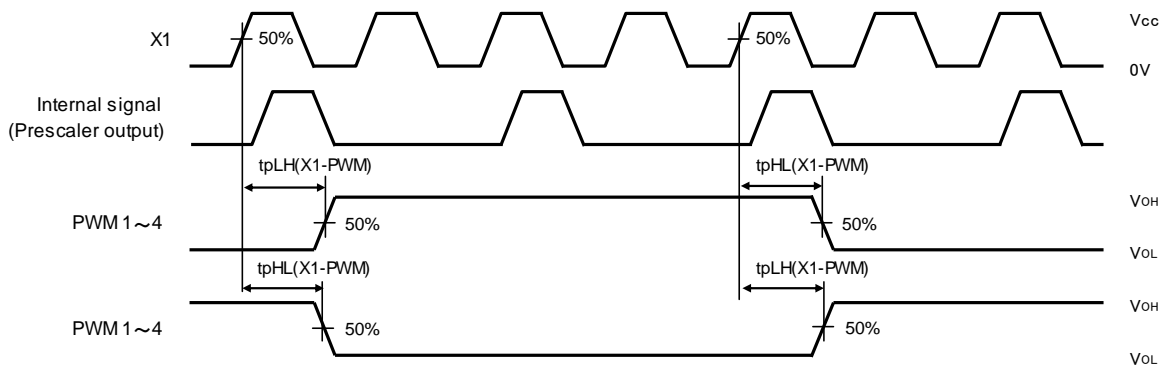
TIMING DIAGRAM

(1) MCU interface

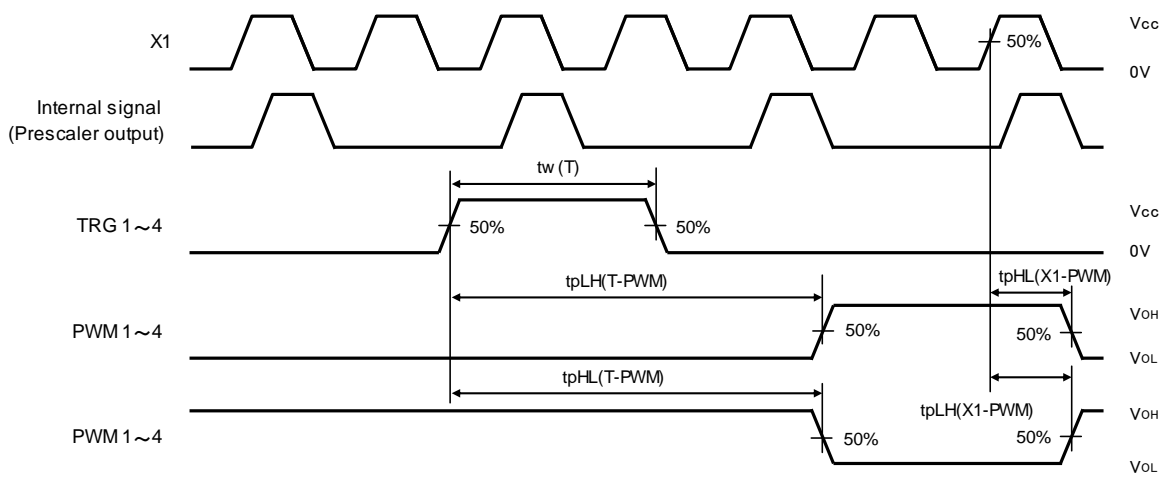


(2) In operation

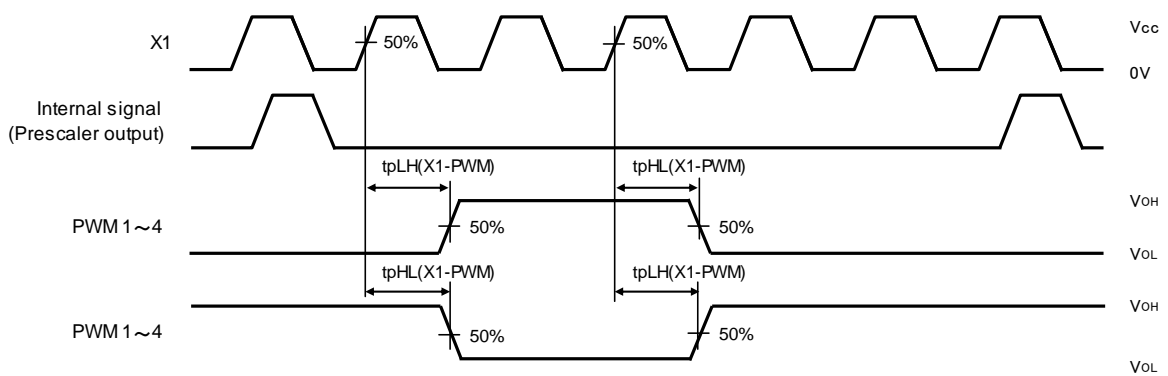
Mode 0,2 (external trigger ON, OFF)



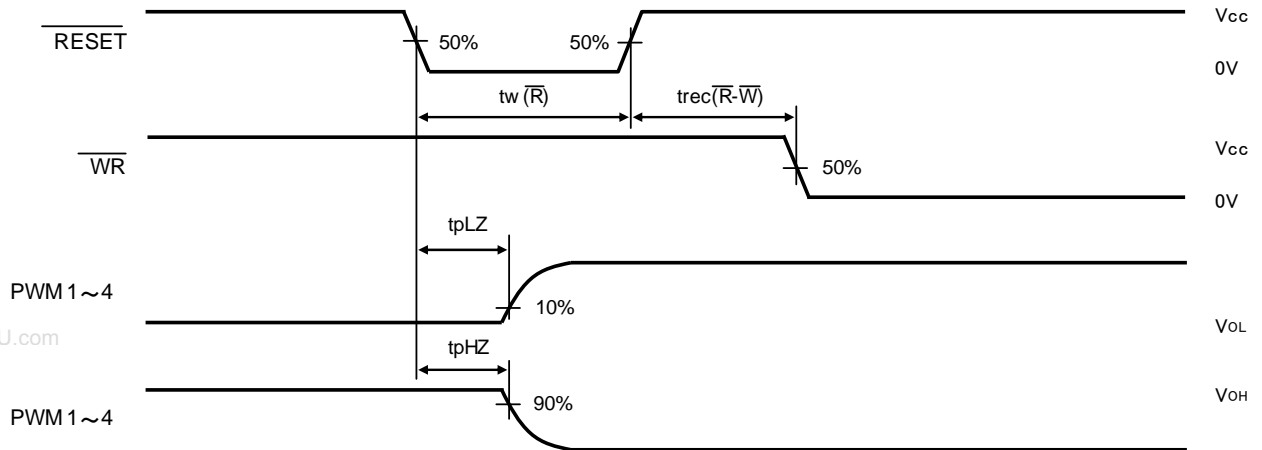
Mode 1 (external trigger ON)



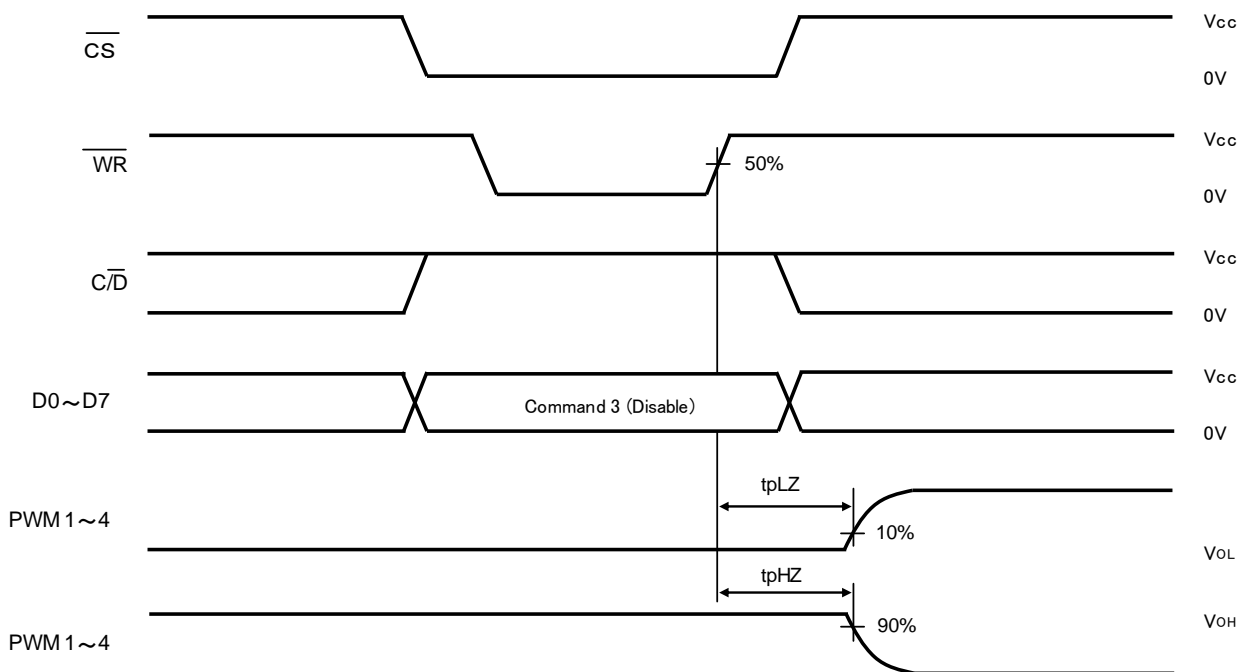
Mode 1 (external trigger OFF)



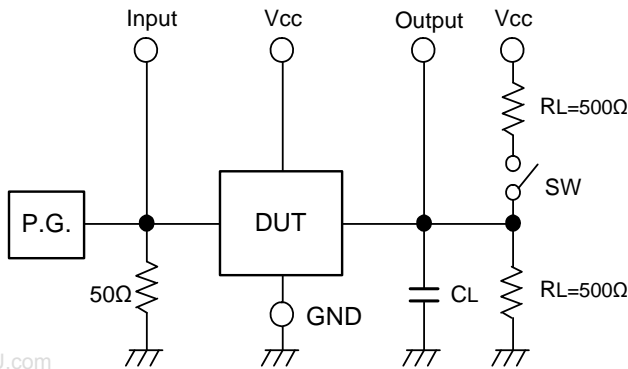
(3) At reset



(4) At disable



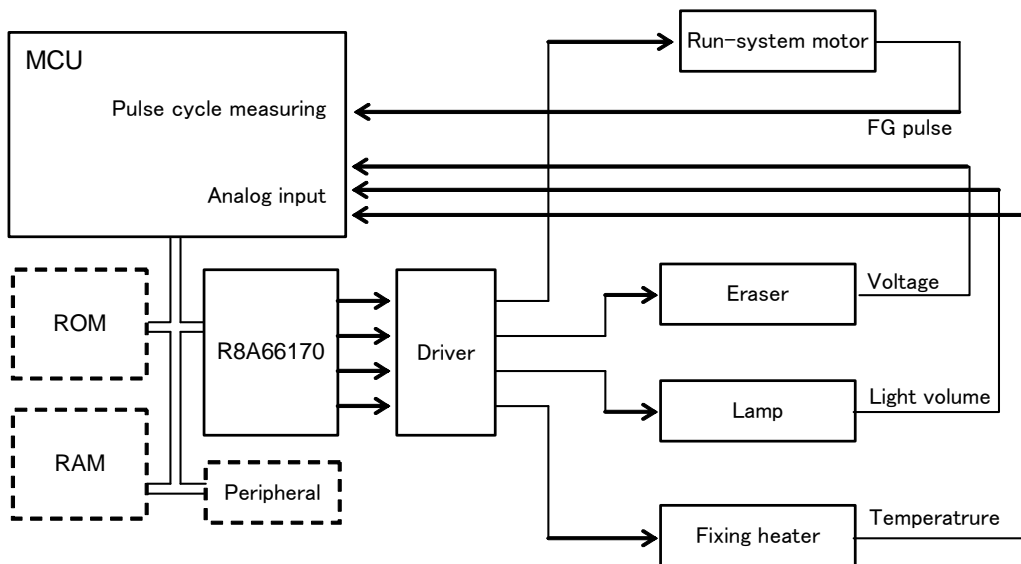
TEST CIRCUIT



Parameter	SW
t _{TLH} , t _{THL}	Open
tp _{LH} , tp _{HL}	Open
tp _{LZ}	Close
tp _{HZ}	Open
tp _{ZL}	Close
tp _{ZH}	Open

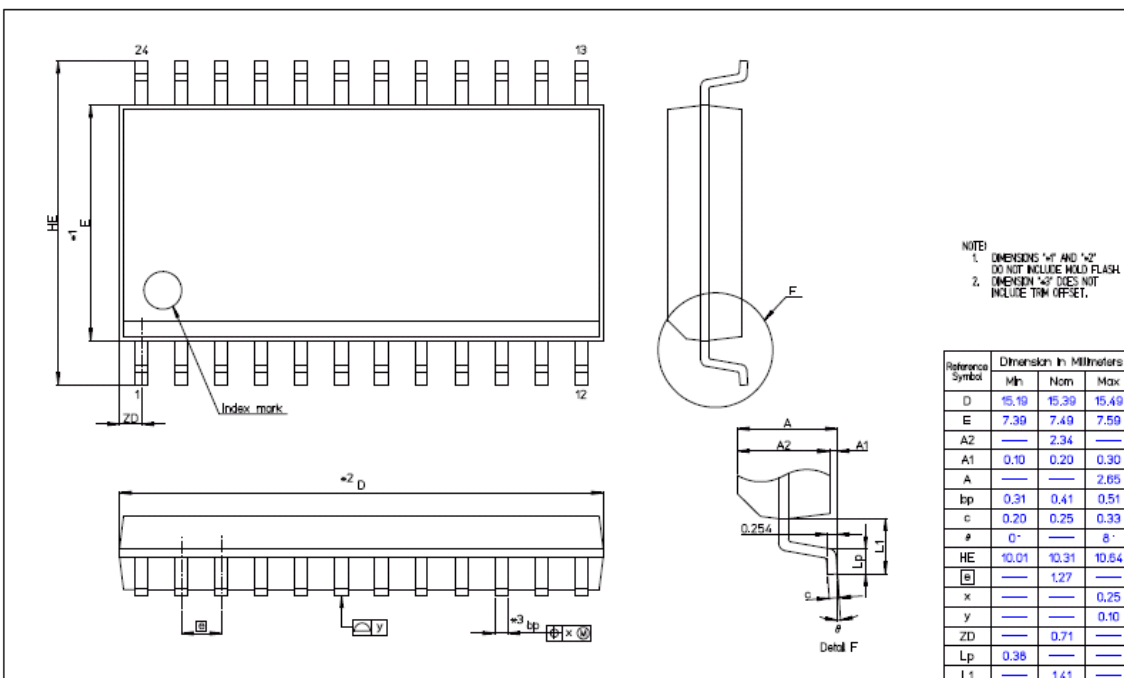
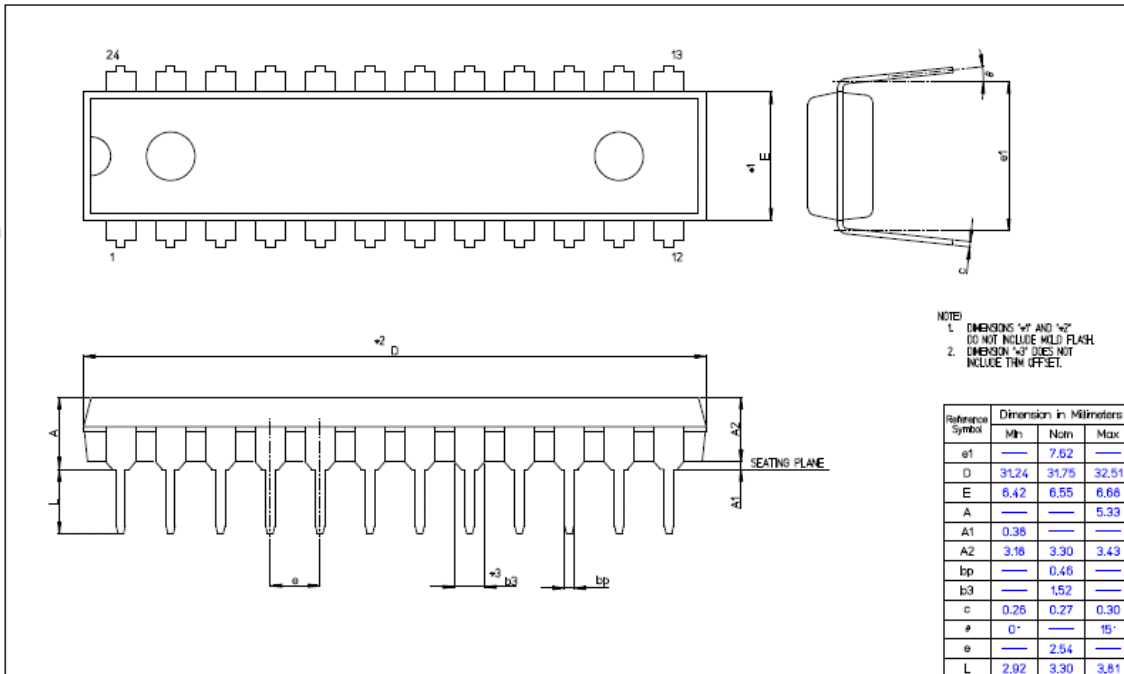
- (1) Characteristics of pulse generator(P.G.) (10%~90%)
tr=3ns, tf=3ns
- (2) C_L includes stray probe and wiring capacitance.

APPLICATION EXAMPLE



PACKAGE OUTLINE

Product Name	Package	RENESAS Code	Previous Code
R8A66170DD	24pin DIP	PRDP0024AF-A	24P4X-A
R8A66170SP	24pin SOP	PRSP0024DF-A	24P2X-B



All trademarks and registered trademarks are the property of their respective owners.

Notes:

1. This document is provided for reference purposes only so that Renesas customers may select the appropriate Renesas products for their use. Renesas neither makes warranties or representations with respect to the accuracy or completeness of the information contained in this document nor grants any license to any intellectual property rights or any other rights of Renesas or any third party with respect to the information in this document.
2. Renesas shall have no liability for damages or infringement of any intellectual property or other rights arising out of the use of any information in this document, including, but not limited to, product data, diagrams, charts, programs, algorithms, and application circuit examples.
3. You should not use the products or the technology described in this document for the purpose of military applications such as the development of weapons of mass destruction or for the purpose of any other military use. When exporting the products or technology described herein, you should follow the applicable export control laws and regulations, and procedures required by such laws and regulations.
4. All information included in this document such as product data, diagrams, charts, programs, algorithms, and application circuit examples, is current as of the date this document is issued. Such information, however, is subject to change without any prior notice. Before purchasing or using any Renesas products listed in this document, please confirm the latest product information with a Renesas sales office. Also, please pay regular and careful attention to additional and different information to be disclosed by Renesas such as that disclosed through our website. (<http://www.renesas.com>)
5. Renesas has used reasonable care in compiling the information included in this document, but Renesas assumes no liability whatsoever for any damages incurred as a result of errors or omissions in the information included in this document.
6. When using or otherwise relying on the information in this document, you should evaluate the information in light of the total system before deciding about the applicability of such information to the intended application. Renesas makes no representations, warranties or guarantees regarding the suitability of its products for any particular application and specifically disclaims any liability arising out of the application and use of the information in this document or Renesas products.
7. With the exception of products specified by Renesas as suitable for automobile applications, Renesas products are not designed, manufactured or tested for applications or otherwise in systems the failure or malfunction of which may cause a direct threat to human life or create a risk of human injury or which require especially high quality and reliability such as safety systems, or equipment or systems for transportation and traffic, healthcare, combustion control, aerospace and aeronautics, nuclear power, or undersea communication transmission. If you are considering the use of our products for such purposes, please contact a Renesas sales office beforehand. Renesas shall have no liability for damages arising out of the uses set forth above.
8. Notwithstanding the preceding paragraph, you should not use Renesas products for the purposes listed below:
 - (1) artificial life support devices or systems
 - (2) surgical implantations
 - (3) healthcare intervention (e.g., excision, administration of medication, etc.)
 - (4) any other purposes that pose a direct threat to human lifeRenesas shall have no liability for damages arising out of the uses set forth in the above and purchasers who elect to use Renesas products in any of the foregoing applications shall indemnify and hold harmless Renesas Technology Corp., its affiliated companies and their officers, directors, and employees against any and all damages arising out of such applications.
9. You should use the products described herein within the range specified by Renesas, especially with respect to the maximum rating, operating supply voltage range, movement power voltage range, heat radiation characteristics, installation and other product characteristics. Renesas shall have no liability for malfunctions or damages arising out of the use of Renesas products beyond such specified ranges.
10. Although Renesas endeavors to improve the quality and reliability of its products, IC products have specific characteristics such as the occurrence of failure at a certain rate and malfunctions under certain use conditions. Please be sure to implement safety measures to guard against the possibility of physical injury, and injury or damage caused by fire in the event of the failure of a Renesas product, such as safety design for hardware and software including but not limited to redundancy, fire control and malfunction prevention, appropriate treatment for aging degradation or any other applicable measures. Among others, since the evaluation of microcomputer software alone is very difficult, please evaluate the safety of the final products or system manufactured by you.
11. In case Renesas products listed in this document are detached from the products to which the Renesas products are attached or affixed, the risk of accident such as swallowing by infants and small children is very high. You should implement safety measures so that Renesas products may not be easily detached from your products. Renesas shall have no liability for damages arising out of such detachment.
12. This document may not be reproduced or duplicated, in any form, in whole or in part, without prior written approval from Renesas.
13. Please contact a Renesas sales office if you have any questions regarding the information contained in this document, Renesas semiconductor products, or if you have any other inquiries.



RENESAS SALES OFFICES

<http://www.renesas.com>

Refer to "<http://www.renesas.com/en/network>" for the latest and detailed information.

Renesas Technology America, Inc.
450 Holger Way, San Jose, CA 95134-1368, U.S.A
Tel: <1> (408) 382-7500, Fax: <1> (408) 382-7501

Renesas Technology Europe Limited
Dukes Meadow, Millboard Road, Bourne End, Buckinghamshire, SL8 5FH, U.K.
Tel: <44> (1628) 585-100, Fax: <44> (1628) 585-900

Renesas Technology (Shanghai) Co., Ltd.
Unit 204, 205, AZIACenter, No.1233 Lujiazui Ring Rd, Pudong District, Shanghai, China 200120
Tel: <86> (21) 5877-1818, Fax: <86> (21) 6887-7858/7898

Renesas Technology Hong Kong Ltd.
7th Floor, North Tower, World Finance Centre, Harbour City, Canton Road, Tsimshatsui, Kowloon, Hong Kong
Tel: <852> 2265-6688, Fax: <852> 2377-3473

Renesas Technology Taiwan Co., Ltd.
10th Floor, No.99, Fushing North Road, Taipei, Taiwan
Tel: <886> (2) 2715-2888, Fax: <886> (2) 3518-3399

Renesas Technology Singapore Pte. Ltd.
1 Harbour Front Avenue, #06-10, Keppel Bay Tower, Singapore 098632
Tel: <65> 6213-0200, Fax: <65> 6278-8001

Renesas Technology Korea Co., Ltd.
Kukje Center Bldg. 18th Fl., 191, 2-ka, Hangang-ro, Yongsan-ku, Seoul 140-702, Korea
Tel: <82> (2) 796-3115, Fax: <82> (2) 796-2145

Renesas Technology Malaysia Sdn. Bhd
Unit 906, Block B, Menara Amcorp, Amcorp Trade Centre, No.18, Jln Persiaran Barat, 46050 Petaling Jaya, Selangor Darul Ehsan, Malaysia
Tel: <603> 7955-9390, Fax: <603> 7955-9510