

**Cascadable Amplifier  
10 to 1000 MHz**

**RA69/SMRA69**

V2

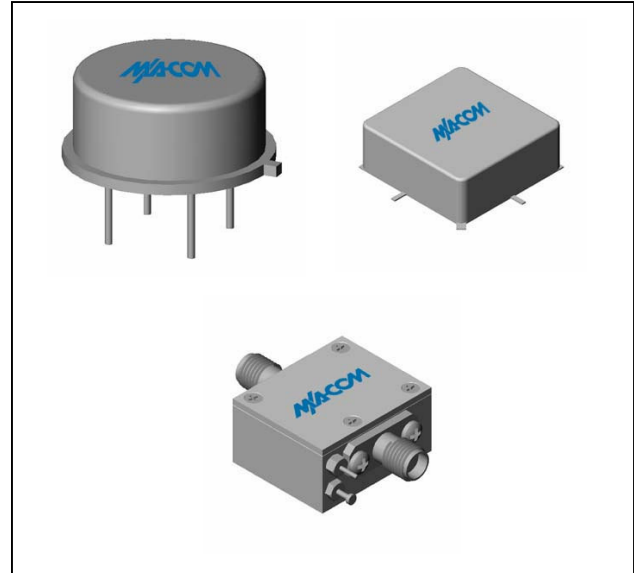
**Features**

- AVAILABLE IN SURFACE MOUNT
- HIGH GAIN-TWO STAGES: 25 dB (TYP.)
- HIGH OUTPUT POWER +23 dBm (TYP.)
- HIGH THIRD ORDER I.P. +34 dBm (TYP.)

**Description**

The RA69 RF amplifier is a discrete hybrid design, which uses thin film manufacturing processes for consistent performance and high reliability. This 2 stage bipolar transistor feedback amplifier design displays impressive performance over a broadband frequency range. An active DC biasing network insures temperature-stable performance. Both TO-8B and Surface Mount packages are hermetically sealed, and MIL-STD-883 environmental screening is available.

**Product Image**



**Ordering Information**

Part Number	Package
RA69	TO-8B
SMRA69	Surface Mount
CRA69	SMA Connectorized

**Electrical Specifications:  $Z_0 = 50\Omega$ ,  $V_{CC} = +15 V_{DC}$**

Parameter	Units	Typical	Guaranteed	
		25°C	0° to 50°C	-54° to +85°C*
Frequency	MHz	5-1000	10-1000	10-1000
Small Signal Gain (min)	dB	25.0	24.0	23.0
Gain Flatness (max)	dB	±0.3	±0.7	±1.0
Reverse Isolation	dB	33		
Noise Figure (max)	dB	4.5	5.5	6.0
Power Output @ 1 dB comp. (min)	dBm	23.0	20.0	20.0
IP3	dBm	+34		
IP2	dBm	+55		
Second Order Harmonic IP	dBm	+60		
VSWR Input / Output (max)		1.5:1 / 1.5:1	2.0:1 / 2.0:1	2.0:1 / 2.0:1
DC Current @ 15 Volts (max)	mA	130	138	145

**Absolute Maximum Ratings**

Parameter	Absolute Maximum
Storage Temperature	-62°C to +125°C
Case Temperature	125°C
DC Voltage	+17 V
Continuous Input Power	+13 dBm
Short Term Input power (1 minute max.)	50 mW
Peak Power (3 µsec max.)	0.5 W
"S" Series Burn-In Temperature (case)	125°C

**Thermal Data:  $V_{CC} = +15 V_{DC}$**

Parameter	Rating
Thermal Resistance $\theta_{jc}$	100°C/W
Transistor Power Dissipation $P_d$	0.865 W
Junction Temperature Rise Above Case $T_{jc}$	87°C

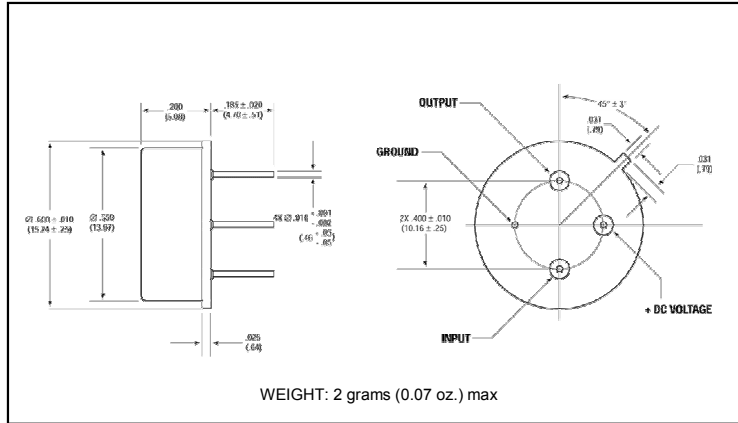
\* Over temperature performance limits for part number CRA69, guaranteed from 0°C to +50°C only.

**Cascadable Amplifier  
10 to 1000 MHz**

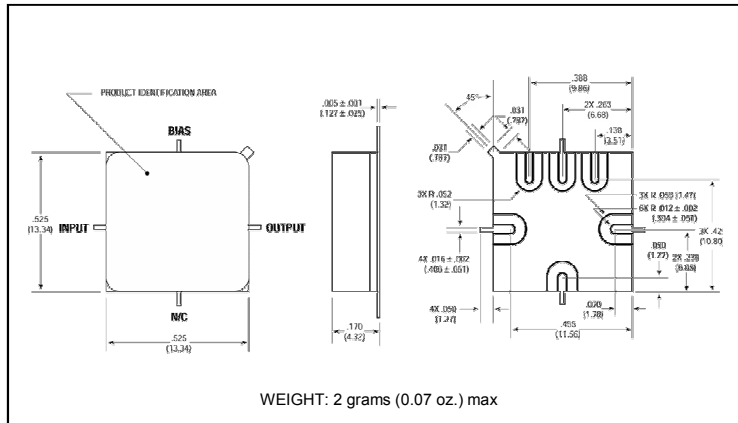
**RA69/SMRA69**

V2

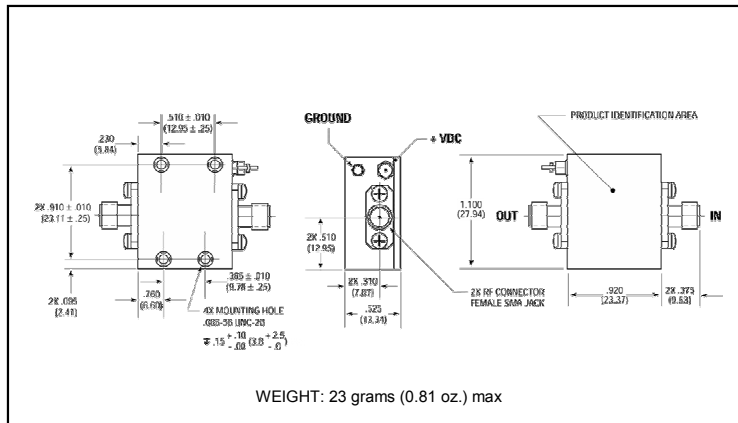
**Outline Drawing: TO-8B \***



**Outline Drawing: Surface Mount \***



**Outline Drawing: SMA Connectorized \***



\* Dimensions are inches (millimeters)  $\pm 0.015$  (0.38) unless otherwise specified.