

RTDs FOR AUTOCLAVE

RAC232, RAC242



Pt100, 4-wire
Simplex, Duplex



Range
0 to 180°C



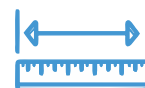
Accuracy
Class AA (1/3 DIN)
to IEC 60751



Leakproof Assembly



Sheath Material
SS316L (1.4404)



Cable Length
5 / 10 Meters

ABOUT RAC232, RAC242

RAC232 & RAC242 are specifically designed to withstand the high pressure & temperature of the continuous sterilization process in autoclaves. They are capable of measuring temperatures upto 180°C. The entire sensor assembly, including the probe and the cable extending from the RTD, can be completely submerged in water without affecting accuracy or long-term stability. It has a cannula type tip for easy penetration (Straight - RAC232, Angular - RAC242)

SPECIFICATIONS

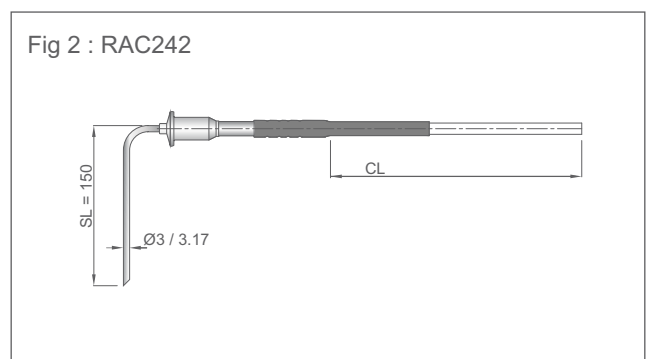
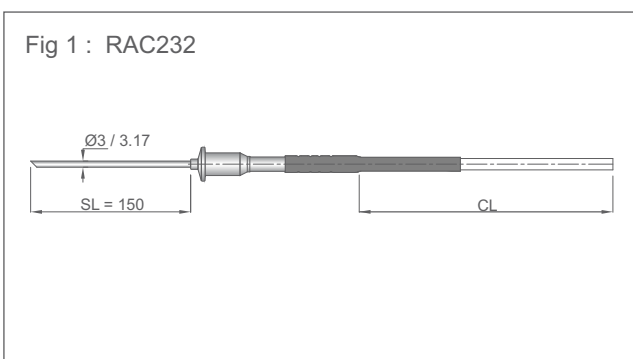
Type	Pt100, 4-wire
Accuracy*	Class AA (1/3 DIN) to IEC 60751
No. of elements	Simplex (One) Duplex (Two)
Range	0 to 180°C
Sheath material	SS316L (1.4404)
Sheath diameter	3 / 3.17 mm
Sheath length (SL)	150 mm (see Fig1, Fig2)
Cable type	Teflon insulated cable
Cable length* (CL)	5 / 10 meters

* Class AA (1/3 DIN) accuracy for cable length upto 10 meters

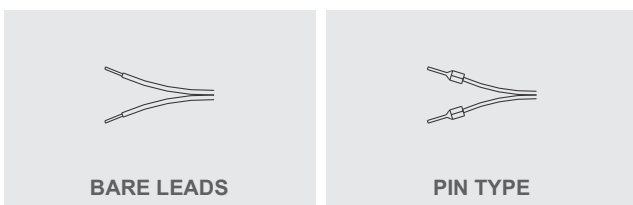
VALIDATION PORT



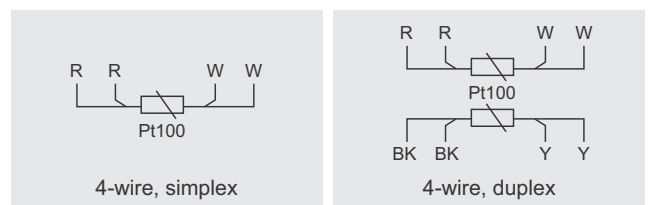
DIMENSIONS mm



CABLE TERMINATION TYPES



CIRCUIT DIAGRAMS



RTDs FOR AUTOCLAVE

RAC232, RAC242

KEY FEATURES

- Cannula type tip for easy penetration
- Accuracy : Class AA (maximum cable length 10 m)
- Measuring range : 0 to 180°C
- Completely sealed construction
- 2 x Pt100, 4-wire

ORDERING INFORMATION

CODE	SPECIFICATIONS	1	2	3	4	5
RAC232	Straight Tube					
RAC242	Angular					
1	No of Elements					
	Simplex (One)	S				
	Duplex (Two)	D				
2	Cable Length (CL, see Fig1, Fig2)					
	5 m		05			
	10 m		10			
3	Cable Termination					
	Bare leads			BR		
	Pin type			PN		
4	Future Parameter 1					
	For future use				XX	
5	Future Parameter 2					
	For future use					XX

CODE -1-2-3-4-5

Order Code Format : XXXXXX-X-XX-XX-XX-XX

Example

Dual element, 5 m cable, bare leads cable termination

RAC232-D-05-BR-XX-XX

RAC242-D-05-BR-XX-XX

RTDs FOR
AUTOCLAVE

ENQUIRIES

Email : sensors@radix.co.in

Call : + 91 93214 15829

Website : www.radix.co.in