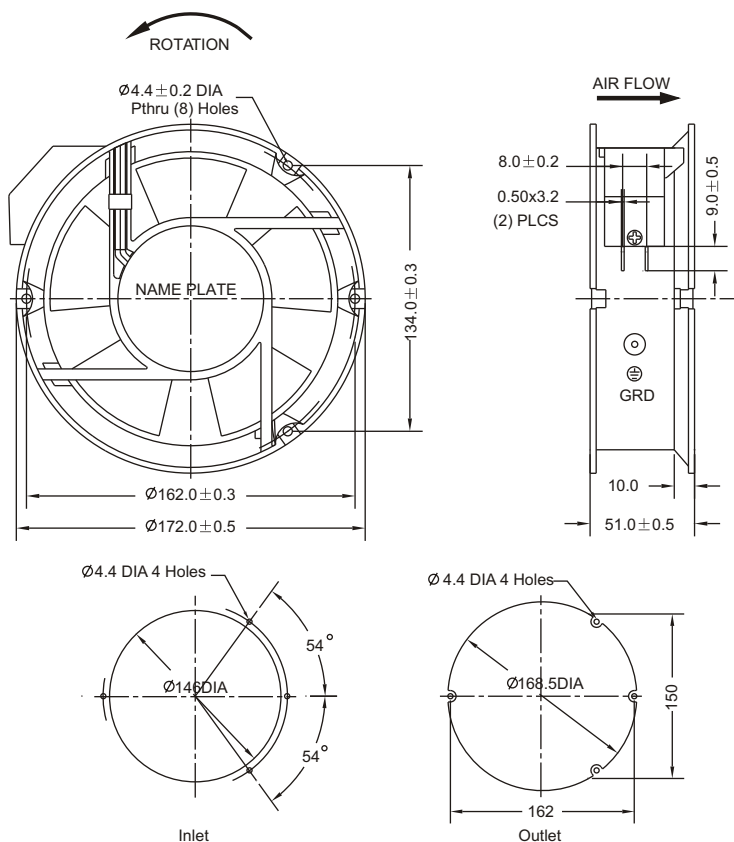


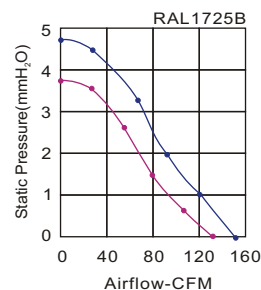
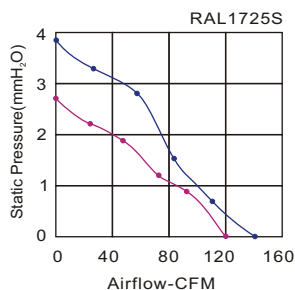
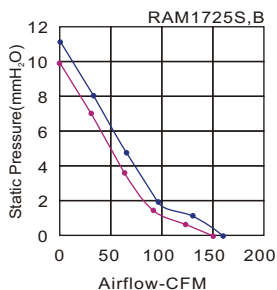
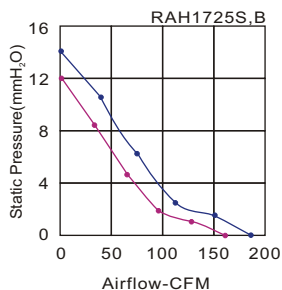
AC 1725 SERIES AXIAL FAN



Size: Ø172mmx51mm
 Airflow: 204~318m³/hr
 120~187CFM
 Weight: 955g
 Noise: 42~55dBA
 Impeller: PBT UL94V-0 Reinforced Plastic
 Frame: Aluminium Alloy
 Terminals: 0.5mm
 Lead Wire: AWG#22 UL 1015
 (Optional)
 Motor: Shaded Pole Induction Motor
 Safety: UL.CUL.TUV.CE
 Operation Temperature: -10°C~+60°C

Unit:mm

Model	Bearing System	Voltage VAC	Freq. Hz	Current A	Power W	Speed RPM	Noise dBA	Air Flow		Static Pressure (mmH ₂ O)	Weight Gram
								M ³ /hr	CFM		
RAH1725S1	Sleeve	220~240	50/60	0.40	47/41	2700/3100	51/55	275/318	162/187	12.0/14.0	955
RAM1725S1		220~240	50/60	0.30	28/27	2500/2700	49/51	258/275	152/162	9.8/11.0	
RAL1725S1		220~240	50/60	0.20	20/20	2000/2300	42/46	204/241	120/142	2.6/3.8	
RAH1725S2		100~125	50/60	0.60	47/41	2700/3000	51/55	275/318	162/187	12.0/14.0	
RAM1725S2		100~125	50/60	0.50	28/27	2500/2700	49/51	258/275	152/162	9.8/11.0	
RAL1725S2		100~125	50/60	0.40	20/20	2000/2300	42/46	204/241	120/142	2.6/3.8	
RAH1725B1	Ball	220~240	50/60	0.40	47/41	2700/3100	51/55	275/318	162/187	12.0/14.0	
RAM1725B1		220~240	50/60	0.30	28/27	2500/2700	49/51	258/275	152/162	9.8/11.0	
RAL1725B1		220~240	50/60	0.20	20/20	2200/2500	45/49	226/258	133/152	3.7/4.7	
RAH1725B2		100~125	50/60	0.60	47/41	2700/3100	51/55	275/318	162/187	12.0/14.0	
RAM1725B2		100~125	50/60	0.50	28/27	2500/2700	49/51	258/275	152/162	9.8/11.0	
RAL1725B2		100~125	50/60	0.40	20/20	2200/2500	45/49	226/258	133/152	3.7/4.7	



Key
 — 60Hz
 — 50Hz