

1. Introduction

1.1 Features

- **Fully integrated battery management solution with battery capacity measurement and programmable protection capability.**
- **Supports up to 5 Li-ion or Li-Polymer battery cells in series.**
- **Integrated with Renesas Ultra Low Power RL78 CPU core for multi-function process**
- **Memory**
Code flash memory: 32 to 64 KB
Data flash memory (up to 100,000 erase/write cycles): 4 KB
SRAM: 1.5 to 4 KB
- **Clock generator**
High speed on-chip oscillator: up to 32 MHz
Low speed on-chip oscillator: 32 KHz
AFE on-chip oscillator: 4.194MHz
- **General Purpose I/O Ports**
Total: 11 pins
CMOS input/output: 6
CMOS input: 2
N-ch open drain: 2
High voltage output [VCC tolerance]: 1
- **Serial interface**
CSI (SPI): 1 channel
I2C: 1 channel
UART: 1 channel
Simplified I2C: 1 channel
- **Timer**
MCU 16-bit timer: 3 channels
MCU 12-bit interval timer: 1 channel
AFE timer: 2 channels
 - AFE timer A: setting range: 125 ms to 64 s
 - AFE timer B: setting range : 30.52 us to 125 ms
- **Embedded A/D converter**
AFE 15-bit resolution sigma-delta A/D converter
- **Current integration circuit**
18-bit resolution sigma-delta A/D converter

- **Impedance measurement circuit**
Simultaneous measurement of battery voltage and current
- **Over current detection circuit**
Short circuit current detection
Charge overcurrent detection
Discharge overcurrent detection
Charge wakeup current detection
Discharge wakeup current detection
- **Series regulator**
3.3V CREG2
1.8V CREG1
- **Charge and Discharge MOSFET control**
High side Nch MOSFET drive circuit embedded
Programmable MOSFET control by 8-bit PWM
- **Fuse control**
FUSEOUT pin can support fuse blow function.
- **Intel® Dynamic Battery Power Technology support**
- **Voltage and temperature condition**
Power supply voltage: VCC = 4.0 to 25 V
Operating ambient temperature: Ta = -20 to +85°C
- **Package Information**
32 pin plastic mold QFN
([Body] 4.0 mm x 4.0 mm, 0.4 mm pitch)
- **Device Lineup**

Device	Flash ROM	Data Flash	RAM
RAJ240071	32KB	4KB	1.5KB
RAJ240075	64KB		4KB

1.2 Applications

- E-Bike, E-Scooter, Pedal-Assist Bicycle
- Power Tool, Vacuum Cleaner, Drone
- Battery Backup System, Energy Storage System (ESS)

1.3 Description

RAJ240071 and RAJ240075 (hereafter these are written as RAJ24007X) are Renesas Li-ion battery fuel gauge IC (FGIC) which consists of a MCU device and an AFE device in a single package. Pack with a variety of battery management features and Renesas RL78 CPU core which has multiple low power modes and capable of achieving high performance in ultra-low power operation. RAJ24007X fuel gauge IC has control firmware stored in embedded flash memory to control attached embedded analog and digital circuits to execute battery voltage / current / temperature measurement, remaining capacity estimation, over current / voltage / temperature protection and other battery management operations.

Table of Contents

1.	Introduction.....	1
1.1	Features.....	1
1.2	Applications.....	1
1.3	Description.....	1
2.	OUTLINE.....	3
2.1	Outline of Functions.....	3
2.2	Pin Configuration.....	5
3.	PIN FUNCTIONS.....	6
3.1	Pin identification.....	6
3.2	Pin Functions.....	7
3.3	Pin Block Diagram.....	9
4.	ELECTRICAL SPECIFICATIONS.....	12
4.1	Absolute Maximum Ratings.....	12
4.2	Power supply voltage condition.....	13
4.3	Supply current characteristics.....	13
4.4	Oscillator Characteristics.....	14
4.5	Pin characteristics.....	15
4.6	AC Characteristics.....	18
4.7	MCU peripheral circuit characteristics.....	21
4.8	AFE peripheral circuit characteristics.....	29
4.9	Flash Memory Programming Characteristics.....	34
4.10	Dedicated Flash Memory Programmer Communication (UART).....	34
4.11	Timing of Entry to Flash Memory Programming Modes.....	35
5.	Detailed description.....	36
5.1	Overview.....	36
5.2	System block diagram.....	36
5.3	MCU block diagram.....	37
5.4	AFE block diagram.....	38
6.	Application Guideline.....	39
6.1	Typical Application Specification.....	39
6.2	Typical Application Circuit.....	40
6.3	Circuit Design Guideline.....	41
6.4	Layout Guidelines.....	50
7.	PACKAGE DRAWINGS.....	55
	REVISION HISTORY.....	56

2. OUTLINE

2.1 Outline of Functions

Caution This outline describes the functions at the time when Peripheral I/O redirection register 0 (PIOR0) is set to "00H".

(1/2)

Item		Description
Code flash memory		32 KB / 64 KB (RAJ240071 / RAJ240075)
Data Flash memory		4 KB
RAM		1.5 KB / 4 KB (RAJ240071 / RAJ240075)
Address size		1 MB
Main system clock	High speed on-chip Oscillator clock(fIH)	HS (high-speed main) mode: 1 to 32 MHz LS (low-speed main) mode: 1 to 8 MHz ,
Low speed on-chip oscillator clock		15 kHz (TYP.)
General purpose register		8 bits × 32 registers (8 bits × 8 registers × 4 banks)
Minimum instruction execution time		0.03125 us(Internal high speed oscillation clock: fIH = 32 MHz)
Instruction set		<ul style="list-style-type: none"> • Data transmission (8/16 bits) • Addition and subtraction/logical operations (8/16 bits) • Multiplication (8×8 bits,16×16 bits),Division (16÷16 bits,32÷32 bits) • Rotate, barrel shift, bit manipulation (set, reset, test, Boolean operation) etc.
I/O Port	CMOS I/O	6
	CMOS input	2
	N-ch open-drain I/O [6V tolerance)	2
	High voltage port	Output only 1
Timer	16-bit timer	5 channels (TAU : 4 channels, Timer RD : 1 channel)
	Watchdog timer	1 channel
	12-bit interval timer	1 channel
Serial interface		CSI: 1 channel / UART: 1 channel / simplified I2C: 1 channel
	I ² C bus	1 channel
Vector interrupt source	Internal	10
	External	9 (6 sources is connected to AFE in the chip)
Reset		<ul style="list-style-type: none"> • Reset by RESET pin (reset circuit output of AFE connected to RESETOUT) • Internal reset by watchdog timer • Internal reset by illegal instruction execution ^{Note} • internal reset by RAM parity error • internal reset by illegal memory access
On-chip debug function		Support

Note The illegal instruction execution is generated when instruction code FFH is executed. Reset by the illegal instruction execution not is issued by emulation with the in-circuit emulator or on-chip debug emulator.

(2/2)

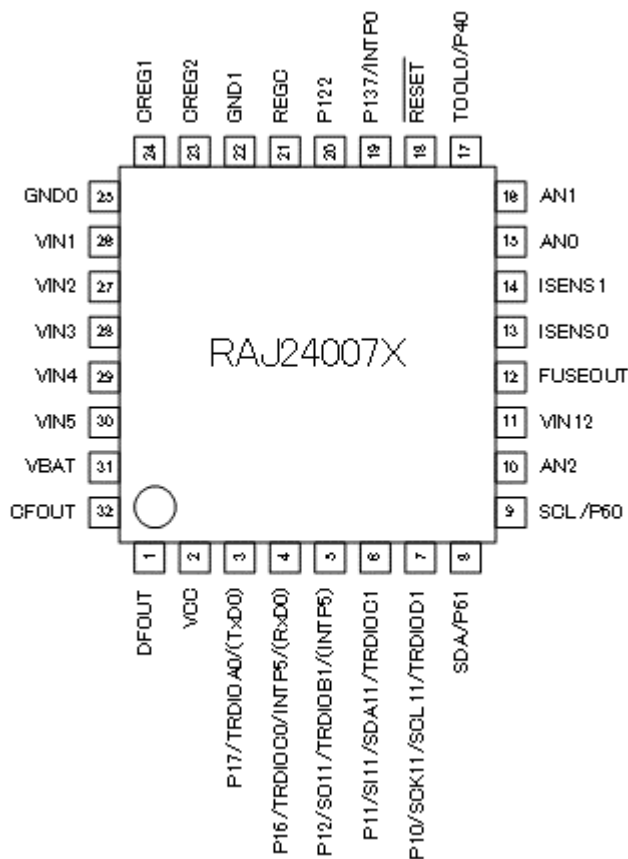
Item	Description
PWM	8 bits ×1 for FET control
Sigma-delta A/D converter	15-bit resolution (sigma-delta method) <ul style="list-style-type: none"> • Each battery Cell voltage • Battery Cell total voltage • VIN12 pin input voltage • Thermistor sensor port with on-chip pull-up 10kohm resistor: 3 channels • On-chip simple temperature sensor (temperature range: -20 to 85C)
Current integrating circuit	1 channel:18-bit resolution
Current integrating circuit for impedance measurement	1 channel:11-bit resolution
Overcurrent detection circuit and wake up current detection circuit	<ul style="list-style-type: none"> • Discharge short-circuit current detection • Discharge overcurrent detection • Charge overcurrent detection, • Wake up current detection (discharge and charge) • Intel® Dynamic Battery Power Technology current detection
Simple temperature sensor	1 channel
Charge/Discharge FET control circuit	NchFET driver for charge control NchFET driver for discharge control
Power on reset circuit	Return from power down mode by detecting voltage and connecting charger
Series regulator ^{Note1}	CREG2: Power supply for MCU (3.3 V) CREG1: Reference voltage for AFE A/D converter and current integration circuit (1.8V)
Reset circuit	Series regulator output monitoring (CREG2)
Cell balancing circuit	5 series cells support (On-resistor: 500ohm TYP)
MCU runaway detection circuit	20 bits×1(2 / 4 / 8 [s] to be selected)
AFE On-chip oscillator ^{Note2}	4.194 MHz (TYP)
AFE timer	2 channels <ul style="list-style-type: none"> • AFE timer A (setting range : 125 ms to 64 s) • AFE timer B (setting range : 30.52 us to 125 ms)
MCU-AFE communication interface(C2C)	AFE ~ MCU communication (Chip to Chip Interface)
Power supply voltage	VCC = 4.0 to 25 V
Operation ambient temperature	-20 to 85C
Package	32 pin plastic mold QFN([Body] 4.0mm x 4.0mm , 0.4 mm pitch, 0.95 mm thickness)

Note 1. Series regulator stabilization time is 10ms after AFE power on.

Note 2. 2ms wait is need for stabilization after On-chip oscillator is started.

2.2 Pin Configuration

- 32 pin plastic mold QFN ([Body] 4.0mm x 4.0mm , 0.4 mm pitch)



Caution 1. REGC pin connects to GND1 pin through a capacitor (0.47 to 1 uF)

Caution 2. CREG1 pin connects to GND0 pin through a capacitor (1 uF).

Caution 3. CREG2 pin connects to GND1 pin through a capacitor (2.2 uF).

Remark 1. Pin name refer to [3.1 Pin identification].

Remark 2. Functions in parentheses in the above figure can be assigned via settings in the peripheral I/O redirection register 0 (PIOR0).

3. PIN FUNCTIONS

3.1 Pin identification

No.	Name	Type	Description
1	DFOUT	HVO	Discharge FET control
2	VCC	P	Power supply
3	P17/TRDIOA0/(TxD0)	DIO(5-BC)	Port 17 Leave open in output mode if not used.
4	P16/TRDIOC0/INTP5/(RxD0)	DIO(5-BC)	Port 16 Leave open in output mode if not used.
5	P12/SO11/TRDIOB1/(INTP5)	DIO(5-BB)	Port 12 Leave open in output mode if not used.
6	P11/SI11/SDA11/TRDIOC1	DIO(8-R)	Port 11 Leave open in output mode if not used.
7	P10/SCK11/SCL11/TRDIOD1	DIO(5-AN)	Port 10 Leave open in output mode if not used.
8	SDA/P61	DIO(13-R)	I2C Bus data I/O Input/Output
9	SCL/P60	DIO(13-R)	I2C Bus data I/O Input/Output
10	AN2	AIN	Analog Input
11	VIN12	AIN	Charger connection monitoring
12	FUSEOUT	HVIO	Fuse FET control
13	ISENS0	AIN	Analog input for current integration circuit
14	ISENS1	AIN	Analog input for current integration circuit
15	AN0	AIN	Analog Input
16	AN1	AIN	Analog Input
17	TOOL0/P40	DIO(8-R)	Data Input/Output for tools
18	RESET	DIN (2)	Reset Input
19	P137/INTP0	DIN (2)	Port 137 Connect to GND1 through a resistor if not used.
20	P122	DIN (37-C)	Port 122 Connect to GND1 through a resistor if not used.
21	REGC	P	Regulator capacitor connection
22	GND1	P	Ground
23	CREG2	P	Regulator capacitor connection
24	CREG1	P	Regulator capacitor connection
25	GND0	P	Ground
26	VIN1	AIN	Battery voltage input
27	VIN2	AIN	Battery voltage input
28	VIN3	AIN	Battery voltage input
29	VIN4	AIN	Battery voltage input
30	VIN5	AIN	Battery voltage input
31	VBAT	AIN	Battery voltage input
32	CFOUT	HVO	Charge FET control

Remark Functions in parentheses in the above figure can be assigned via settings in the peripheral I/O redirection register 0 (PIOR0).

HVO: high voltage output

DIO: digital I/O

HVIN: high voltage input

DIN: digital input

HVIO: high voltage input/output

AIN: analog input

P: power

3.2 Pin Functions

(1/2)

Category	Pin name	I/O	Function
Power supply	VCC	—	Power supply input Apply power supply voltage to VCC pin from a charger or battery.
	GND0, GND1	—	Device ground input. Connect the negative input terminal of lithium-ion battery 1 to the GND0 and GND1 pins
	CREG1 ^{Note 1}	—	1.8V series regulator for AFE A/D converter Connect this pin to VSS via a capacitor (1.0 uF).
	CREG2	—	3.3V series regulator and power supply for MCU Connect this pin to VSS via a capacitor (2.2 uF).
	REGC ^{Note 2}	—	Pin for connecting regulator output stabilization capacitance for internal operation. Connect this pin to VSS via a capacitor (0.47 to 1 uF). Also, use a capacitor with good characteristics, since it is used to stabilize internal voltage.
RESET	RESET	Input	This is the active-low system reset input pin for IC.
TOOL0	TOOL0 ^{Note 3}	input	Data I/O for flash memory programmer/debugger. Connect to the CREG2 via an external pull-up resistor in the on chip debug mode
Serial interface (UART0)	RxD0	input	Serial data input pins of serial interface UART0
	TxD0	output	Serial data output pins of serial interface UART0
Serial interface (CSI11)	SCK11	I/O	Serial clock I/O pin of serial interface CSI11
	SI11	input	Serial data input pin of serial interface CSI11
	SO11	output	Serial data output pin of serial interface CSI11
Serial interface (IIC11)	SCL11	output	Serial clock output pin of serial interface IIC11
	SDA11	I/O	Serial data I/O pin of serial interface IIC11
Serial interface (IICA0)	SCL	I/O	Serial clock I/O pins of serial interface IICA0
	SDA	I/O	Serial data I/O pins of serial interface IICA0,
A/D converter	AN0, AN1, AN2	input	AFE A/D converter analog input
Current integration circuit and overcurrent detection circuit	ISENS0, ISENS1	input	Analog input for current integration circuit and over current detection circuit
Timer	TRDIOA0, TRDIOB1, TRDIOC0, TRDIOC1, TRDIOD1	I/O	Timer RD input/output

Note 1. CREG1 is not external power supply pin. (Do not draw current from CREG1.)

Note 2. REGC is not external power supply pin. (Do not draw current from REGC.)

Note 3. After reset release, the connection between P40/TOOL0 and the operating mode are as follows.

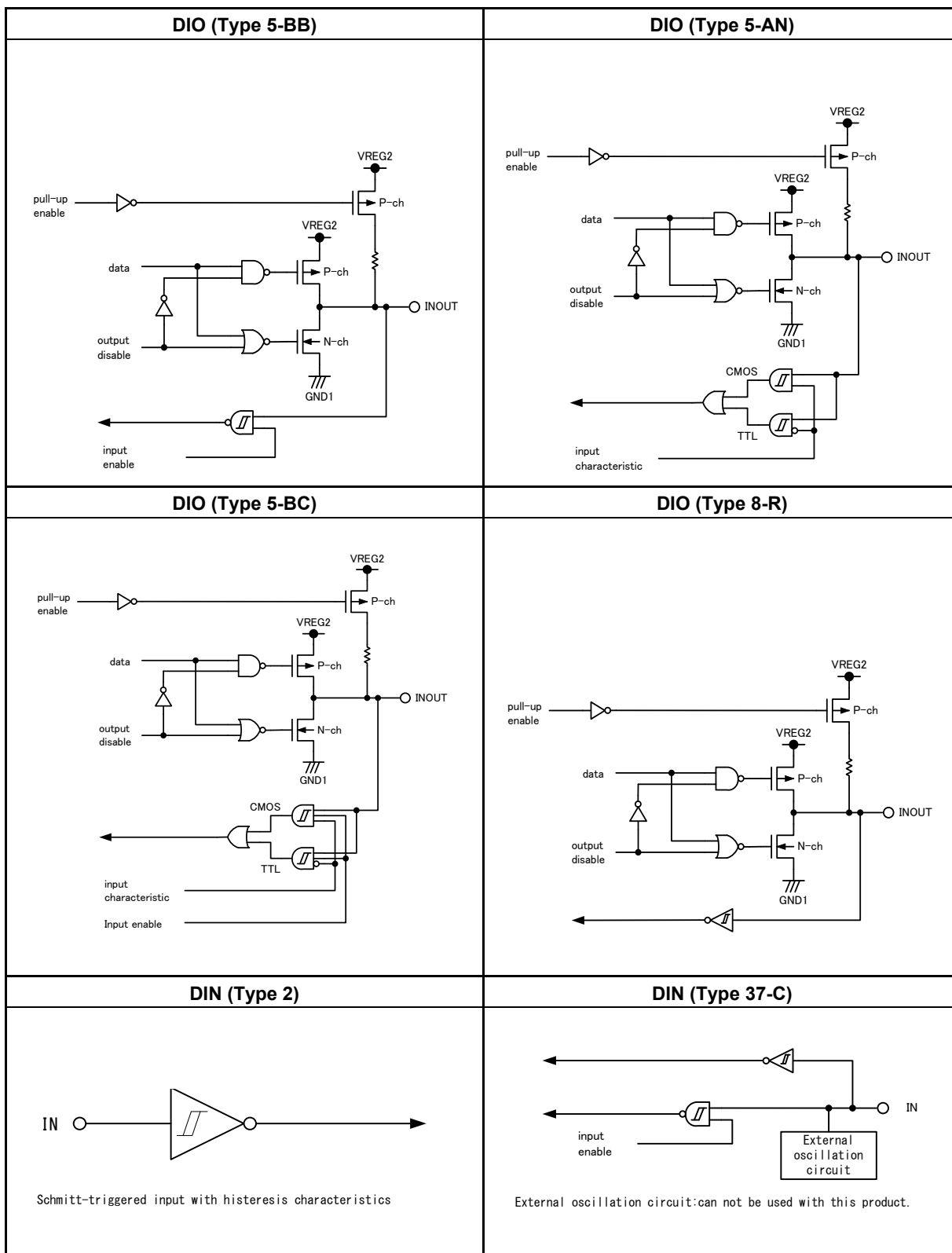
Table 3-1 TOOL0 Pin Operation Mode after Reset Release

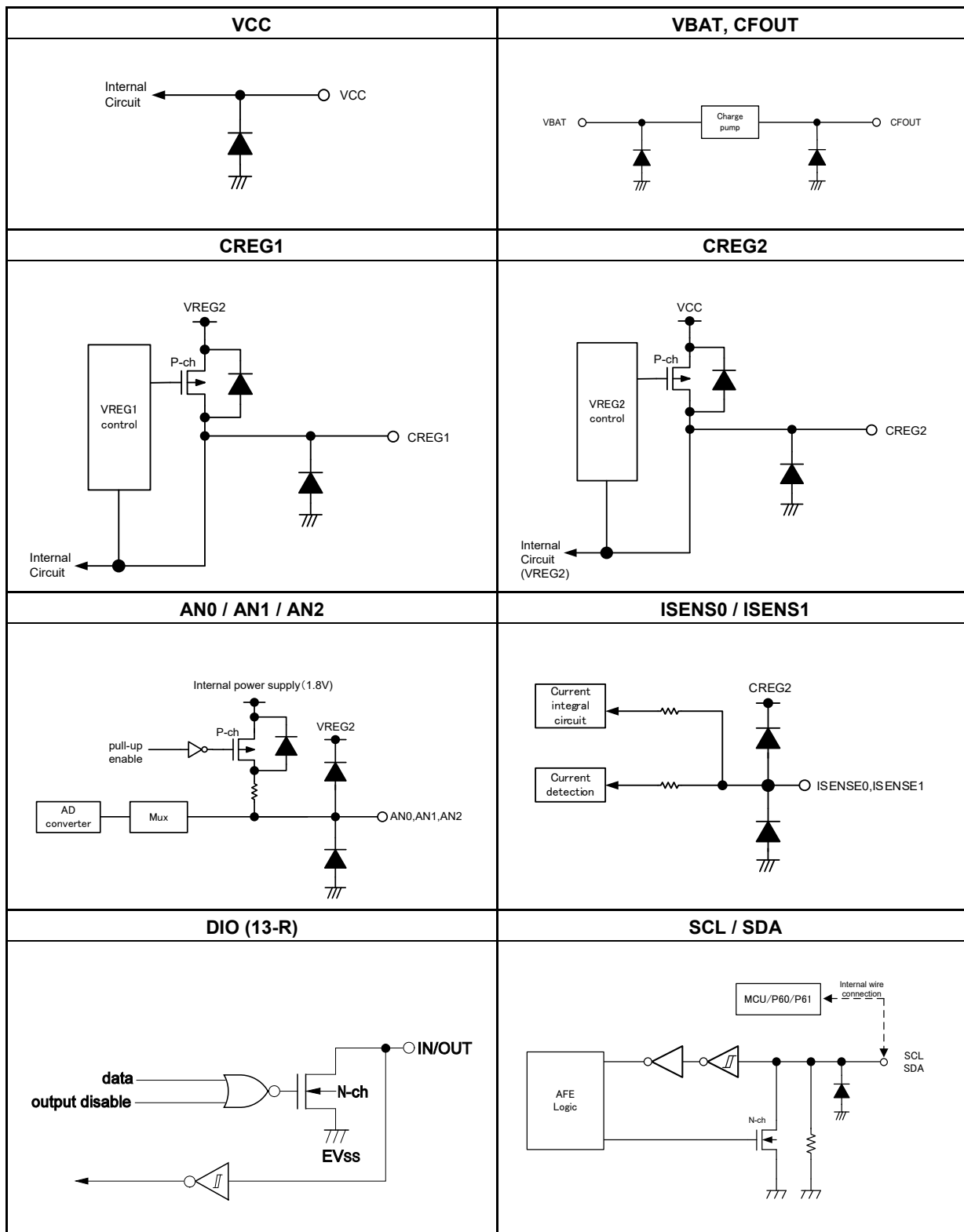
P40/TOOL0	Operation Mode
CREG2	Normal operation mode
0V	Flash memory programming mode

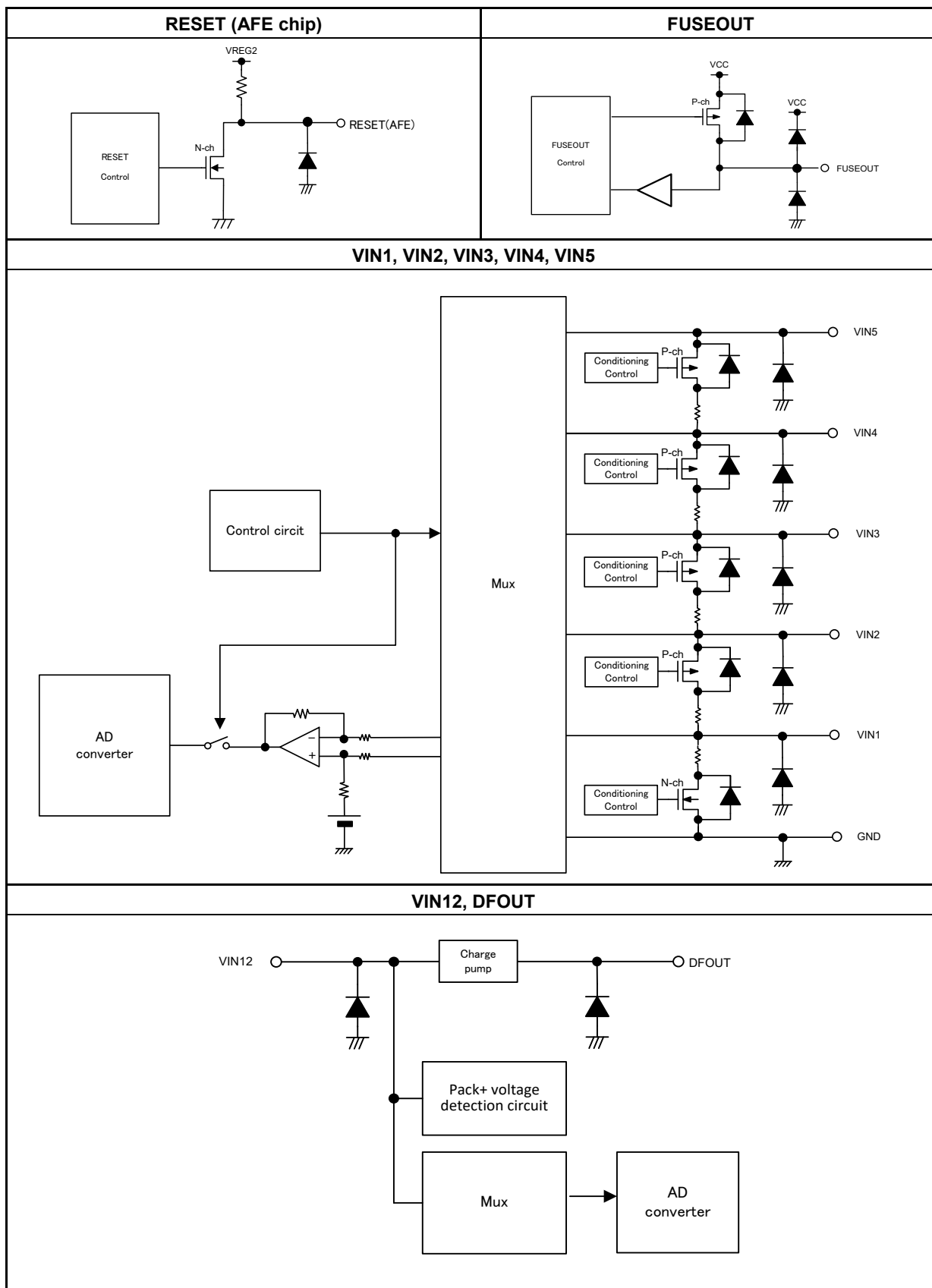
(2/2)

Category	Pin name	I/O	Function
External interrupt input	INTP0, INTP5	input	Interrupt request input pin.
Charger connection detect	VIN12	Input	Charger voltage input and source voltage of discharge FET drive port (DFOUT)
Battery connection detect	VBAT	input	Sense voltage input pin for most positive cell and source voltage for charge FET drive port (CFOUT)
Battery voltage detection circuit	VIN5	input	The positive input terminal of lithium-ion battery 5.
	VIN4	Input	The negative input terminal of lithium-ion battery 5 and the positive input terminal of lithium-ion battery 4
	VIN3	Input	The negative input terminal of lithium-ion battery 4 and the positive input terminal of lithium-ion battery 3
	VIN2	Input	The negative input terminal of lithium-ion battery 3 and the positive input terminal of lithium-ion battery 2
	VIN1	Input	The negative input terminal of lithium-ion battery 2 and the positive input terminal of lithium-ion battery 1
FET control output	DFOUT	Output	ON/OFF signal output pin for discharge FET.
	CFOUT	Output	ON/OFF signal output pin for charge FET.

3.3 Pin Block Diagram







4. ELECTRICAL SPECIFICATIONS

Caution This product has an on-chip debug function, which is provided for development and evaluation. Do not use the on-chip debug function in products designated for mass production because the guaranteed number of rewritable times of the flash memory may be exceeded when this function is used, and product reliability therefore cannot be guaranteed. Renesas Electronics is not liable for problems occurring when the on-chip debug function is used.

4.1 Absolute Maximum Ratings

Absolute Maximum Ratings

Parameter	Symbols	Conditions		Ratings	Unit
Supply voltage	VCC	VCC		-0.5 to +30	V
	GND	GND0, GND1		-0.5 to 0.3	V
CREG1 pin input voltage	VCREG1	CREG1		-0.3 to +2.0 ^{Note 1}	V
CREG2 pin input voltage	VCREG2	CREG2		-0.3 to +5.5 ^{Note 3}	V
REGC pin input voltage	VIREGC	REGC		-0.3 to 2.8 and -0.3 to (CREG2+0.3) ^{Note 2}	V
Input voltage	VI1	P10 to P12, P16, P17, P40 (TOOL0), P122, P137, RESET		-0.3 to (CREG2+0.3) ^{Note 4}	V
	VI2	SCL(P60), SDA(P61) (N-ch open-drain)		-0.3 to +5.5	V
	VIN-H	VIN5, VIN4, VIN3, VIN2, VIN1, VBAT, VIN12		-0.5 to +30	V
	VIN-B	VIN5 to VIN4, VIN4 to VIN3, VIN3 to VIN2, VIN2 to VIN1, VIN1 to GND0		-0.5 to +7	V
	VIN-L	AN0, AN1, AN2, ISENS0, ISENS1		-0.3 to +2.0	V
Output voltage	VO1	P10 to P12, P16, P17, P40 (TOOL0), SCL(P60), SDA(P61)		-0.3 to (CREG2+0.3) ^{Note 4}	V
	VO-H	CFOUT, DFOUT		-0.5 to +30	V
	VO-FH	FUSEOUT		-0.3 to VCC+0.3 and -0.5 to 30	V
High-level output current	IOH	Per pin	P10 to P12, P17	-40	mA
		Total of all pins	P10 to P12, P17	-100	mA
	IOH-FH	FUSEOUT		-10	mA
Low-level output current	IOL	Per pin	P10 to P12, P17	+40	mA
		Total of all pins	P10 to P12, P17	+100	mA
Power consumption	Pd	Topr = 25 C		300	mW
Operating ambient Temperature	TA	-		-20 to +85	C
Storage temperature	Tstg	-		-65 to +150	C

- Note 1.** Connect the CREG1 pin to GND0 via a capacitor (1uF). This value regulates the absolute maximum rating of the CREG1 pin. Do not applied direct voltage to this pin.
- Note 2.** Connect the REGC pin to GND1 via a capacitor (0.47 to 1uF). This value regulates the absolute maximum rating of the REGC pin. Do not applied direct voltage to this pin.
- Note 3.** Connect the CREG2 pin to GND1 via a capacitor (2.2uF). This value regulates the absolute maximum rating of the CREG2 pin. Do not applied direct voltage to this pin.
- Note 4.** Must be 6.5V or lower.

Caution Product quality may degrade if the absolute maximum rating has been exceeded. The absolute maximum ratings are rated values where the product is on the verge of suffering physical damage, therefore the product must be used within conditions that ensure the absolute maximum ratings are not exceeded.

- Remark 1.** Unless specified otherwise, the characteristics of alternate-function pins are the same as those of the port pins.
- Remark 2.** GND (GND0, GND1): Reference voltage.

4.2 Power supply voltage condition

Parameter	Symbol	Conditions	MIN.	TYP.	MAX.	Unit
Power supply	VCC, VBAT		4.0	-	25.0	V
	GND0, GND1		-	0.0	-	V

4.3 Supply current characteristics

(TA = -20 to +85C, 4.0V ≤ VCC ≤ 25V, CREG2 = 3.3V, GND0 = GND1 = 0V)

Parameter	Symbol	Conditions	MIN.	TYP. ^{Note2}	MAX.	Unit
Power down mode current ^{Note 1}	ICC3	VCC≤14V AFE: Power down mode	-	(0.5)	1.0	uA
Sleep mode current ^{Note 1}	ICC2	TA=25C MCU operation mode: STOP mode AOCO = ON CD = ALL ON, AFE timer = ON, AFE WDT = ON, CFOUT = H, DFOUT = H, ADC = OFF, CC = OFF	-	(150)	-	uA
Normal mode current ^{Note 1}	ICC1	MCU operation mode: LS (Low-Speed main) mode, fHOCO=8MHz, fIH=8MHz AOCO = ON CD = ALL ON, AFE Timer = ON, AFE WDT = ON, CFOUT = H, DFOUT = H, ADC = ON, CC = ON	-	(2.0)	-	mA

Note 1. This is the current which flows in VCC pin.

Note 2. Temperature condition of the TYP. value is TA=25 C.

Caution After trimming.

Remark 1. AOCO: AFE On-chip oscillator, CD: Overcurrent detection circuit, ADC: A/D converter circuit, CC: Current integrating circuit

Remark 2. fHOCO: high-speed on-chip oscillator clock frequency (32 MHz max.)

Remark 3. fIH: high-speed on-chip oscillator clock frequency (32 MHz max.)

Remark 4. The numerical value in a parenthesis is a reference value.

4.4 Oscillator Characteristics

4.4.1 MCU On-chip oscillator characteristics

(TA = -20 to +85C, 4.0V ≤ VCC ≤ 25V, CREG2 = 3.3V, GND0 = GND1 = 0V)

Parameter	Symbol	Conditions	MIN.	TYP.	MAX.	Unit
High-speed on-chip oscillator clock frequency ^{Note}	f _{IH}		-	8	-	MHz
Low-speed on-chip oscillator clock frequency	f _{IL}		-	15	-	kHz

Note High-speed on-chip oscillator frequency is selected with bits 0 to 4 of the option byte (000C2H) and bits 0 to 2 of the HOCODIV register.

4.4.2 AFE On-chip oscillator characteristics

(TA = -20 to +85C, 4.0V ≤ VCC ≤ 25V, CREG2 = 3.3V, GND0 = GND1 = 0V)

Parameter	Symbol	Conditions	MIN.	TYP.	MAX.	Unit
AFE on-chip oscillator clock frequency ^{Note}	f _{AOCO}		-	4.194	-	MHz
AFE on-chip oscillator clock frequency accuracy			-2	-	+2	%

Note This value is when it writes trimming data stored in flash memory to the OCOTRIM0 to OCOTRIM2 register.

Caution After trimming.

4.5 Pin characteristics

(1/3)

(TA = -20 to +85°C, 4.0V ≤ VCC ≤ 25V, CREG2=3.3V, GND0 = GND1 = 0V)

Parameter	Symbol	Conditions	MIN.	TYP.	MAX.	Unit
Output current, high ^{Note 1}	I _{OH}	Per pin for P10 to P12, P16, P17, P40			-10.0 ^{Note 2}	mA
		Total of P10 to P12, P16, P17 (When duty ≤ 70% ^{Note 3})			-19.0	mA
		Total of all pins (When duty ≤ 70% ^{Note 3})			-135.0	mA

Note 1. Value of current at which the device operation is guaranteed even if the current flows from the CREG2 pin to an output pin.

Note 2. Do not exceed the total current value.

Note 3. Specification under conditions where duty factor ≤ 70%.

The output current value that has changed to the duty factor > 70% the duty ratio can be calculated with the following expression (when changing the duty factor from 70% to n%).

- Total output current from pins = $(I_{OH} \times 0.7)/(n \times 0.01)$

<Example> Where n = 80% and I_{OH} = -10.0 mA

$$\text{Total output current from pins} = (-10.0 \times 0.7)/(80 \times 0.01) \approx -8.7 \text{ mA}$$

However, the allowable current flow into one pin does not change with the duty factor.

A current higher than the absolute maximum rating must not flow into any one pin.

Caution P10 to P12, P16 and P17 do not output high level in N-ch open-drain mode.

Remark Unless specified otherwise, the characteristics of alternate-function pins are the same as those of the port pins.

(TA = -20 to +85C, 4.0V ≤ VCC ≤ 25V, CREG2=3.3V, GND0 = GND1 = 0V)

Parameter	Symbol	Conditions	MIN.	TYP.	MAX.	Unit
Output current, low ^{Note 1}	IOL	Per pin for P10 to P12, P16, P17, P40			20.0 ^{Note 2}	mA
		Per pin for P60, P61			15.0 ^{Note 2}	mA
		Total of P10 to P12, P16, P17, P60, P61 (When duty ≤ 70% ^{Note 3})			35.0	mA
		Total of all pins (When duty ≤ 70% ^{Note 3})			150	mA

Note 1. Value of current at which the device operation is guaranteed even if the current flows from an output pin to the GND pins.

Note 2. Do not exceed the total current value.

Note 3. Specification under conditions where the duty factor ≤ 70%.

The output current value that has changed to the duty factor > 70% the duty ratio can be calculated with the following expression (when changing the duty factor from 70% to n%).

$$\bullet \text{ Total output current of pins} = (IOL \times 0.7)/(n \times 0.01)$$

<Example> Where n = 80% and IOL = 10.0 mA

$$\text{Total output current of pins} = (10.0 \times 0.7)/(80 \times 0.01) \approx 8.7 \text{ mA}$$

However, the allowable current flow into one pin does not change with the duty factor.

A current higher than the absolute maximum rating must not flow into any one pin.

Remark Unless specified otherwise, the characteristics of alternate-function pins are the same as those of the port pins.

(TA = -20 to +85C, 4.0V ≤ VCC ≤ 25V, CREG2=3.3V, GND0 = GND1 = 0V)

Parameter	Symbol	Conditions	MIN.	TYP.	MAX.	Unit	
Input voltage, high	V _{IH1}	P10 to P12, P16, P17, P122, P137, P40/TOOL0, RESET ^{Note1} (normal input buffer)	0.8 CREG2		CREG2	V	
	V _{IH2}	SCL(P60), SDA(P61)	2.1		CREG2	V	
	V _{IH4}	FUSEOUT	2		VCC	V	
	V _{IH5}	P10, P16, P17 (TTL Input buffer)	2		CREG2	V	
Input voltage, low	V _{IL1}	P10 to P12, P16, P17, P122, P137, P40/TOOL0, RESET ^{Note1} (normal input buffer)	0		0.2 CREG2	V	
	V _{IL2}	SCL(P60), SDA(P61)	0		0.8	V	
	V _{IL4}	FUSEOUT	0		0.5	V	
	V _{IL5}	P10, P16, P17 (TTL Input buffer)	0		0.5	V	
Output voltage High	V _{OH1}	P10 to P12, P16, P17, P40 ^{Note2}	IOH = -1.5mA	CREG2 - 0.5	-	CREG2	V
Output voltage Low	V _{OL1}	P10 to P12, P16, P17, P40 ^{Note2}	IOL = 1.5mA	-	-	0.4	V
	V _{OL2}	SCL(P60), SDA(P61)	IOL = 3.0 mA	-	-	0.4	V
FUSEOUT Output High Voltage	V _{OH-FUSE}	External Pulldown 100 kΩ		VCC - 0.5	-	-	V
Input leak current High	I _{LIH1}	P10 to P12, P16, P17, P40, P122, P137, P40/TOOL0, RESET	VI = CREG2	-	-	1	μA
Input leak current Low	I _{LIL1}	P10 to P12, P16, P17, P40, P122, P137, P40/TOOL0, RESET	VI = GND1	-	-	-1	μA
Pull-up resistor	R _U	P10 to P12, P16, P17, P40	VI = GND1, When input port	10	20	100	kΩ
	R _{UA}	AN0, AN1, AN2	VI = GND1	7.5	(10)	12.5	kΩ
	R _{UAR}	RESET	VI = GND1	-	(20)	-	kΩ

Note 1. The maximum value of V_{IH} of pins P10, P11 and P17 are CREG2, even in N-ch open drain mode.

Note 2. P10, P11 and P17 do not output a high-level in N-ch open drain mode.

Remark 1. Unless specified, the characteristics of alternate-function pins are the same as those of the port pins.

Remark 2. Regarding pin characteristics of CFOUT, DFOUT, refer to Section 4.8.5 Charge/discharge FET control circuit characteristics.

Remark 3. Regarding pin characteristics of VIN1 to VIN5 refer to Section 4.8.1 Multiplexer characteristics.

Remark 4. The parenthetical values are for reference.

4.6 AC Characteristics

(1/2)

(TA = -20 to +85C, 4.0V ≤ VCC ≤ 25V, CREG2=3.3V, GND0 = GND1 = 0V)

Parameter	Symbol	Conditions		MIN.	TYP.	MAX.	Unit
Instruction cycle (minimum instruction execution time)	T _{cy}	Main system clock (f _{MAIN}) operation	HS (high-speed main) mode	0.03125		1	us
			LS (low-speed main) mode	0.125		1	us
			LV (low-voltage main) mode	0.25		1	us
		In the self-programming mode	HS (high-speed main) mode	0.03125		1	us
			LS (low-speed main) mode	0.125		1	us
			LV (low-voltage main) mode	0.25		1	us

Remark f_{MCK}: Timer array unit operation clock frequency

(Operation clock to be set by the CKSmn bit of timer mode register mn (TMRmn). m: Unit number (m = 0),

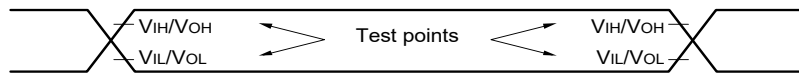
n: Channel number (n = 0 to 3))

(2/2)

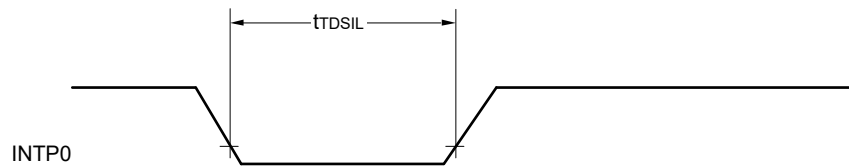
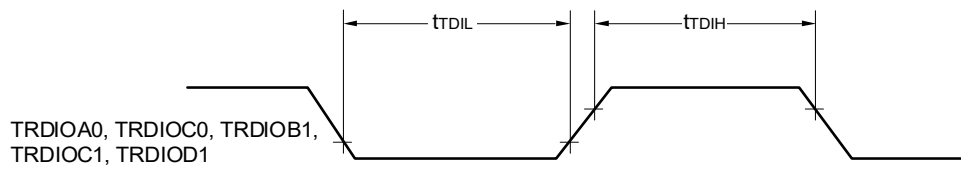
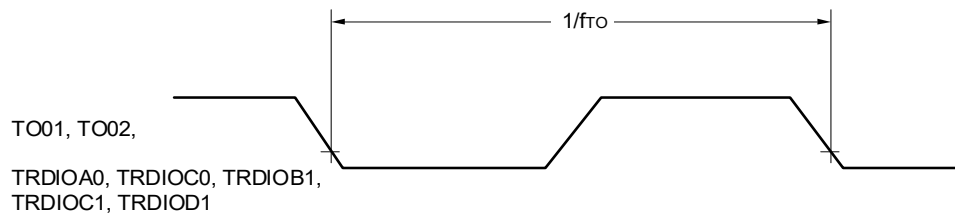
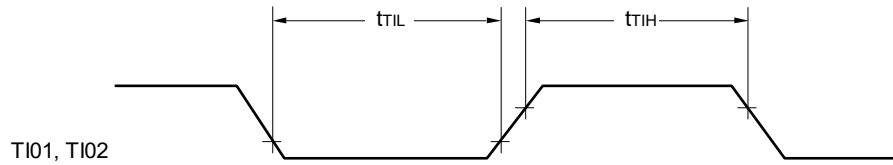
(TA = -20 to +85C, 4.0V ≤ VCC ≤ 25V, CREG2=3.3V, GND0 = GND1 = 0V)

Parameter	Symbol	Conditions	MIN.	TYP.	MAX.	Unit
Timer RD input high-level width, low-level width	t _{TDIH} , t _{TDIL}	TRDIOA0, TRDIOC0, TRDIOB1, TRDIOC1, TRDIOD1	3/f _{CLK}			ns
TRDIOA0, TRDIOC0, TRDIOB1, TRDIOC1, TRDIOD1 output frequency	f _{ro}	HS (high-speed main) mode			8	MHz
		LS (low-speed main) mode			4	MHz
		LV(low-voltage main) mode			2	MHz
Interrupt input high-level width, low-level width	t _{INTH} , t _{INTL}	INTP0, INTP5	1			us
RESET low-level width	t _{RSL}		10			us

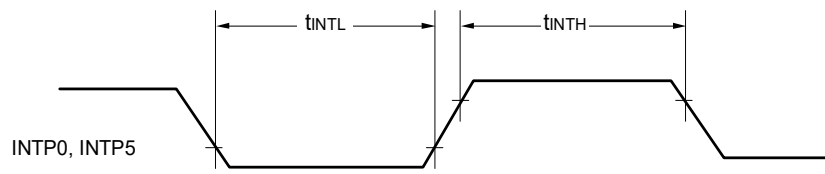
AC Timing Test Points



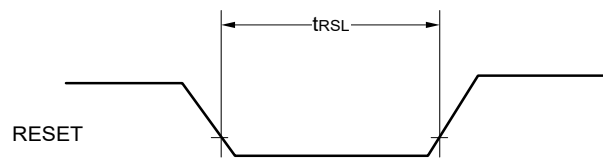
TI/TO Timing



Interrupt Request Input Timing

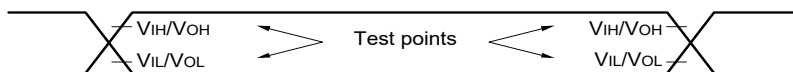


RESET Input Timing



4.7 MCU peripheral circuit characteristics

AC Timing Test Points



4.7.1 Serial array unit

(1) During communication at same potential (UART mode)

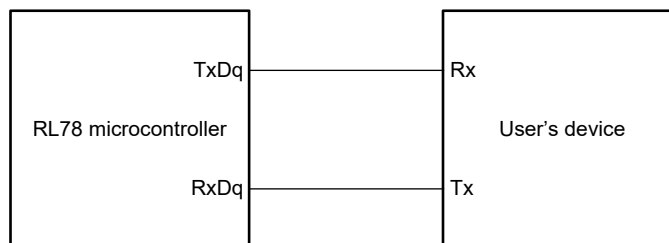
($T_A = -20$ to $+85^\circ\text{C}$, $4.0\text{V} \leq V_{CC} \leq 25\text{V}$, $C_{REG2}=3.3\text{V}$, $GND0 = GND1 = 0\text{V}$)

Parameter	Symbol	Conditions	HS (high-speed main) mode		LS (low-speed main) mode		LV (low-voltage main) mode		Unit
			MIN.	MAX.	MIN.	MAX.	MIN.	MAX.	
Transfer rate <i>Note 1</i>				$f_{MCK}/6$		$f_{MCK}/6$		$f_{MCK}/6$	bps
		Theoretical value of the maximum transfer rate $f_{MCK} = f_{CLK}$ <i>Note 2</i>		5.3		1.3		0.6	Mbps

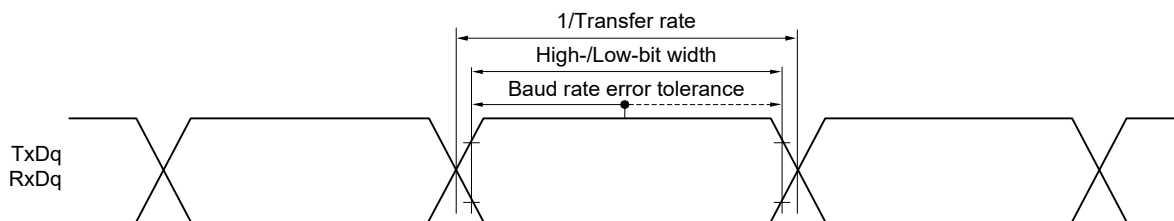
Note 1. Transfer rate in the SNOOZE mode is 4800 bps only.

Note 2. The maximum operating frequencies of the CPU/peripheral hardware clock (f_{CLK}) are:
 HS mode: 32MHz, LS mode: 8MHz, LV mode: 4MHz

Caution Select the normal input buffer for the RxDq pin and the normal output mode for the TxDq pin by using port input mode register g (PIMg) and port output mode register g (POMg).



UART mode connection diagram (during communication at same potential)



UART mode bit width (during communication at same potential) (reference)

Remark 1. q: UART number (q = 0), g: PIM and POM number (g = 1)

Remark 2. fck: Serial array unit operation clock frequency

Operation clock to be set by the CKSmn bit of serial mode register mn (SMRmn). m: Unit number,
 n: Channel number (mn = 00 to 03)

(2) During communication at same potential (CSI mode) (master mode, SCKp... internal clock output)

(TA = -20 to +85°C, 4.0V ≤ VCC ≤ 25V, CREG2=3.3V, GND0 = GND1 = 0V)

Parameter	Symbol	Conditions	HS (high-speed main) mode		LS (low-speed main) mode		LV (low-voltage main) mode		Unit
			MIN.	MAX.	MIN.	MAX.	MIN.	MAX.	
SCKp cycle time	t _{KCY1}	t _{KCY1} ≥ 4/f _{CLK}	125		500		1000		ns
SCKp high-/low-level width	t _{KH1} , t _{KL1}		t _{KCY1} /2 - 18		t _{KCY1} /2 - 50		t _{KCY1} /2 - 50		ns
Slp setup time (to SCKp↑) ^{Note 1}	t _{SIK1}		44		110		110		ns
Slp hold time (from SCKp↑) ^{Note 2}	t _{KSI1}		19		19		19		ns
Delay time from SCKp↓ to SOp output ^{Note 3}	t _{KSO1}	C = 30 pF ^{Note 4}		25		25		25	ns

Note 1. When DAP_{mn} = 0 and CKP_{mn} = 0, or DAP_{mn} = 1 and CKP_{mn} = 1.

The Slp setup time becomes "to SCKp↓" when DAP_{mn} = 0 and CKP_{mn} = 1, or DAP_{mn} = 1 and CKP_{mn} = 0.

Note 2. When DAP_{mn} = 0 and CKP_{mn} = 0, or DAP_{mn} = 1 and CKP_{mn} = 1.

The Slp hold time becomes "from SCKp↓" when DAP_{mn} = 0 and CKP_{mn} = 1, or DAP_{mn} = 1 and CKP_{mn} = 0.

Note 3. When DAP_{mn} = 0 and CKP_{mn} = 0, or DAP_{mn} = 1 and CKP_{mn} = 1.

The delay time to SOp output becomes "from SCKp↑" when DAP_{mn} = 0 and CKP_{mn} = 1, or DAP_{mn} = 1 and CKP_{mn} = 0.

Note 4. C is the load capacitance of the SCKp and SOp output lines.

Caution Select the normal input buffer for the SIp pin and the normal output mode for the SOp pin and SCKp pin by using port input mode register g (PIMg) and port output mode register g (POMg).

Remark 1. p: CSI number (p = 11), m: Unit number (m = 0), n: Channel number (n = 3), g: PIM number (g = 1)

Remark 2. f_{MCK}: Serial array unit operation clock frequency (Operation clock to be set by the CKS_{mn} bit of serial mode register mn (SMR_{mn}).
m: Unit number, n: Channel number (mn = 03)

(3) During communication at same potential (CSI mode) (slave mode, SCKp... external clock input)

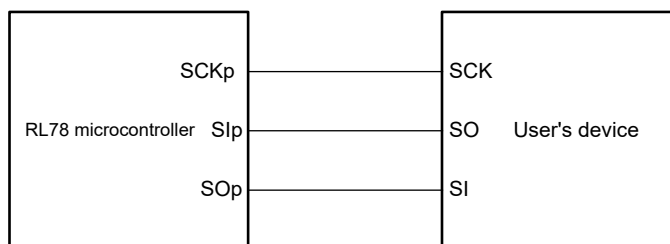
(TA = -20 to +85C, 4.0V ≤ VCC ≤ 25V, CREG2=3.3V, GND0 = GND1 = 0V)

Parameter	Symbol	Conditions	HS (high-speed main) mode		LS (low-speed main) mode		LV (low-voltage main) mode		Unit
			MIN.	MAX.	MIN.	MAX.	MIN.	MAX.	
SCKp cycle time <i>Note 5</i>	tKCY2	1 MHz < fMCK	8/fMCK		—		—		ns
		fMCK ≤ 16MHz	6/fMCK		6/fMCK		6/fMCK		ns
SCKp high-/low-level width	tKH2, tKL2		tKCY2/2 - 8		tKCY2/2 - 8		tKCY2/2 - 8		ns
Slp setup time (to SCKp↑) <i>Note 1</i>	tSIK2		1/fMCK + 20		1/fMCK + 30		1/fMCK + 30		ns
Slp hold time (from SCKp↑) <i>Note 2</i>	tKSI2		1/fMCK + 31		1/fMCK + 31		1/fMCK + 31		ns
Delay time from SCKp↓ to SOp output <i>Note 3</i>	tKSO2	C = 30pF <i>Note 4</i>		2/fMCK + 44		2/fMCK + 110		2/fMCK + 110	ns

- Note 1.** When DAPmn = 0 and CKPmn = 0, or DAPmn = 1 and CKPmn = 1.
The Slp setup time becomes “to SCKp↓” when DAPmn = 0 and CKPmn = 1, or DAPmn = 1 and CKPmn = 0.
- Note 2.** When DAPmn = 0 and CKPmn = 0, or DAPmn = 1 and CKPmn = 1.
The Slp hold time becomes “from SCKp↓” when DAPmn = 0 and CKPmn = 1, or DAPmn = 1 and CKPmn = 0.
- Note 3.** When DAPmn = 0 and CKPmn = 0, or DAPmn = 1 and CKPmn = 1.
The delay time to SOp output becomes “from SCKp↑” when DAPmn = 0 and CKPmn = 1, or DAPmn = 1 and CKPmn = 0.
- Note 4.** C is the load capacitance of the SCKp and SOp output lines.
- Note 5.** The maximum transfer rate when using the SNOOZE mode is 1 Mbps.

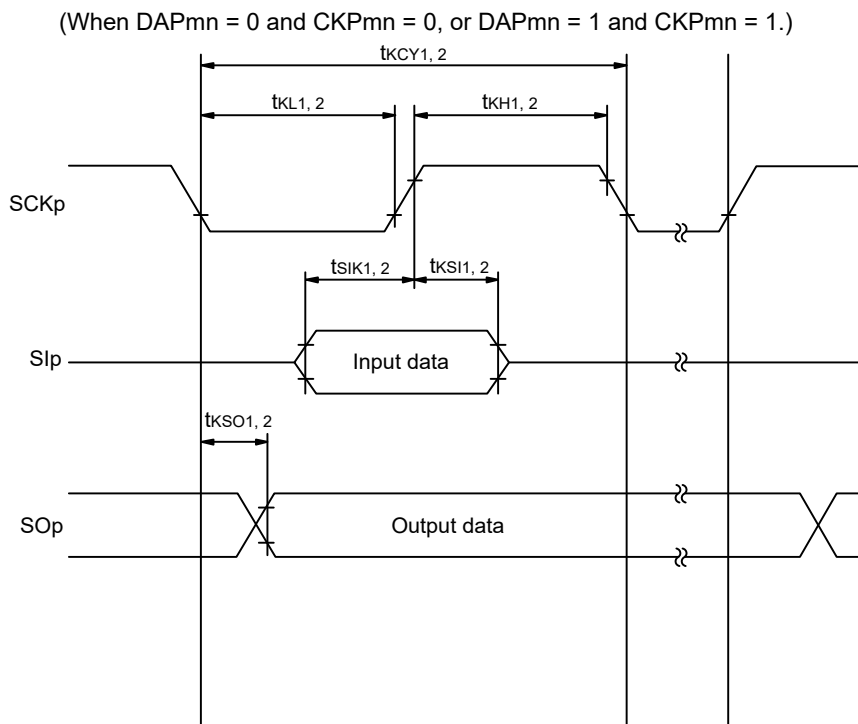
Caution Select the normal input buffer for the Slp pin and the normal output mode for the SOp pin and SCKp pin by using port input mode register g (PIMg) and port output mode register g (POMg).

- Remark 1.** p: CSI number (p = 11), m: Unit number (m = 0), n: Channel number (n = 3), g: PIM number (g = 1)
- Remark 2.** fMCK: Serial array unit operation clock frequency (Operation clock to be set by the CKSmn bit of serial mode register mn (SMRmn).
m: Unit number, n: Channel number (mn = 03)

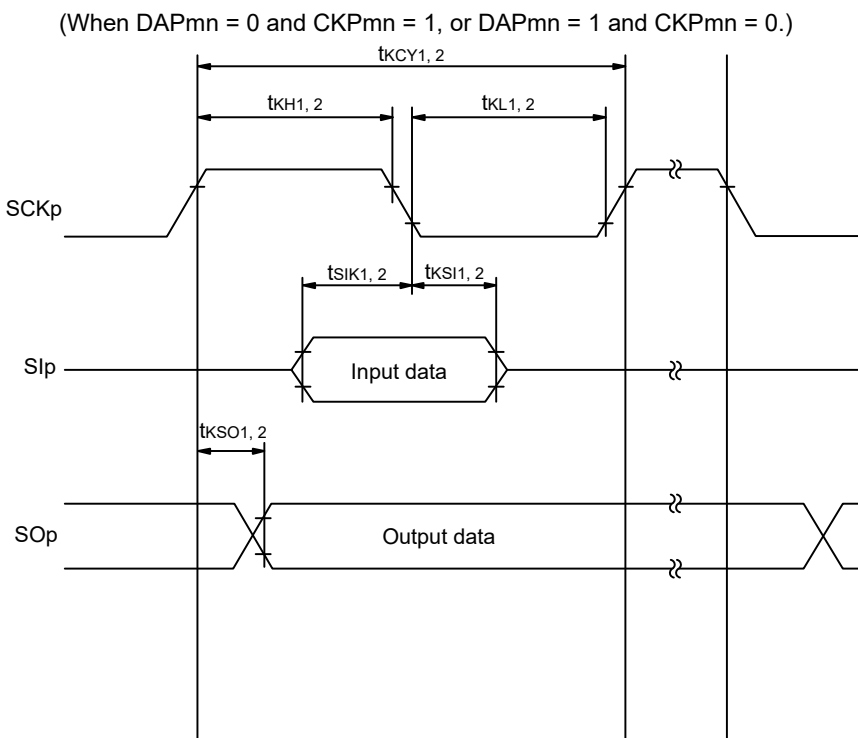


CSI mode connection diagram (during communication at same potential)

- Remark 1.** p: CSI number (p = 11)
- Remark 2.** m: Unit number, n: Channel number (mn = 03)



CSI mode serial transfer timing (during communication at same potential)



CSI mode serial transfer timing (during communication at same potential)

Remark 1. p: CSI number (p = 11)

Remark 2. m: Unit number, n: Channel number (mn = 03)

(4) During communication at same potential (simplified I²C mode)

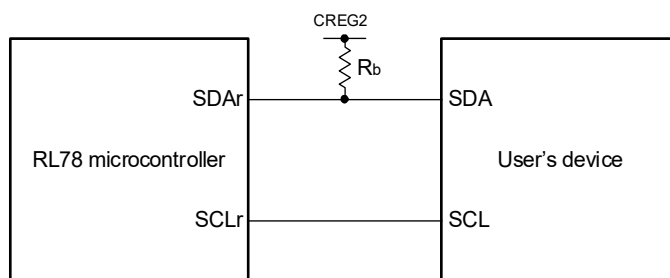
(TA = -20 to +85C, 4.0V ≤ VCC ≤ 25V, CREG2=3.3V, GND0 = GND1 = 0V)

Parameter	Symbol	Conditions	HS (high-speed main) mode		LS (low-speed main) mode		LV (low-voltage main) mode		Unit
			MIN.	MAX.	MIN.	MAX.	MIN.	MAX.	
SCLr clock frequency	f _{SCL}	C _b = 50pF, R _b = 2.7kΩ		1000 ^{Note 1}		400 ^{Note 1}		400 ^{Note1}	kHz
Hold time when SCLr = "L"	t _{LOW}	C _b = 50pF, R _b = 2.7kΩ	475		1150		1150		ns
Hold time when SCLr = "H"	t _{HIGH}	C _b = 50pF, R _b = 2.7kΩ	475		1150		1150		ns
Data setup time (reception)	t _{SU: DAT}	C _b = 50pF, R _b = 2.7kΩ	1/f _{MCK} + 85 ^{Note 2}		1/f _{MCK} + 145 ^{Note 2}		1/f _{MCK} + 145 ^{Note2}		ns
Data hold time (transmission)	t _{HD: DAT}	C _b = 50pF, R _b = 2.7kΩ	0	305	0	305	0	305	ns

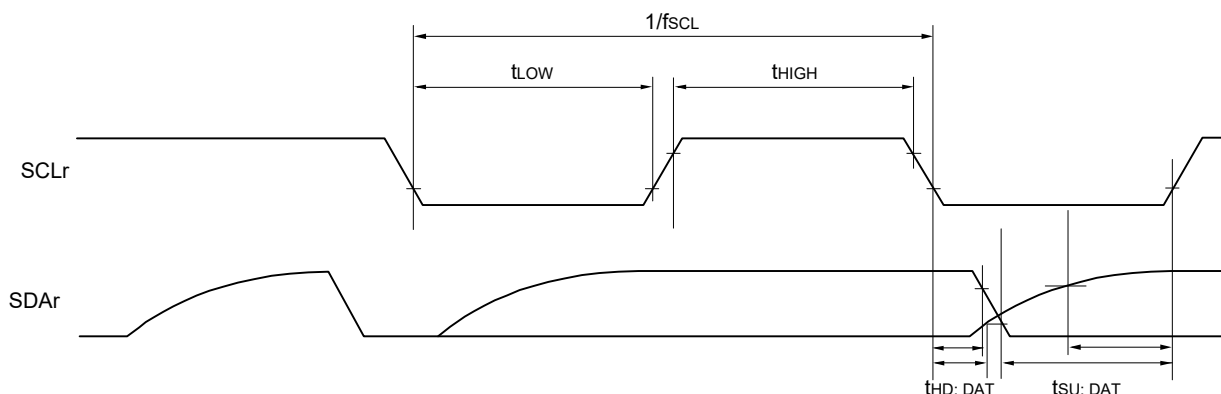
Note 1. The value must also be equal to or less than f_{MCK}/4.

Note 2. Set the f_{MCK} value not to over the hold time of SCLr = "L" and SCLr = "H".

Caution Select the normal input buffer and the N-ch open drain output (CREG2 tolerance) mode for the SDAr pin and the normal output mode for the SCLr pin by using port input mode register g (PIMg) and port output mode register h (POMh).



Simplified I²C mode connection diagram (during communication at same potential)



Simplified I²C mode serial transfer timing (during communication at same potential)

Remark 1. R_b[Ω]: Communication line (SDAr) pull-up resistance, C_b[F]: Communication line (SDAr, SCLr) load capacitance

Remark 2. r: IIC number (r = 11), g: PIM, POM number (g = 1)

Remark 3. f_{MCK}: Serial array unit operation clock frequency (Operation clock to be set by the CKSmn bit of serial mode register mn (SMRmn).
m: Unit number, n: Channel number (mn = 03)

4.7.2 Serial interface IICA

(1) I²C standard mode

(TA = -20 to +85C, 4.0V ≤ VCC ≤ 25V, CREG2=3.3V, GND0 = GND1 = 0V)

Parameter	Symbol	Conditions	HS (high-speed main) mode		LS (low-speed main) mode		LV (low-voltage main) mode		Unit
			MIN.	MAX.	MIN.	MAX.	MIN.	MAX.	
SCLA0 clock frequency	fSCL	Standard mode: fCLK ≥ 1MHz	0	100	0	100	0	100	kHz
Setup time of restart condition	tsu: STA		4.7		4.7		4.7		us
Hold time ^{Note 1}	tHD: STA		4.0		4.0		4.0		us
Hold time when SCLA0 = "L"	tLOW		4.7		4.7		4.7		us
Hold time when SCLA0 = "H"	tHIGH		4.0		4.0		4.0		us
Data setup time (reception)	tsu: DAT		250		250		250		ns
Data hold time (transmission) ^{Note 2}	tHD: DAT		0	3.45	0	3.45	0	3.45	us
Setup time of stop condition	tsu: STO		4.0		4.0		4.0		us
Bus-free time	tBUF		4.7		4.7		4.7		us

Note 1. The first clock pulse is generated after this period when the start/restart condition is detected.

Note 2. The maximum value (MAX.) of tHD: DAT is during normal transfer and a wait state is inserted in the ACK (acknowledge) timing.

Caution The values in the above table are applied even when bit 2 (PIOR02) in the peripheral I/O redirection register 0 (PIOR0) is 1. At this time, the pin characteristics (I_{OH1}, I_{OL1}, V_{OH1}, V_{OL1}) must satisfy the values in the redirect destination.

Remark The maximum value of C_b (communication line capacitance) and the value of R_b (communication line pull-up resistor) at that time in each mode are as follows.

Standard mode: C_b = 400pF, R_b = 2.7kΩ

(2) I²C fast mode

(TA = -20 to +85C, 4.0V ≤ VCC ≤ 25V, CREG2=3.3V, GND0 = GND1 = 0V)

Parameter	Symbol	Conditions	HS (high-speed main) mode		LS (low-speed main) mode		LV (low-voltage main) mode		Unit
			MIN.	MAX.	MIN.	MAX.	MIN.	MAX.	
SCLA0 clock frequency	fSCL	Fast mode: fCLK ≥ 3.5 MHz	0	400	0	400	0	400	kHz
Setup time of restart condition	tSU: STA		0.6		0.6		0.6		us
Hold time ^{Note 1}	tHD: STA		0.6		0.6		0.6		us
Hold time when SCLA0 = "L"	tLOW		1.3		1.3		1.3		us
Hold time when SCLA0 = "H"	tHIGH		0.6		0.6		0.6		us
Data setup time (reception)	tSU: DAT		100		100		100		ns
Data hold time (transmission) ^{Note 2}	tHD: DAT		0	0.9	0	0.9	0	0.9	us
Setup time of stop condition	tSU: STO		0.6		0.6		0.6		us
Bus-free time	tBUF		1.3		1.3		1.3		us

Note 1. The first clock pulse is generated after this period when the start/restart condition is detected.

Note 2. The maximum value (MAX.) of tHD: DAT is during normal transfer and a wait state is inserted in the ACK (acknowledge) timing.

Caution The values in the above table are applied even when bit 2 (PIOR02) in the peripheral I/O redirection register 0 (PIOR0) is 1. At this time, the pin characteristics (I_{OH1}, I_{OL1}, V_{OH1}, V_{OL1}) must satisfy the values in the redirect destination.

Remark The maximum value of C_b (communication line capacitance) and the value of R_b (communication line pull-up resistor) at that time in each mode are as follows.

Fast mode: C_b = 320pF, R_b = 1.1kΩ

(3) I²C fast mode plus

(TA = -20 to +85C, 4.0V ≤ VCC ≤ 25V, CREG2=3.3V, GND0 = GND1 = 0V)

Parameter	Symbol	Conditions	HS (high-speed main) mode		LS (low-speed main) mode		LV (low-voltage main) mode		Unit
			MIN.	MAX.	MIN.	MAX.	MIN.	MAX.	
SCLA0 clock frequency	fSCL	Fast mode plus: fCLK ≥ 10 MHz	0	1000					kHz
Setup time of restart condition	tSU: STA		0.26						us
Hold time ^{Note 1}	tHD: STA		0.26						us
Hold time when SCLA0 = "L"	tLOW		0.5						us
Hold time when SCLA0 = "H"	tHIGH		0.26						us
Data setup time (reception)	tSU: DAT		50						ns
Data hold time (transmission) ^{Note 2}	tHD: DAT		0	0.45					us
Setup time of stop condition	tSU: STO		0.26						us
Bus-free time	tBUF		0.5						us

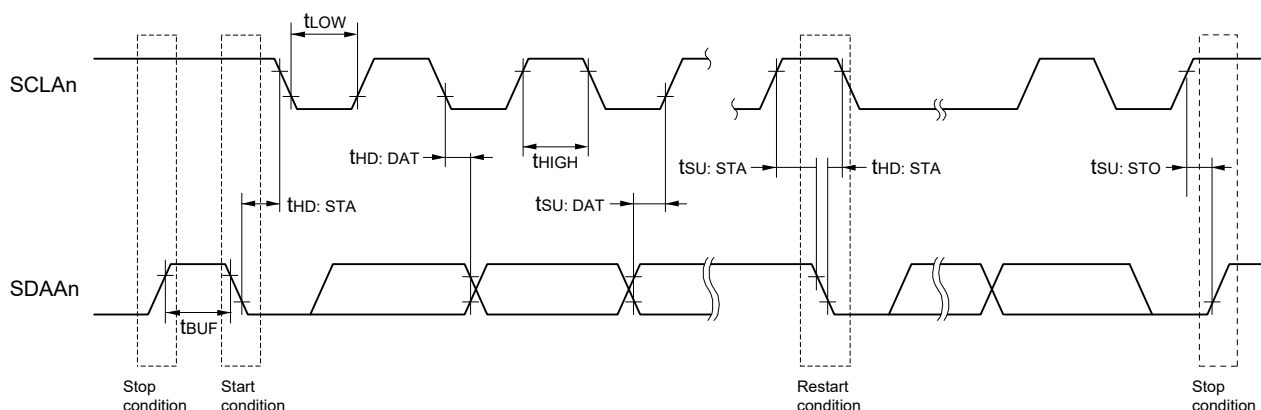
Note 1. The first clock pulse is generated after this period when the start/restart condition is detected

Note 2. The maximum value (MAX.) of tHD: DAT is during normal transfer and a wait state is inserted in the ACK (acknowledge) timing.

Caution The values in the above table are applied even when bit 2 (PIOR02) in the peripheral I/O redirection register 0 (PIOR0) is 1. At this time, the pin characteristics (I_{OH1}, I_{OL1}, V_{OH1}, V_{OL1}) must satisfy the values in the redirect destination.

Remark The maximum value of C_b (communication line capacitance) and the value of R_b (communication line pull-up resistor) at that time in each mode are as follows.

Fast mode plus: C_b = 120pF, R_b = 1.1kΩ



I²C serial transfer timing

Remark n = 0

4.7.3 Interrupt

(TA = -20 to +85C, 4.0V ≤ VCC ≤ 25V, CREG2=3.3V, GND0 = GND1 = 0V)

Item	Symbol	Conditions	MIN.	TYP.	MAX.	Unit
Interrupt input high-level width, low-level width	t _{INTH} , t _{INTL}	INTP0, INTP5	1	-	-	us

4.8 AFE peripheral circuit characteristics

4.8.1 Multiplexer characteristics

(TA = 25°C, 4.0V ≤ VCC ≤ 25V, CREG2=3.3V, GND0 = GND1 = 0V)

Parameter	Symbol	Conditions	MIN.	TYP.	MAX.	Unit
Offset voltage	Voff	VCC=VIN5≥2.0 V x (number of Battery cells)	-	(100)	-	mV
Gain VIN(n)-VIN(n-1)	GAIN1	VCC=VIN5≥2V x (number of series cells) VIN5,VIN4,VIN3,VIN2,VIN1>0V Note		(0.28)		V/V
Gain VIN12	GAIN2	VCC≥2V x (number of series cells)		(0.06)		V/V
Gain AN0,1,2	GAIN3			1.0		V/V
Input voltage range VIN(n)-VIN(n-1)	VRA1	VIN5,VIN4,VIN3,VIN2,VIN1>0V Note	0.0		5.0	V
Input voltage range VIN12	VRA2		0.0		25.0	V
Input voltage range VIN5	VRA3		0.0		25.0	V
Input voltage range AN0, 1, 2	VRA4		0.0		CREG1	V

Note Reference voltage is GND0 and GND1.

Remark Values in brackets are design value.

4.8.2 Sigma-delta A/D converter characteristics

(TA = -20 to +85C, 4.0V ≤ VCC ≤ 25V, CREG2=3.3V, CREG1=1.8V, GND0 = GND1 = 0V)

Parameter	Symbol	Conditions	MIN.	TYP.	MAX.	Unit
Resolution ^{Note1}	-	Conversion time = 8ms			15	bits
		Conversion time = 4ms			14	bits
		Conversion time = 2ms			13	bits
		Conversion time = 1ms			12	bits
Input voltage range	-		0		CREG1	V
Integral nonlinearity	-	Endfit	-16		16	LSB
Conversion result in zero input	-	VIN=GND0		3277 ^{Note 2}		LSB
Temperature dependency In zero input	-	VIN=GND0	-0.24		+0.24	LSB/C
Conversion result in full-scale input	-	VIN=CREG1		29492 ^{Note 2}		LSB
Temperature dependency in full-scale input	-	VIN=CREG1	-0.24		+0.24	LSB/C

Note 1. AD conversion result is output in 15-bit.

Note 2. This value is before subtracting the offset voltage and design value.

Caution Calibration is needed to keep high accuracy in system.

4.8.3 Current integrating circuit characteristics

(TA = -20 to +85C, 4.0V ≤ VCC ≤ 25V, CREG2=3.3V, CREG1=1.8V, GND0 = GND1 = 0V)

Parameter	Symbol	Conditions	MIN.	TYP.	MAX.	Unit
Resolution	-				18	bits
Conversion time	-	f1=4,194,304 Hz		(250)		ms
Input voltage range	-	ISENS1 to ISENS0	-100		+100	mV
Integral nonlinearity	-	Endfit			0.02	%FSR
Input resistance	IICC	ISENS0, ISENS1		(0.2)		uA

Caution Calibration is needed to keep high accuracy in system.

Remark Values in brackets are design value.

4.8.4 Overcurrent detection / wakeup current detection circuit characteristics

(TA = -20 to +85°C, 4.0V ≤ VCC ≤ 25V, CREG2=3.3V, CREG1=1.8V, GND0 = GND1 = 0V)

Parameter	Symbol	Conditions	MIN.	TYP.	MAX.	Unit
Discharge short-circuit current detection 1 setting voltage step	-	0.1V to 0.8V		0.1		V
Discharge short-circuit current detection 2 setting voltage step	-	25mV to 100mV		12.5		mV
		100mV to 250mV		25		mV
Discharge short-circuit current detection 1 voltage error	-	0.1V to 0.8V			±50	mV
Discharge short-circuit current detection 2 voltage error	-	25mV to 100mV setting			±12.5	mV
		125mV to 250mV setting			±25.0	mV
Discharge overcurrent detection setting voltage step	-	25mV to 50mV		2.5		mV
		50mV to 100mV		5		mV
Discharge overcurrent detection voltage error ^{Note 1}	-	25mV to 50mV setting			±10	mV
		55mV to 100mV setting			±25	mV
Charge overcurrent detection setting voltage step	-	-100mV to -25mV		12.5		mV
		-250mV to -100mV		25		mV
Charge overcurrent detection voltage error ^{Note 1}	-	-100mV to -25mV setting			±10	mV
		-250mV to -125mV setting			±25	mV
Discharge wakeup current detection setting voltage step	-	0mV to 145mV		2.5		mV
Charge wakeup current detection setting voltage step	-	-145mV to 0mV		2.5		mV
Discharge wakeup current detection voltage error ^{Note 1}	-	10 times mode 1A detection sense resistance 5mΩ	4.0	5.0	6.0	mV
Charge wakeup current detection voltage error ^{Note 1}	-	10 times mode -1A detection sense resistance 5mΩ	-6.0	-5.0	-4.0	mV
DBPT current detection voltage error ^{Note 1}	-	10 times mode 1A detection sense resistance 5mΩ	4.0	5.0	6.0	mV
Discharge short-circuit current detection 1 time error ^{Note 2}	-	0us to 427us (61us step)	0.0		30.5	us
Discharge short-circuit current detection 2 time error ^{Note 2}	-	0us to 915us (61us step)	0.0		30.5	us
Discharge overcurrent detection time error ^{Note 2}	-	0.916ms to 30.212ms (1.95ms step)	0.0		30.5	us
Charge overcurrent detection time error	-	0us to 915us (61us step)	0.0		30.5	us
Discharge wakeup current detection time error ^{Note 2}	-	-	58.6		62.5	ms
Charge wakeup current detection time error ^{Note 2}	-	-	58.6		62.5	ms
DBPT current detection time error ^{Note 2}	-	-	58.6		62.5	ms

Note 1. This is the specification after zero-calibration is executed.

Note 2. The frequency error of On-chip oscillator and the error due to the temperature characteristics of the detection circuit are excluded from these detection time error.

4.8.5 Charge/discharge FET control circuit characteristics

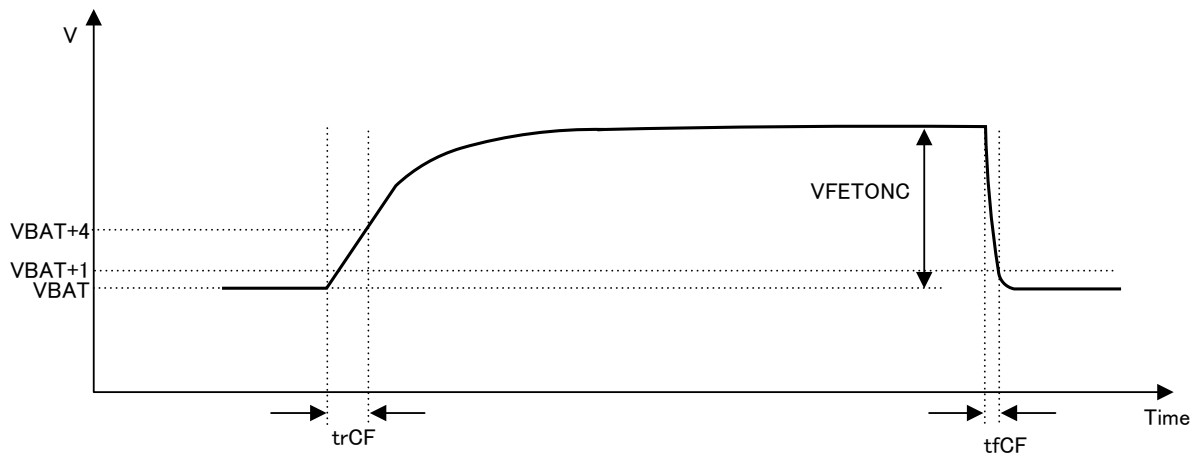
(TA = 25°C, 4.0V ≤ VCC ≤ 25V, CREG2=3.3V, GND0 = GND1 = 0V)

Parameter	Symbol	Conditions	MIN.	TYP.	MAX.	Unit
High-side Charge FET control Output voltage, CFOUT=H	VFETONC1	4.0V ≤ VCC < 6.0V Load between CFOUT to VBAT = 4700pF/10MΩ Based on VBAT pin	4.0	(7.0)	12.0	V
	VFETONC2	6.0V ≤ VCC Load between CFOUT to VBAT = 4700pF/10MΩ Based on VBAT pin	9.0	(10.0)	12.0	V
High-side Charge FET control Output voltage, CFOUT=L	VFETOFFC	Load between CFOUT to VBAT = 4700pF/10MΩ Based on VBAT pin, VBAT=14V	-	(0.0)	0.2	V
High-side Charge FET control CFOUT rise Time	trCF1	4.0V ≤ VCC < 6.0V Load between CFOUT to VBAT = 4700pF/10MΩ Lo(VBAT)→Hi(VBAT+4V)	-	(1.0)	3.0	ms
	trCF2	6.0V ≤ VCC Load between CFOUT to VBAT = 4700pF/10MΩ Lo(VBAT)→Hi(VBAT+4V)	-	(0.2)	0.6	ms
High-side Charge FET control CFOUT fall Time	tfCF	Load between CFOUT to VBAT = 4700pF/10MΩ Hi(VBAT+4V)→Lo(VBAT+1V)	-	(0.08)	0.2	ms
High-side Discharge FET control Output voltage, DFOUT=H	VFETOND1	4.0 ≤ VCC < 6.0V Load between DFOUT to VIN12 = 4700pF/10MΩ Based on VIN12 pin	4.0	(7.0)	12.0	V
	VFETOND2	6.0 ≤ VCC Load between DFOUT to VIN12 = 4700pF/10MΩ Based on VIN12 pin	9.0	(10.0)	12.0	V
High-side Discharge FET control Output voltage, DFOUT=L	VFETOFFD	Load between DFOUT to VIN12 = 4700pF/10MΩ Based on VIN12 pin	-	(0.0)	0.2	V
High-side Discharge FET control DFOUT rise Time	trDF1	4.0V ≤ VCC < 6.0V Load between DFOUT to VIN12 = 4700pF/10MΩ Lo(VIN12)→Hi(VIN12+4V)	-	(1.0)	3.0	ms
	trDF2	6.0V ≤ VCC Load between DFOUT to VIN12 = 4700pF/10MΩ Lo(VIN12)→Hi(VIN12+4V)	-	(0.2)	0.6	ms
High-side Discharge FET control DFOUT fall Time	tfDF	Load between DFOUT to VIN12 = 4700pF/10MΩ Hi(VIN12+4V)→Lo(VIN12) External constant of VIN12: C=0.01uF, R=10kΩ	-	(0.25)	0.4	ms

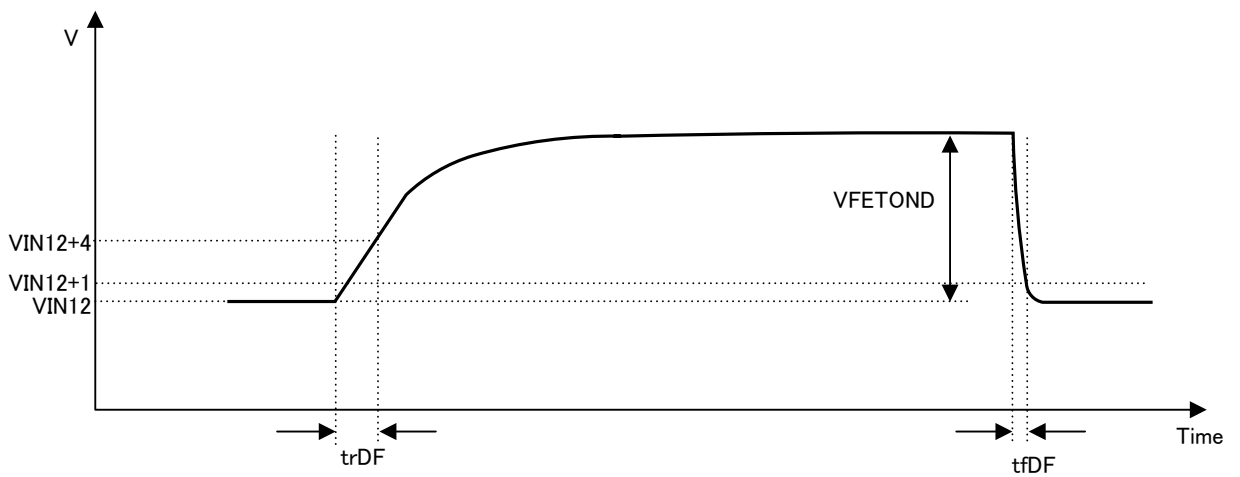
Caution After trimming.

Remark Values in brackets are design value.

CFOUT output timing characteristic



DFOUT output timing characteristic



4.8.6 Series regulator circuit characteristics

(TA = 25C, 4.0V ≤ VCC ≤ 25V, CREG2=3.3V, GND0 = GND1 = 0V)

Parameter	Symbol	Conditions	MIN.	TYP.	MAX.	Unit
CREG2 output voltage	Vreg2o	VCC=14V, Io=50uA after trimming	-	(3.3)	-	V
CREG2 Load drive capability ^{Note}	VR2d	4.0V ≤ VCC=VIN5, 3.0V ≤ CREG2	20.0	-	-	mA
CREG1 output voltage	Vreg1o	VCC=14V, Io=10uA after trimming	1.755	-	1.845	V

Note In case of using load drive, total power consumption must be under the maximum ratings power consumption (Pd).

Caution After trimming.

Remark Values in brackets are design value.

4.8.7 Cell balancing circuit characteristics

(TA = 25C, VCC=17.5V, CREG2=3.3V, GND0 = GND1 = 0V)

Parameter	Symbol	Conditions	MIN.	TYP.	MAX.	Unit
1st cell on resistance	RON1	VCC=VBAT=VIN5=17.5 V, VIN4=14V, VIN3=10.5 V, VIN2=7 V, VIN1=3.5 V, 1cell balancing SW: ON	-	(500)	-	Ω
2nd cell on resistance	RON2	VCC=VBAT=VIN5=17.5 V, VIN4=14V, VIN3=10.5 V, VIN2=7 V, VIN1=3.5 V, 2cell balancing SW: ON	-	(500)	-	Ω
3rd cell on resistance	RON3	VCC=VBAT=VIN5=17.5 V, VIN4=14V, VIN3=10.5 V, VIN2=7 V, VIN1=3.5 V, 3cell balancing SW: ON	-	(500)	-	Ω
4th cell on resistance	RON4	VCC=VBAT=VIN5=17.5 V, VIN4=14V, VIN3=10.5 V, VIN2=7 V, VIN1=3.5 V, 4cell balancing SW: ON	-	(500)	-	Ω
5th cell on resistance	RON5	VCC=VBAT=VIN5=17.5 V, VIN4=14V, VIN3=10.5 V, VIN2=7 V, VIN1=3.5 V, 5cell balancing SW: ON	-	(500)	-	Ω

Remark Values in brackets are design value.

4.9 Flash Memory Programming Characteristics

(TA = -20 to +85C, 4.0V ≤ VCC ≤ 25V, CREG2=3.3V, GND0 = GND1 = 0V)

Parameter	Symbol	Conditions	MIN.	TYP.	MAX.	Unit
System clock frequency	fCLK		1		32	MHz
Number of code flash rewrites ^{Note 1, 2, 3}	C _{erwr}	Retained for 20 years TA = 85 C	1,000			Times
Number of data flash rewrites ^{Note 1, 2, 3}		Retained for 1 year TA = 25 C		1,000,000		
		Retained for 5 years TA = 85 C	100,000			
		Retained for 20 years TA = 85 C	10,000			

Note 1. 1 erase + 1 write after the erase is regarded as 1 rewrite. The retained years are until next rewrite completion.

Note 2. When using flash memory programmer and Renesas Electronics self-programming library

Note 3. These are the characteristics of the flash memory and the results obtained from reliability testing by Renesas Electronics Corporation.

4.10 Dedicated Flash Memory Programmer Communication (UART)

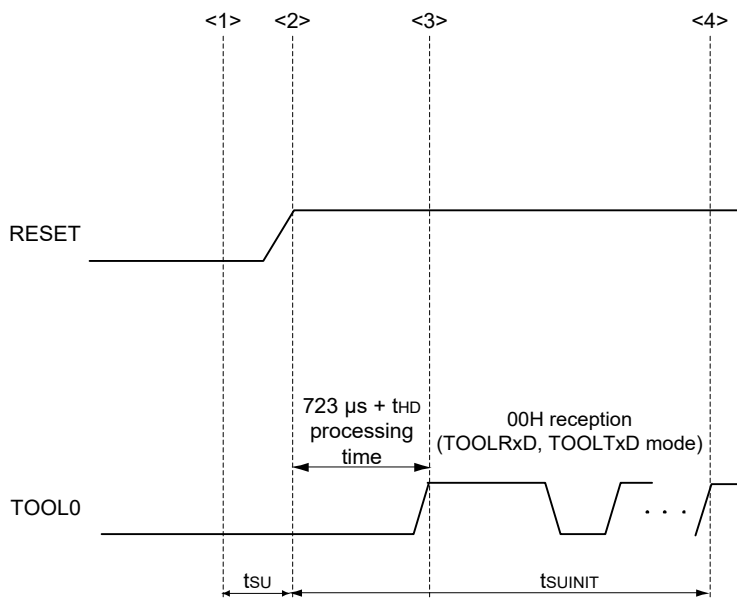
(TA = -20 to +85C, 4.0V ≤ VCC ≤ 25V, CREG2=3.3V, GND0 = GND1 = 0V)

Parameter	Symbol	Conditions	MIN.	TYP.	MAX.	Unit
Transfer rate		During serial programming	115,200		1,000,000	bps

4.11 Timing of Entry to Flash Memory Programming Modes

(TA = -20 to +85C, 4.0V ≤ VCC ≤ 25V, CREG2=3.3V, GND0 = GND1 = 0V)

Parameter	Symbol	Conditions	MIN.	TYP.	MAX.	Unit
The time needed when an external reset ends until the initial communication settings are specified	tSUINIT	POR and LVD reset must end before the external reset ends.			100	ms
The time needed from when the TOOL0 pin is placed at low level until an external reset ends	tsu	POR and LVD reset must end before the external reset ends.	10			us
The time needed for the TOOL0 pin must be kept at low level after an external reset ends (excluding the processing time of the firmware to control the flash memory)	tHD	POR and LVD reset must end before the external reset ends.	1			ms



- <1> The low level is input to the TOOL0 pin.
- <2> The external reset ends (POR and LVD reset must end before the external reset ends).
- <3> The TOOL0 pin is set to the high level.
- <4> Setting of the flash memory programming mode by UART reception and complete the baud rate setting.

Remark tSUINIT: The segment shows that it is necessary to finish specifying the initial communication settings within 100 ms from when the external resets end.

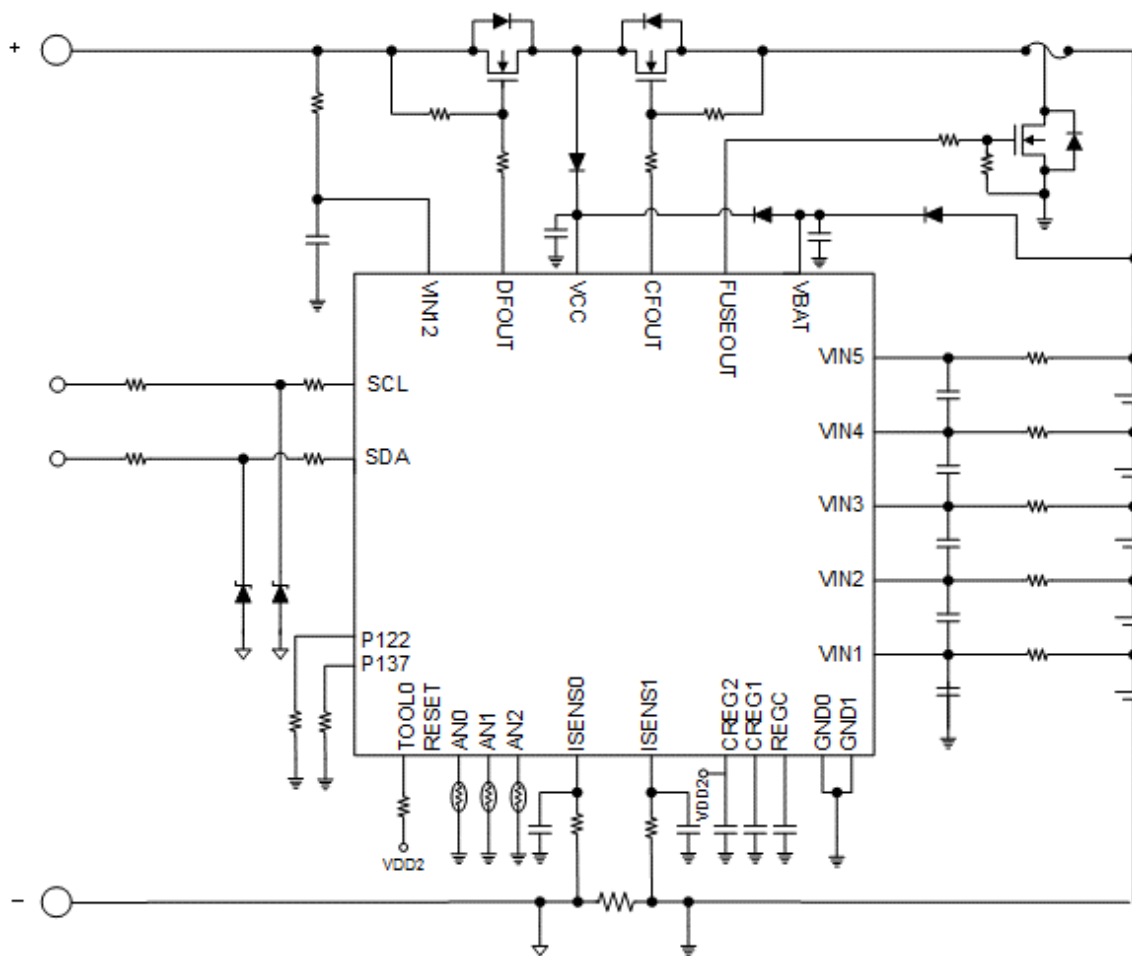
- tSU: Time needed for the TOOL0 pin is placed at low level until the pin reset ends
- tHD: Time needed for the TOOL0 pin at low level from when the external resets end (excluding the processing time of the firmware to control the flash memory)

5. Detailed description

5.1 Overview

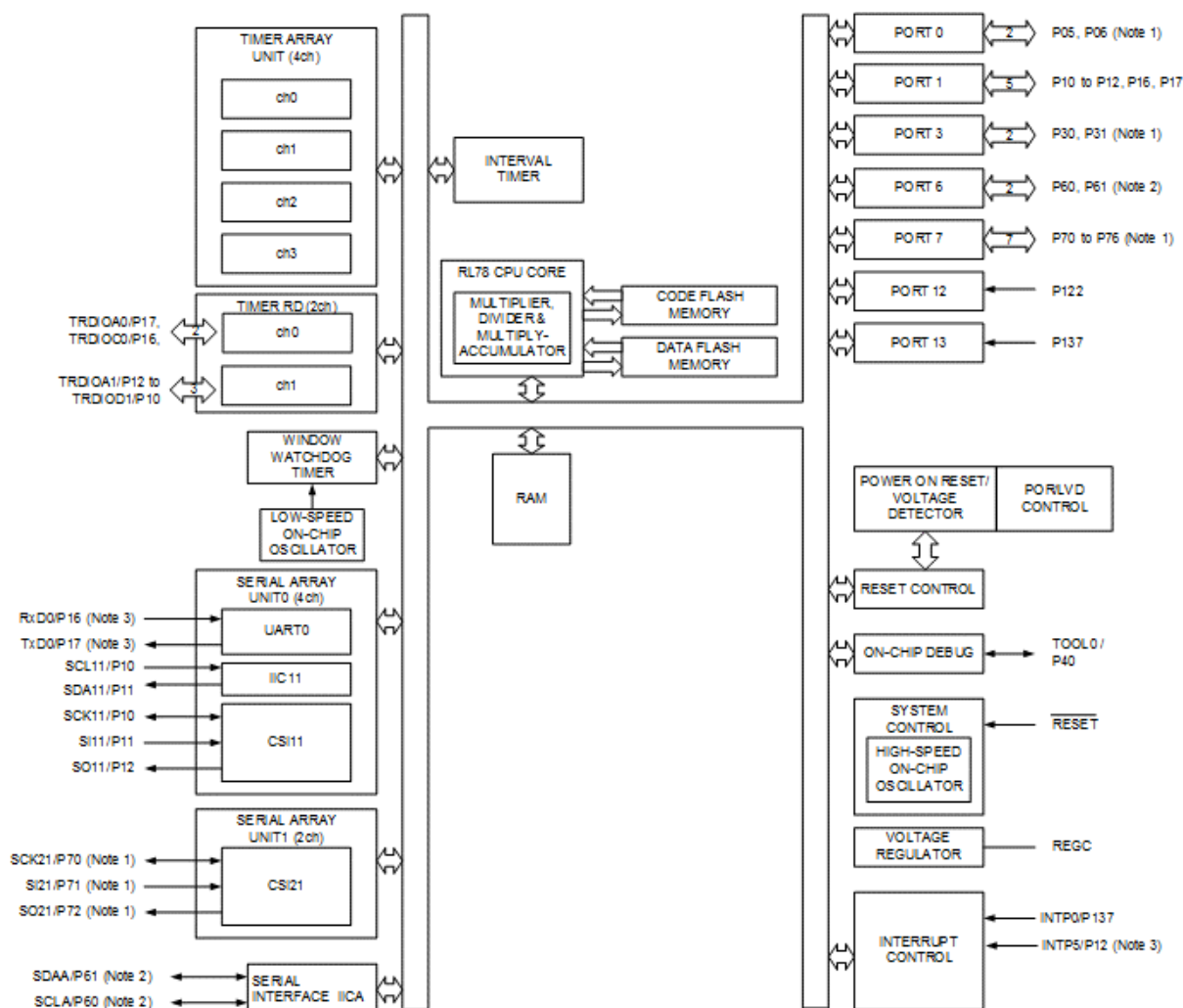
RAJ24007X is Renesas fuel gauge ICs which consists of a MCU block and an AFE block in a single package and accomplish various protection mechanisms. This IC's incorporates advanced battery management features such as primary and secondary protection, voltage and current measurement, current integration, host communication interface. By using the battery management controlled firmware and data are stored in the embedded flash memory to control the embedded analog and digital hardware circuits, optimum battery management operation including high accuracy remaining capacity estimation and battery safety can be achieved.

5.2 System block diagram



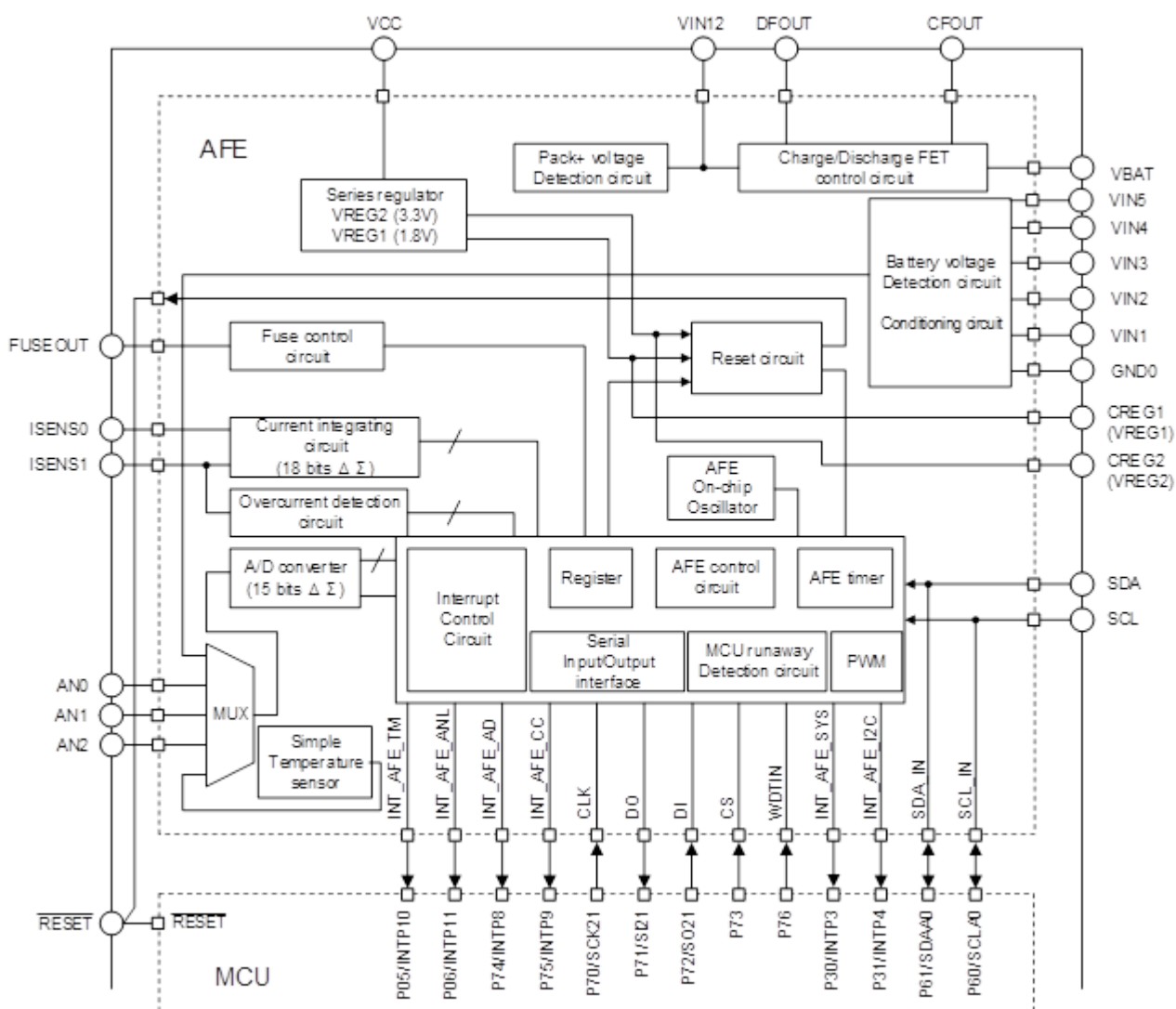
Caution The example peripheral circuit does not guarantee proper operation. Please perform sufficient evaluation using the actual application to determine the circuits and peripherals.

5.3 MCU block diagram



- Note 1. P05, P06, P30, P31 and P70 to P76 are connected to AFE chip in the package. And are not connected to any external pins.
- Note 2. P60/SDAA0 is connected to SDA pin and P61/SCLA0 is connected to SCL pin respectively.
- Note 3. To use external interrupt function of P12(INTP5), it set the PIOR01 bit in the PIOR0 register to 1 and it's enabled peripheral I/O re-direction function. When setting the PIOR01 bit to 1, P16 and P17 can be used as UART function (RxD0, TxD0).

5.4 AFE block diagram



6. Application Guideline

6.1 Typical Application Specification

A typical specification example of Li-ion battery management unit as shown below.

Battery cell assembly : 5S1P (5 cells in series and 1 cell in parallel)

Host interface : System Management Bus (SMBus) Specification, version 1.1.

: UART

Primary protection : charge FET and discharge FET

Secondary protection : Fuse blow by FGIC (RAJ24007X) or a secondary protection device.

Connector pins:

Pack+ Positive battery pack terminal

SMC SMBus clock

SMD SMBus data

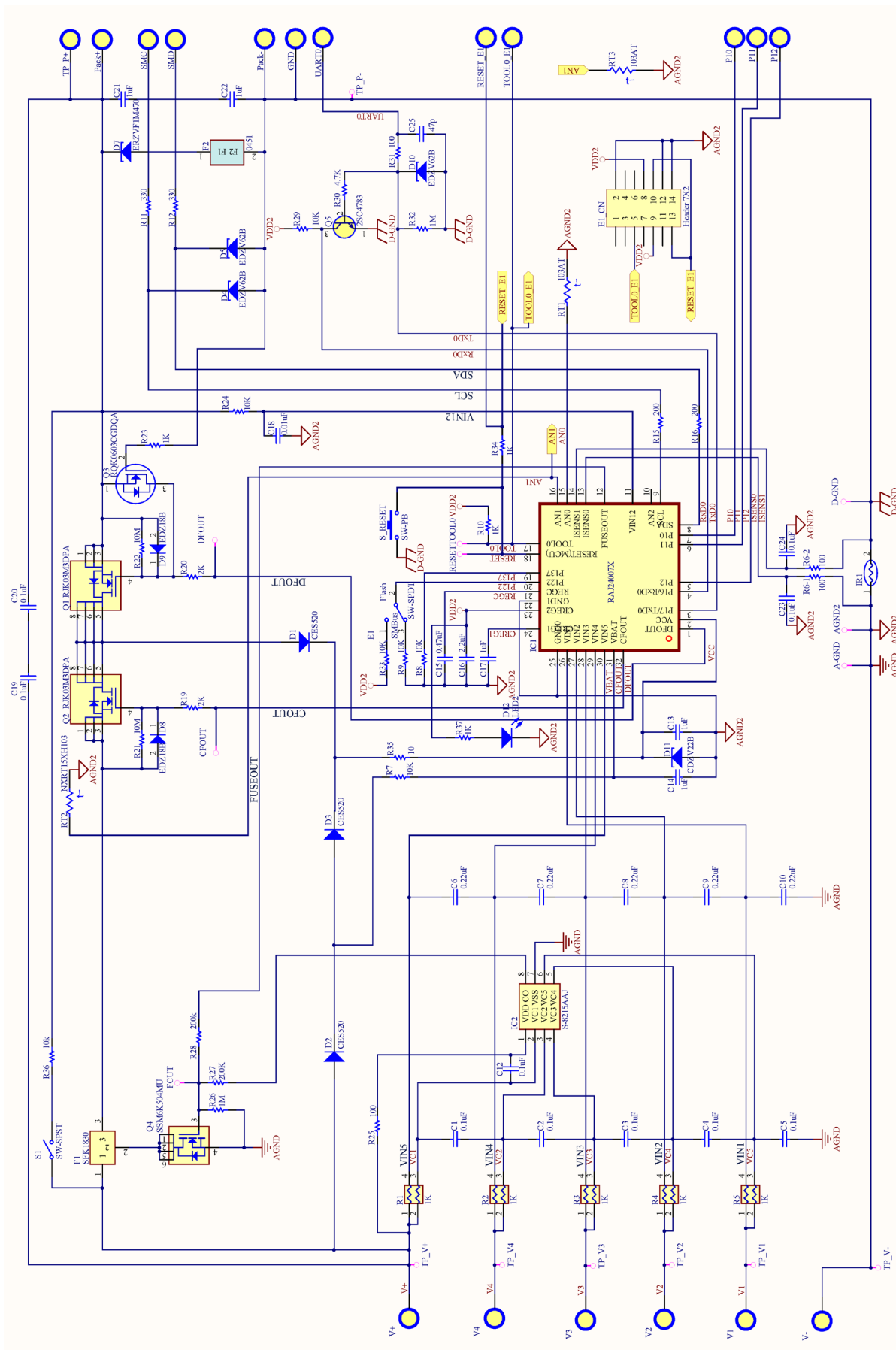
UART0 UART communication port

Pack- Negative battery pack terminal

External reverse charge protection circuit

Battery and charge/discharge MOSFET temperature measurement with three thermistors

6.2 Typical Application Circuit

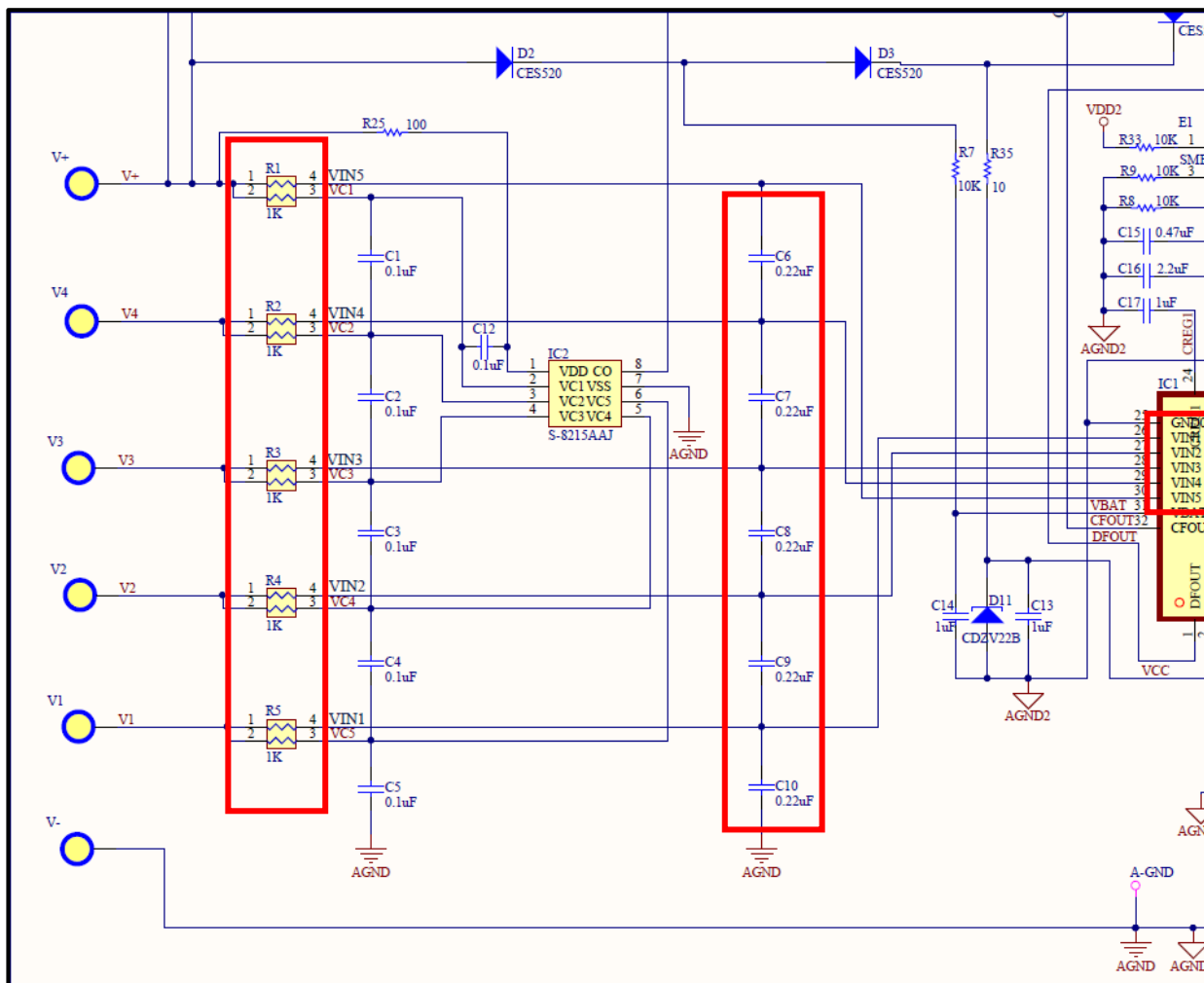


Typical Application Circuit Schematic

6.3 Circuit Design Guideline

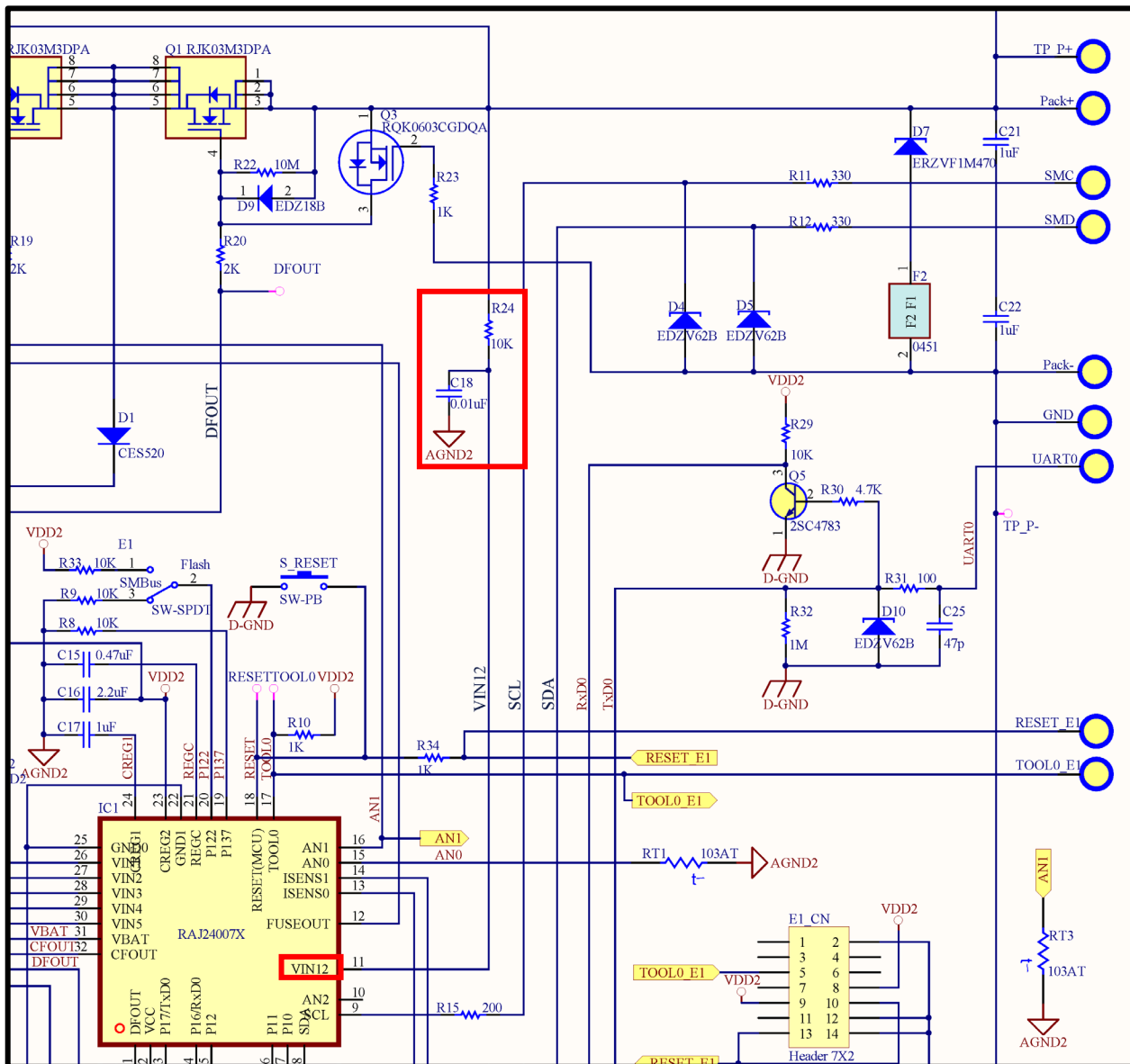
6.3.1 Cell voltage monitor circuit

- Place an input filter between FGIC's VIN port and each of the cells independently for FGIC and 2nd protection IC.
- Place resistors valued around 1kΩ and capacitors valued around 0.22uF to VIN1 – VIN5 for surge protection, so cut-off frequency become 0.7 kHz with 1kΩ. It is necessary to calculate the cut-off frequency and use correct resistance and capacitance value based on application.



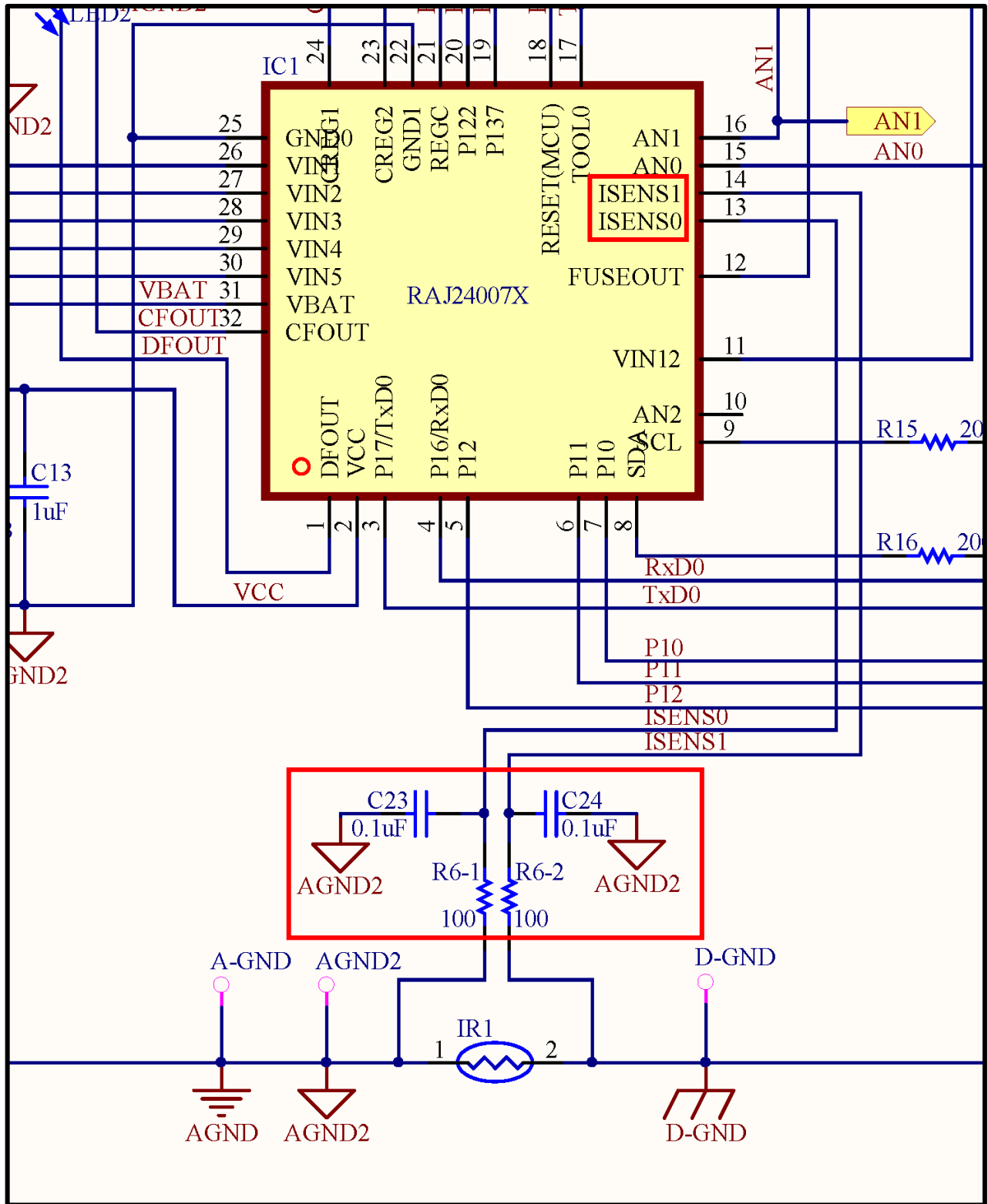
6.3.2 Charger connect detection circuit

- VIN12 port is source voltage of DFOUT (D-FET gate control signal). R24 plays a role in limiting the current limit when charger is reverse-charged. 10kΩ is recommended, if it is too large, the D-FET turn off speed will become too slow.
- C18 helps provide stable D-FET boost operation. 0.01μF is recommended. If it is too large, the D-FET turn off speed will becomes too slow.



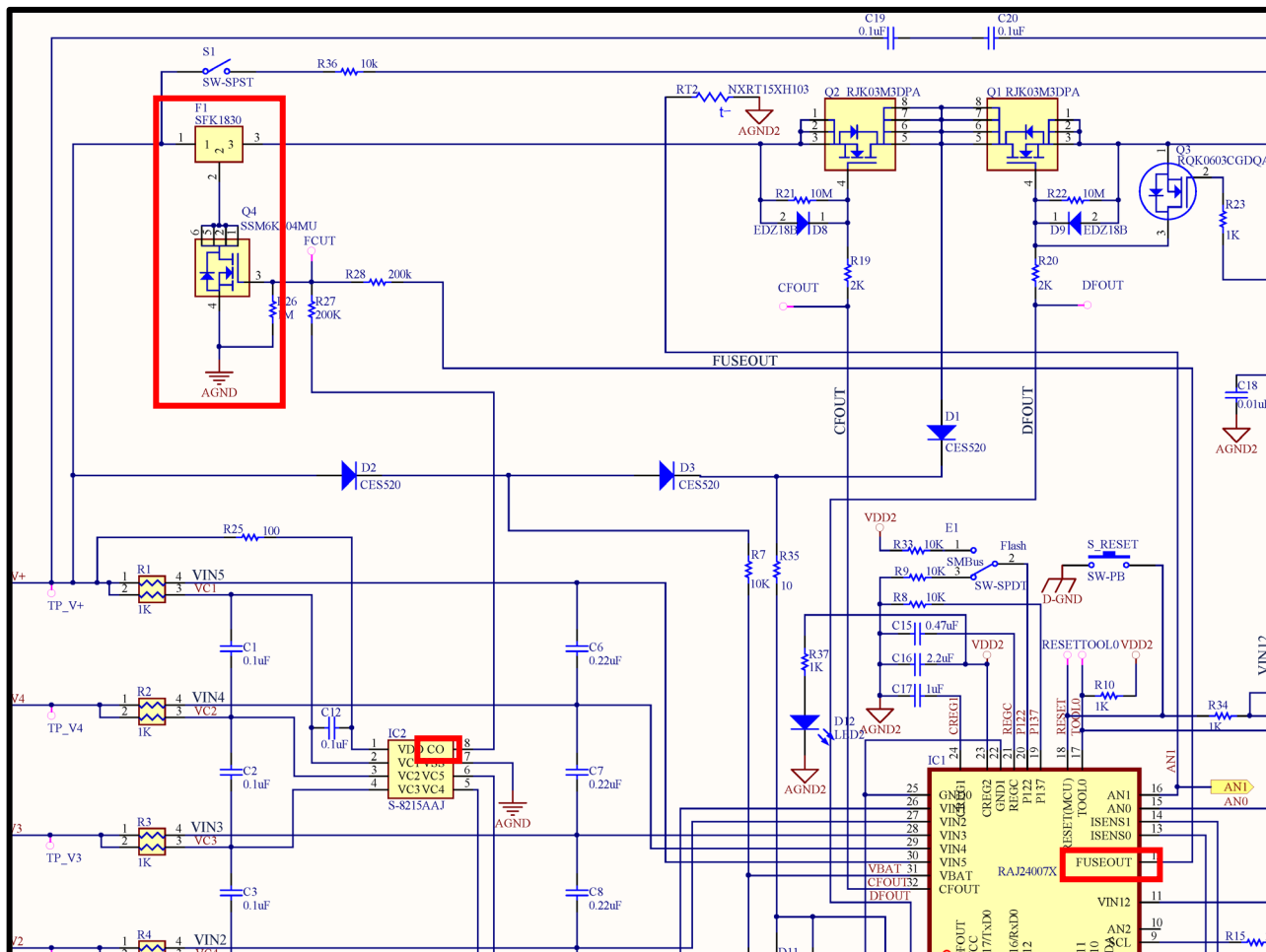
6.3.3 Current monitor

- Potential difference on the sense resistor is monitored by current integration circuit.
- Place a Low Pass Filter (100 Ω, 0.1μF) at input stage.
- Sense lines should be shielded if small voltage difference is detected to ensure high accurate current sensing.



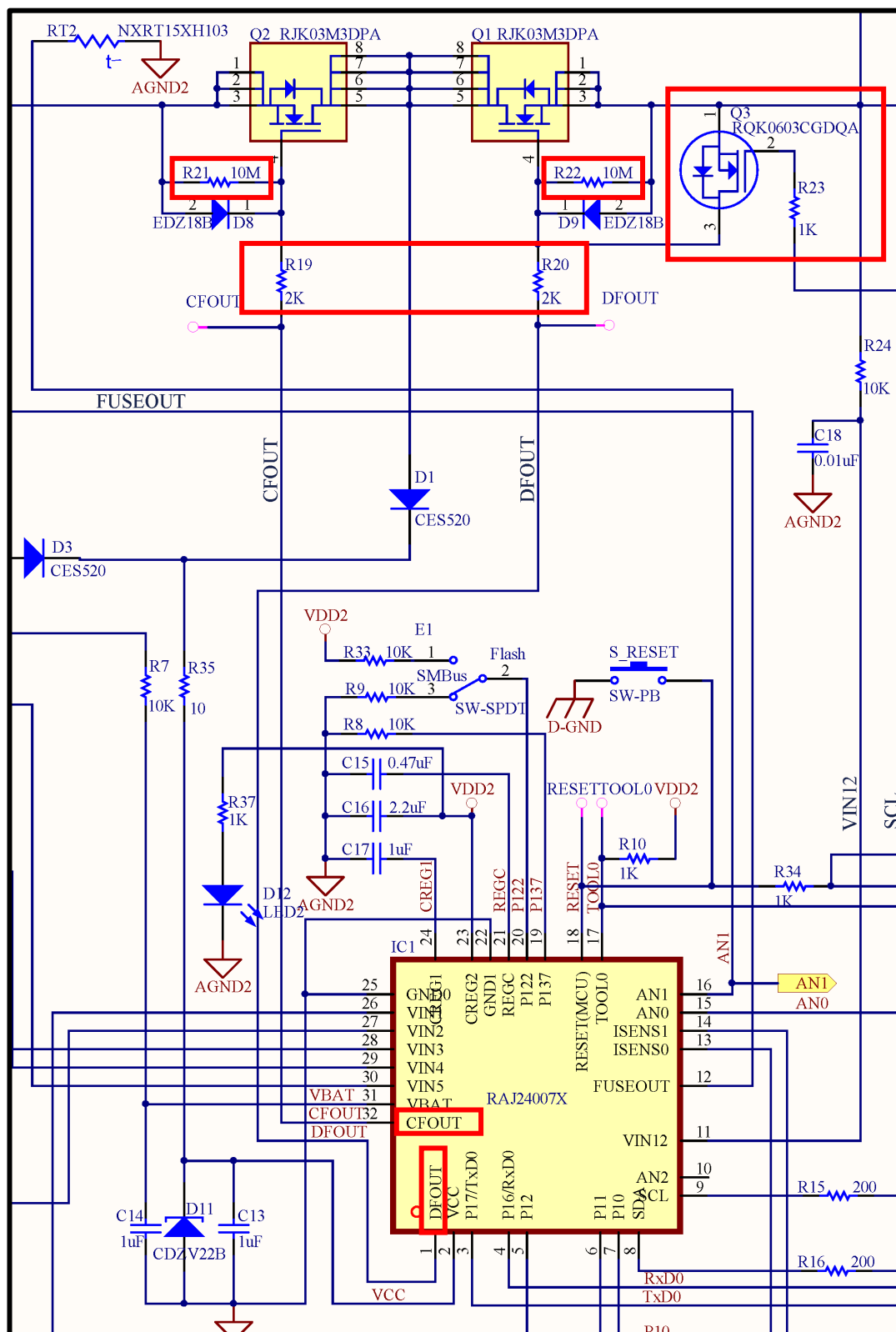
6.3.4 Fuse control

- Self-control protector (SCP) is used for fuse in reference circuit.
- The fuse will blow when RAJ24007X drives FUSEOUT pin high to make Q4 ON.
- The fuse will blow when overcurrent exceeds the limit of SCP.
- When 2nd protection IC detects overcharge voltage, CO becomes high to make Q4 ON.



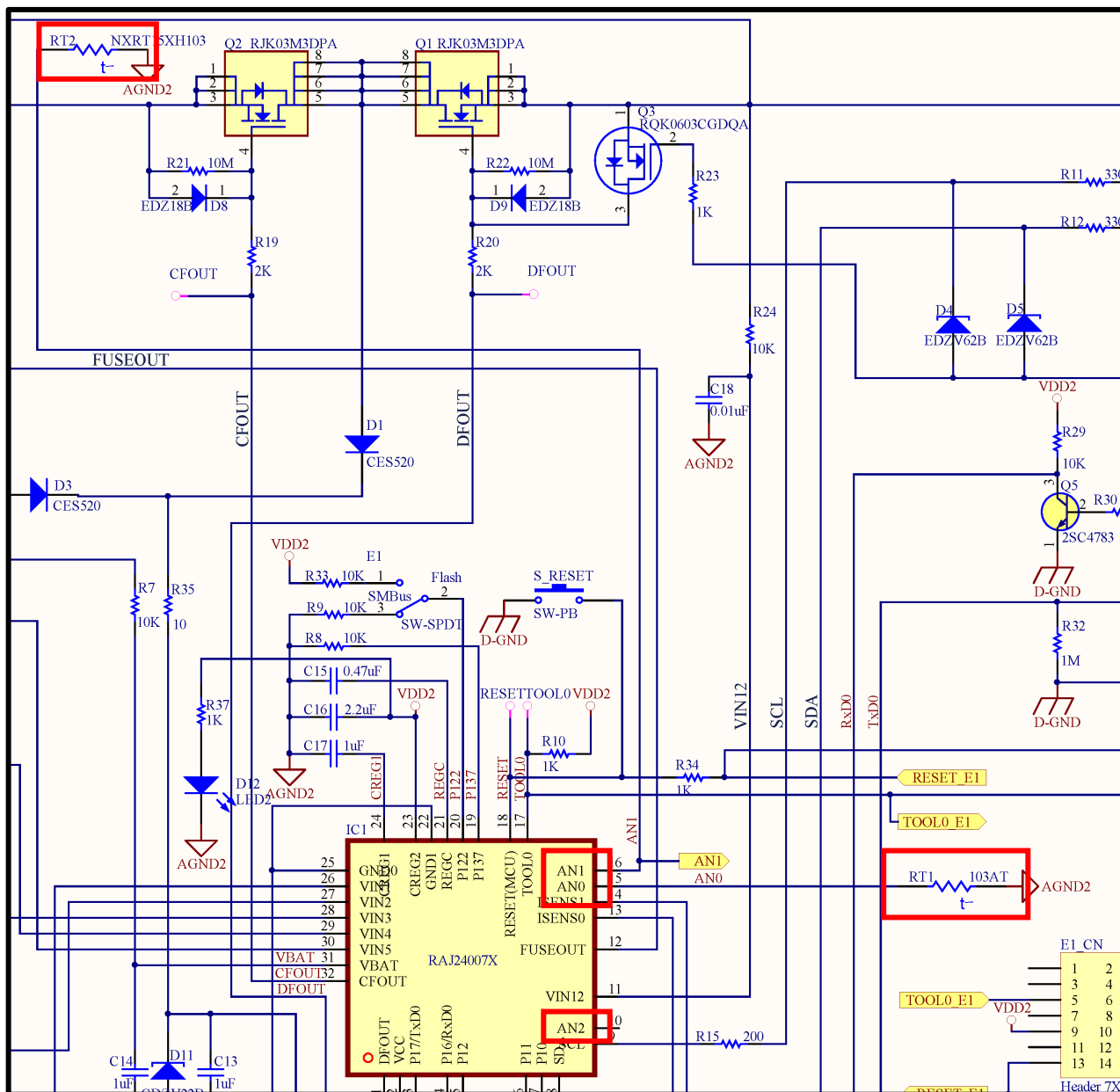
6.3.5 C-FET and D-FET control

- Q3 is located between gate and source of D-FET(Q1) to make D-FET turn off when charger is reverse connected.
- R23 is for Q3 gate protection. (1kΩ is recommended.)
- R19 and R20 are used as gate protection and C-FET/D-FET noise reduction. (2kΩ is recommended.)
- R21 and R22 are use to fix C-FET/D-FET gate voltage in order to keep stable off state when both FETs are turn off. 10MΩ is recommended to prevent voltage drop.



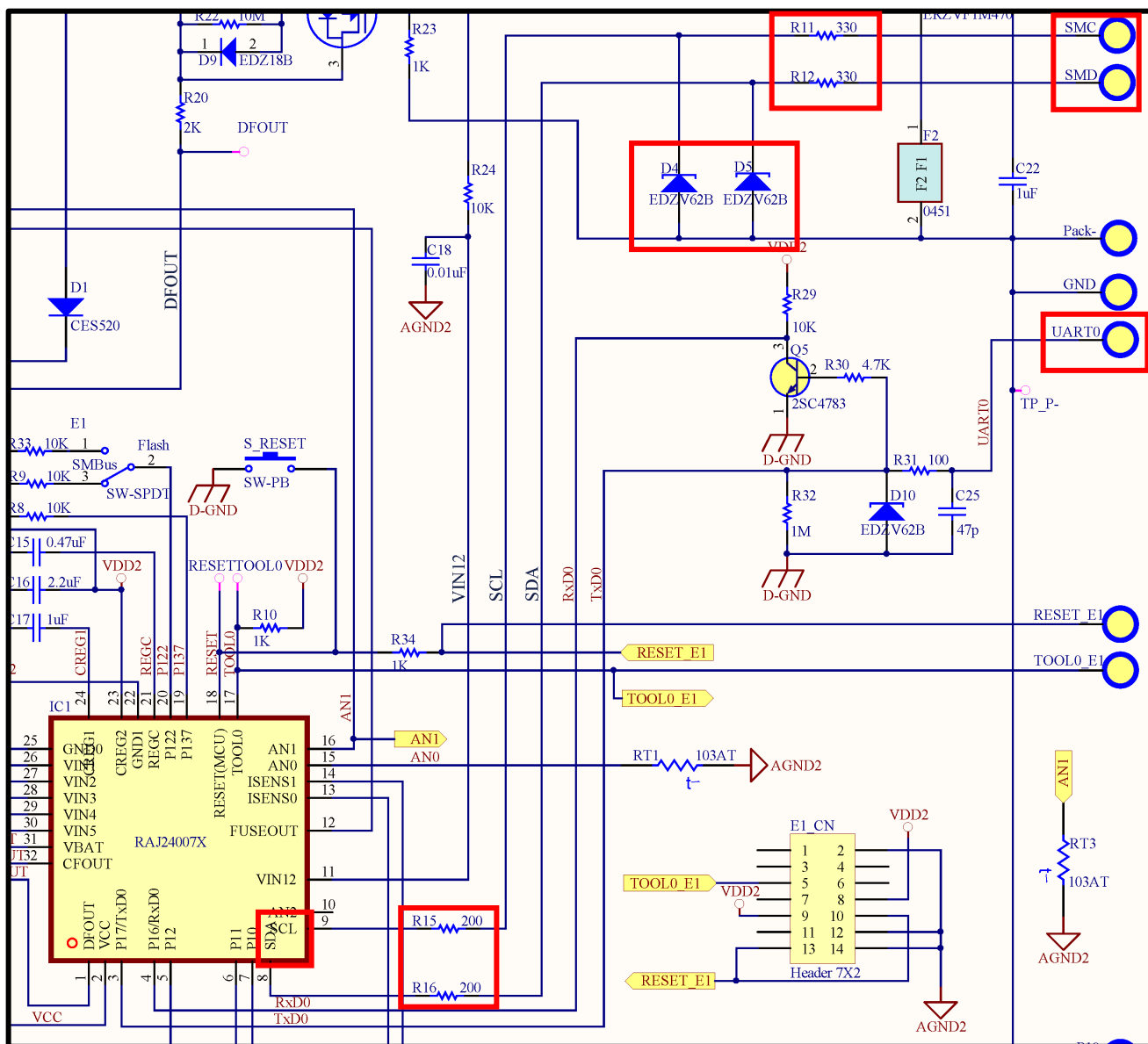
6.3.6 Thermistor

- ADC voltage measurement pins (AN0, AN1, AN2) are assigned for thermistor. AN2 is OPEN in the reference circuit.



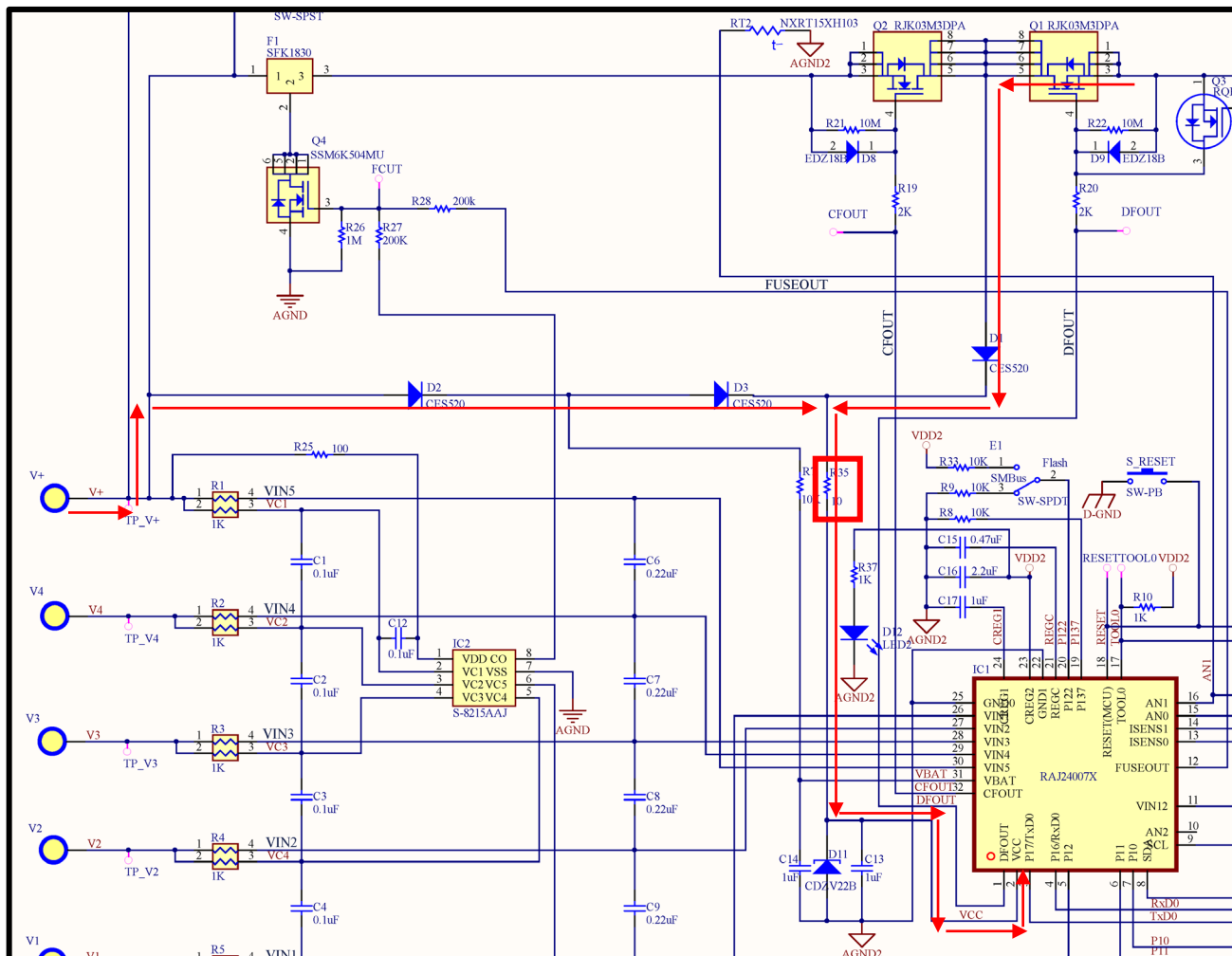
6.3.7 Communication line

- RAJ24007X supports 2 kinds of communication, SMBus, UART.
- For electrical over stress countermeasure, input 200 Ω, 330 Ω resistance and zener diode are recommended in SMBus communication line. Regarding fast mode, these resistance value should be changed.
- For UART communication, P16 and P17 pins have CREG2 output circuit, therefore RXD/TXD line pull up voltage should be the same as CREG2.



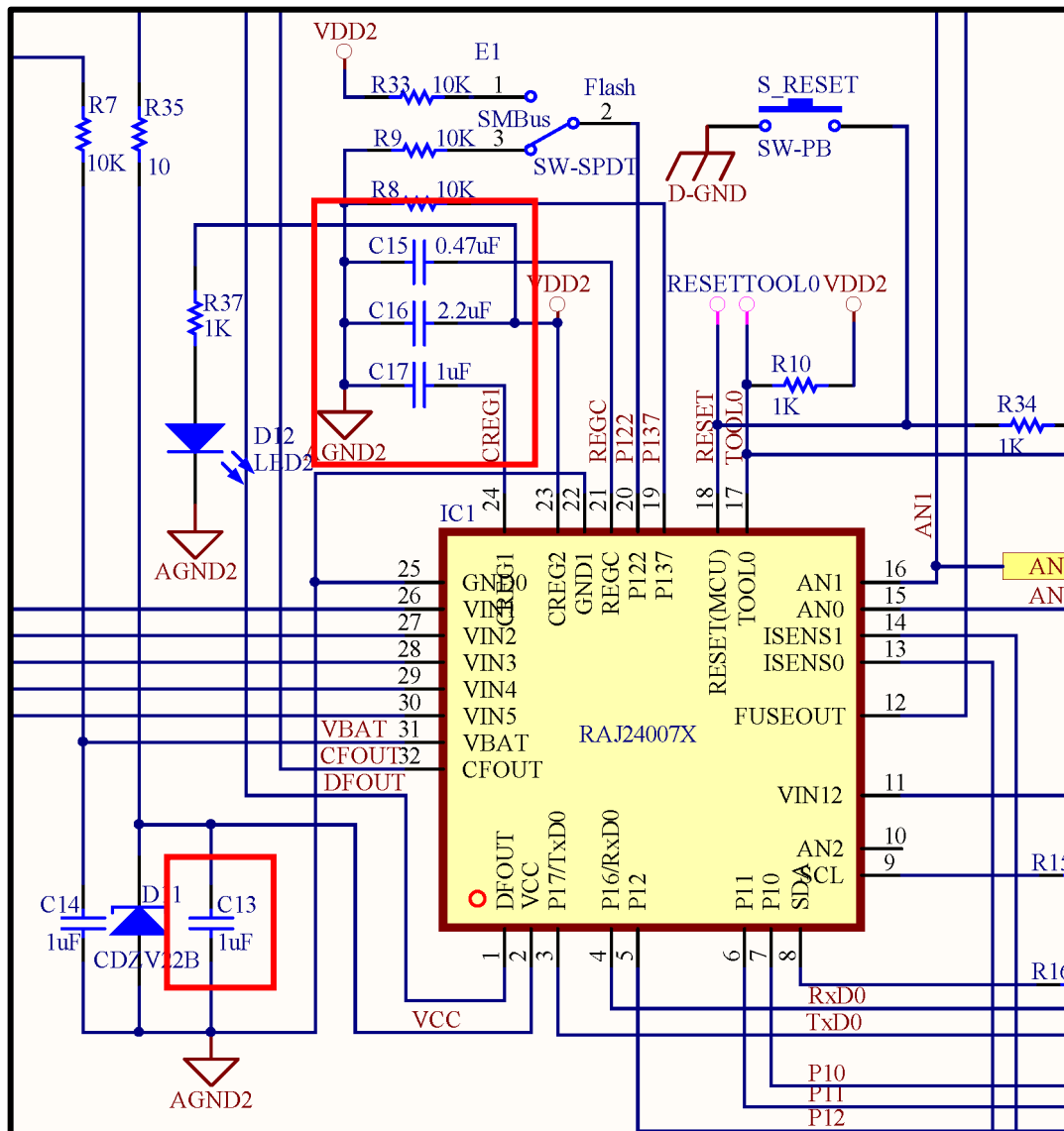
6.3.8 Power supply path

- Power is supplied to VCC through the following two paths depending on circumstance.
- Power supplied from battery side when fuse is blown.
- Higher output voltage from battery and charger is used as power supply.
- For protection of the VCC pin, it is recommended to add resistor for current limit.



6.3.9 VCC, CREG2, CREG1 and REGC capacitance

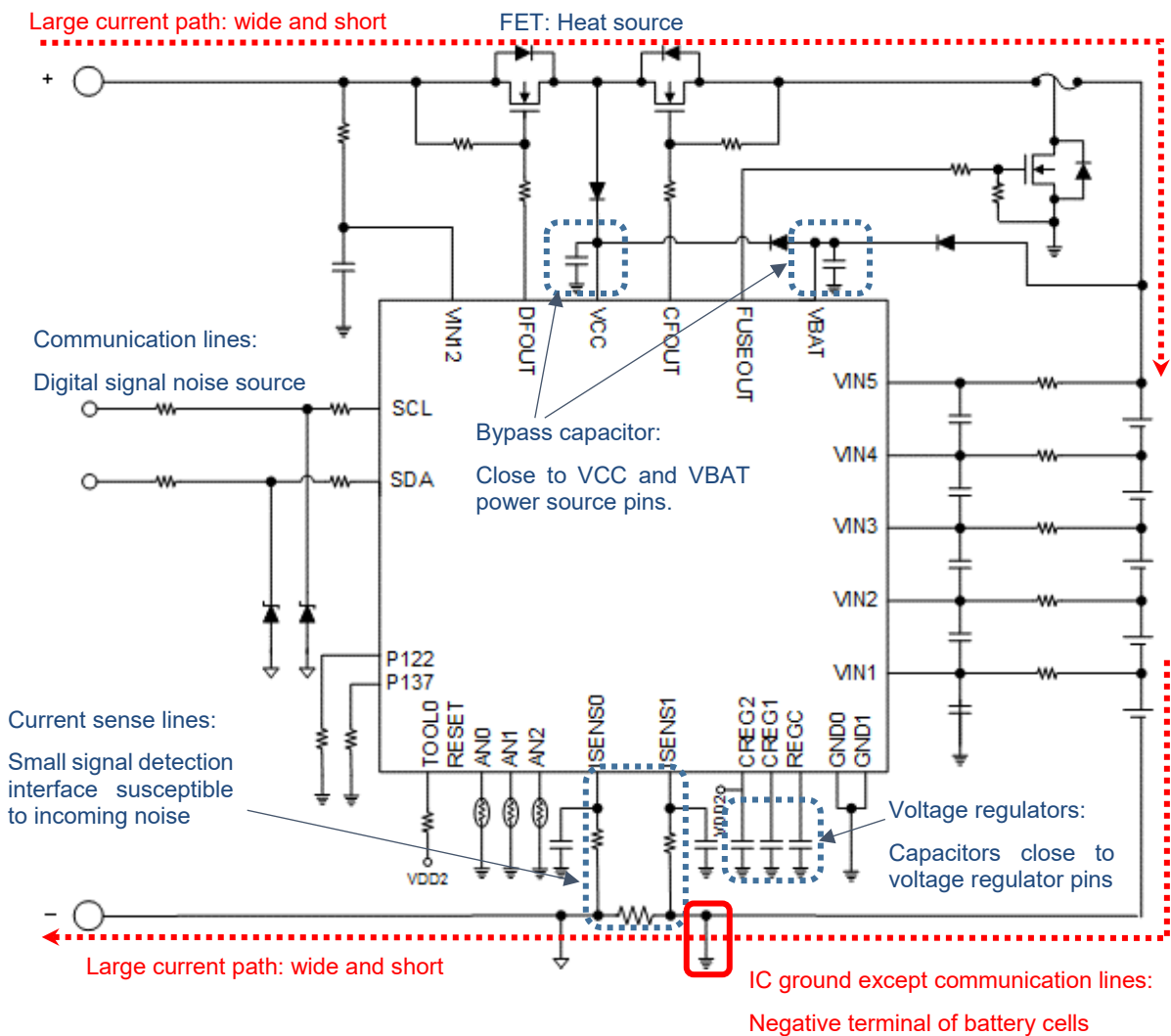
- The following decoupling capacitors must be located adjacent to each terminal.
- C13: VCC (1µF is recommended.)
- C16: CREG2 (2.2µF is recommended.)
- C17: CREG1 (1µF is recommended.)
- C15: REGC (0.47µF is recommended.)



6.4 Layout Guidelines

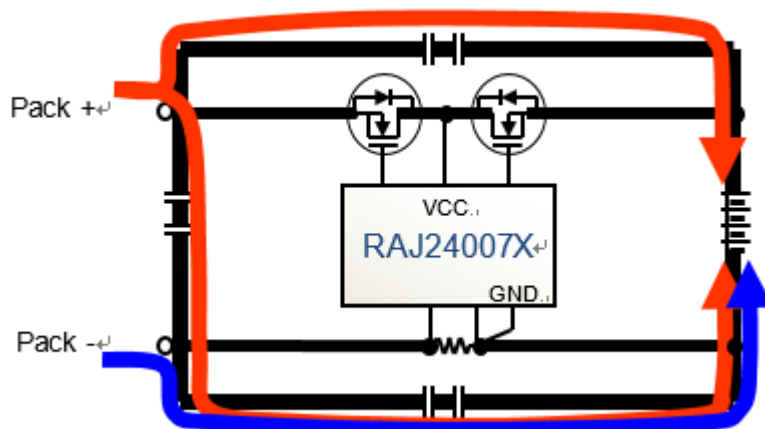
6.4.1 Summary

- Large current patterns must be wide and short to minimize voltage drop and heat generation.
- Bypass capacitors must be mounted as close as possible to the device VCC / VBAT and GND pins to prevent erroneous operation due to noise from power supply.
- Capacitors for voltage regulators must be located close to regulator pins to ensure loop stability and ESD tolerance.
- All IC ground must be connected to the negative terminal of battery cells except ground for communication lines.
- Communication lines must be away from small signal current sense line to prevent the input signal from being disturbed by the incoming radiation noise.
- FGIC (RAJ24007X) must be located away from any heat source (FET, current sense resistor and large current patterns) to minimize the influence of heat.



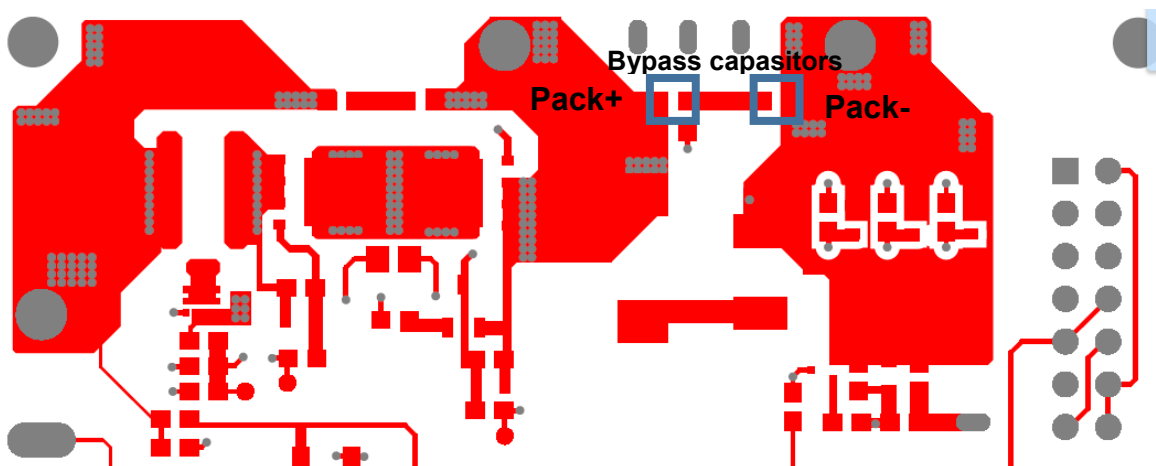
6.4.2 ESD protections on each terminal (basic policy)

- ESD on Pack+ terminal must be discharged to the top side of the cell or to Pack- terminal through a capacitor.
- ESD on Pack- terminal must be discharged to the GND side of the cell.
- ESD on communication terminals and other GPIOs must be discharged to the GND side of the cell via Pack- terminal.
- The noise from PACK+ or PACK- must be discharged to the battery cells so that it will not interfere with FGIC functions and measurements.



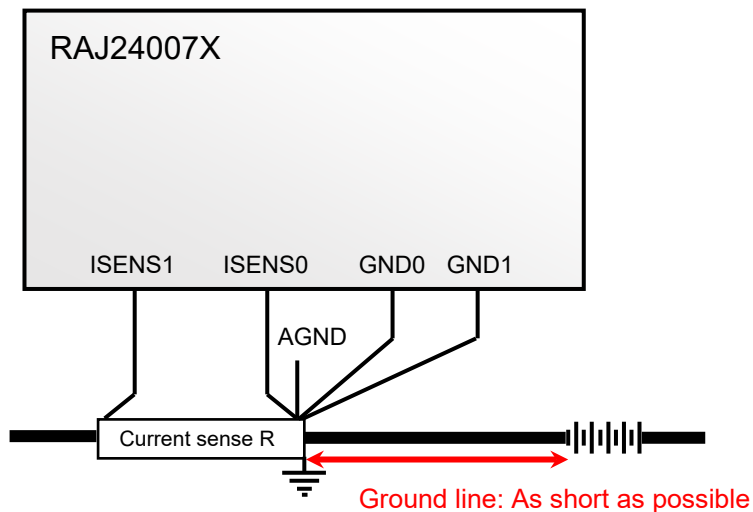
6.4.3 Pack+, Pack- (Noise protection element)

- A bypass capacitor must be placed between Pack+ and Pack-. (Countermeasure against ESD)
- A bypass capacitor must be located adjacent to Pack+, Pack-. (Minimize the ESD influence)
- Capacitors must be placed in series. (Countermeasure against short-circuit of capacitors)
- Don't use tantalum capacitor. (Tantalum capacitor can end up with short-circuited failure when damaged.)
- For the terminal protection against noise and overvoltage, It is recommended that it carries varistor (D7) or TVS diode.
- It is recommended to add Fuse to prevent short circuit.(F2)
- C21, C22, D7, F2 must be placed as short as possible between Pack + and Pack-. However, be careful not to narrow the distance between Pack + and Pack-.



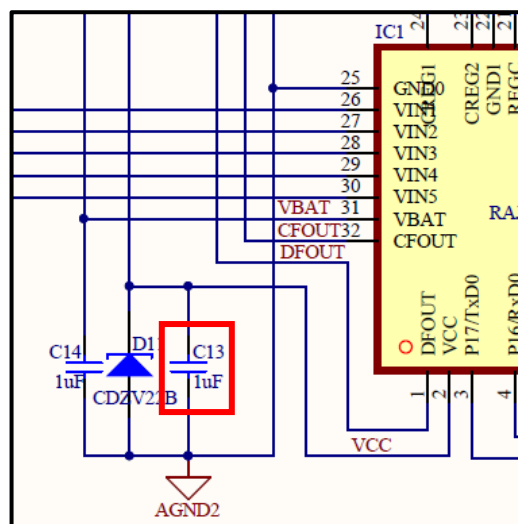
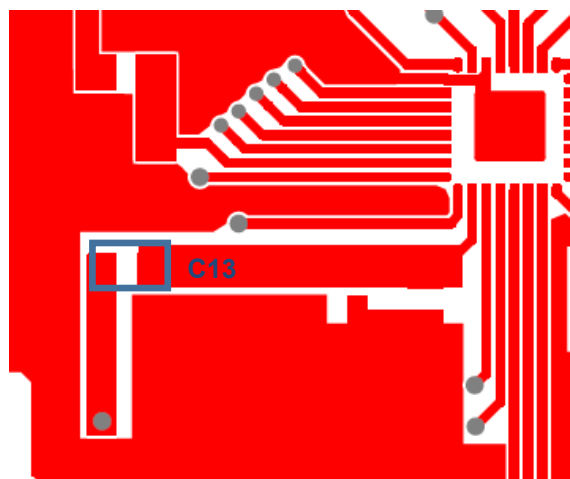
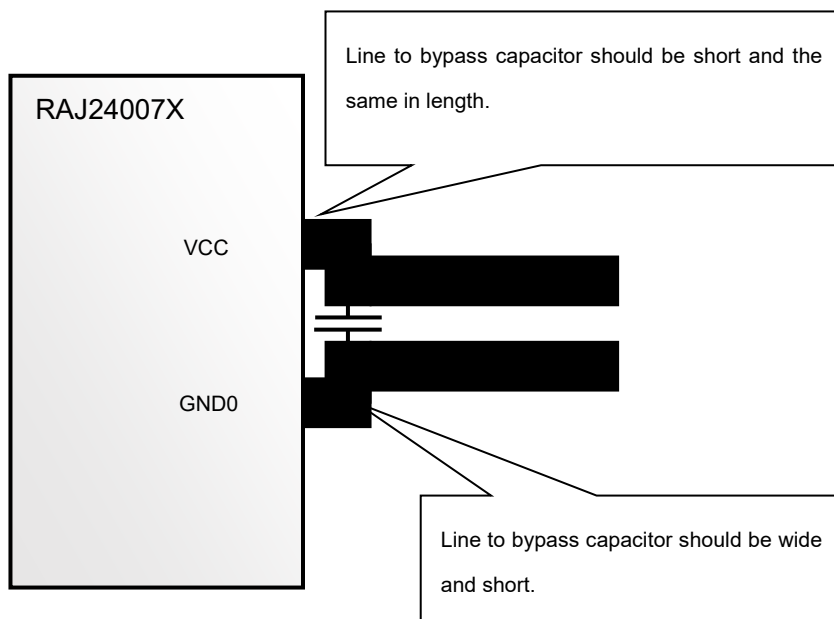
6.4.4 GND connection

- AGND and AGND2 of RAJ24007X must be connected to the one point of current detection resistor of the cell side by the pattern with an adequate width. (Prevent potential variation by large current.)
- The patterns between AGND and AGND2 must not be divided. (Keeping the GND potential of MCU and AFE equal)
- The lines from cell GND to current sensing resistor must be wide and as short as possible to avoid potential difference generated between cell GND and RAJ24007X when current flows.



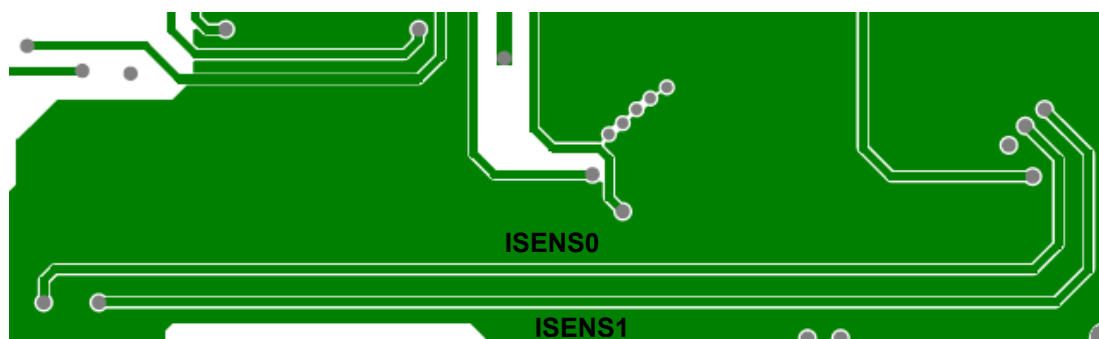
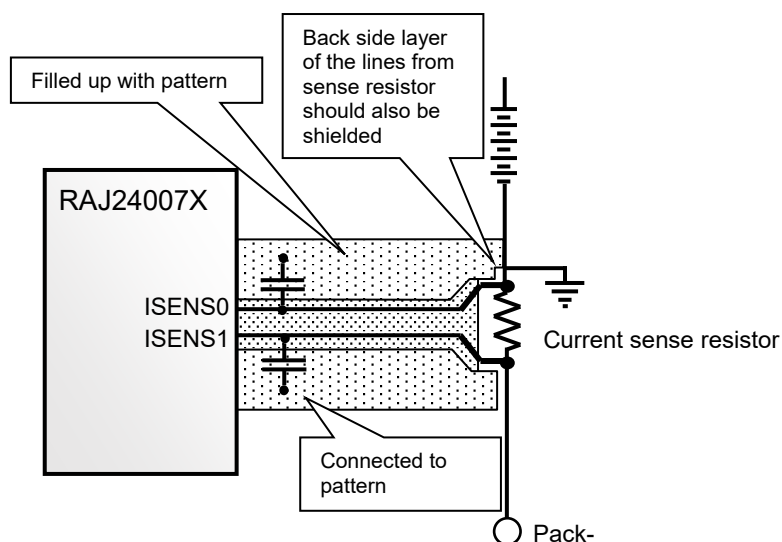
6.4.5 Bypass capacitor between VCC and GND0

- The patterns between VCC pin and GND1 pin, a bypass capacitor is connected and the path must be as short as possible and of equal length . (Countermeasure for ESD)
FGIC and bypass capacitors must be placed on the same side of PCB without any through-hole.
- The lines to bypass capacitor must be wide and short. (To keep bypass capacitor effective in suppressing the potential variation.)



6.4.6 Current Monitor (ISENS0, ISENS1)

- Two lines from current sense resistor to ISENS0, ISENS1 must be the same in width and length, and in parallel with the same space between the two lines. (Prevent erroneous detections due to noise)
- LPF (100 ohm and 0.1 uF) and a shield pattern should be placed to ISENS0/1 lines. (Countermeasure against noise)
- There must be no unnecessary divergence between current sense resistors to ISENS0 and ISENS1. (Incoming noise from the pattern unnecessarily divergence.)
- Capacitors connected to shielding pattern are recommended to be located adjacent to RAJ24007X. (Countermeasure against noise)



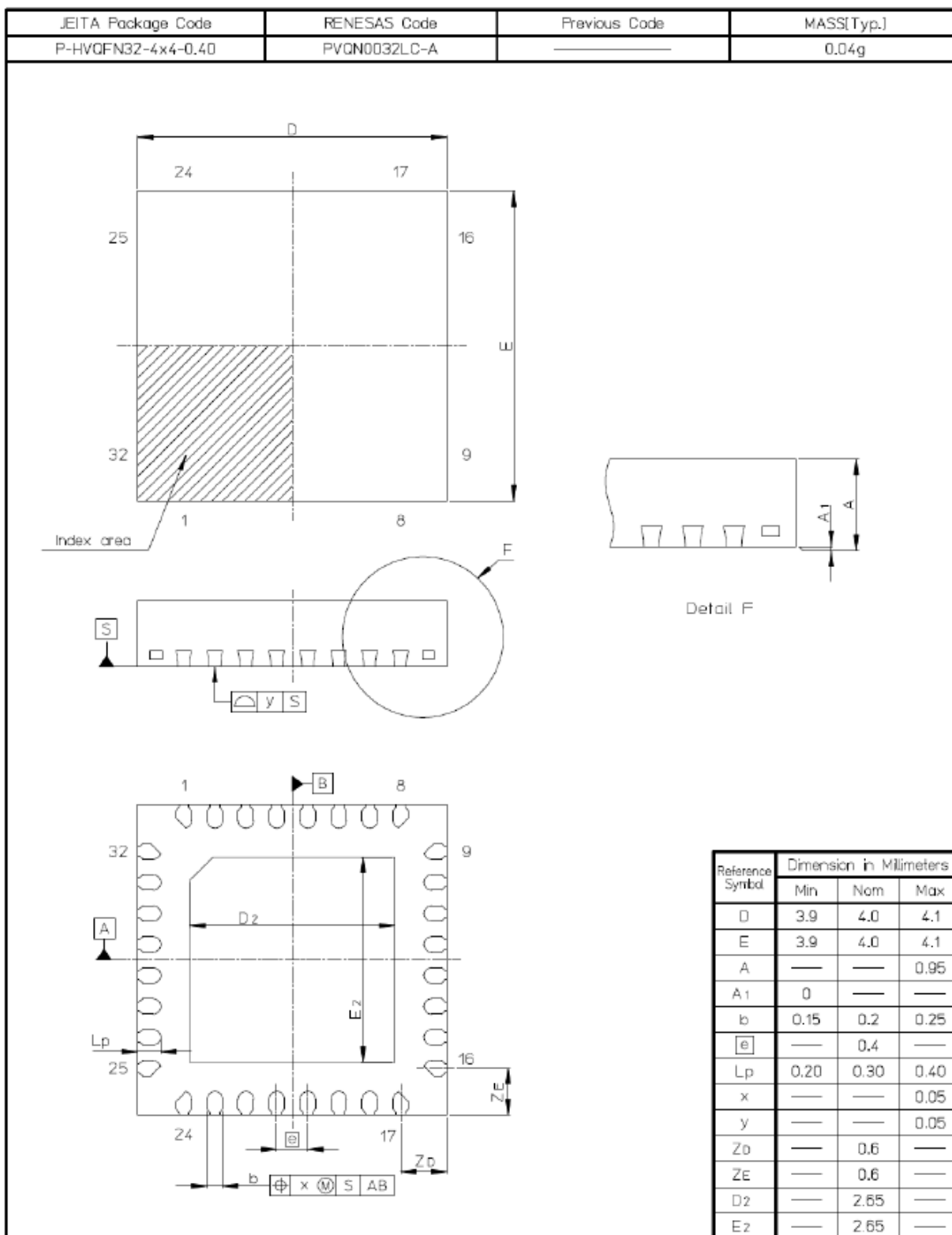
6.4.7 Communication line (SMBus)

- SMBus lines must be equipped with zener diodes. And it is necessary to mount resistors on the side of FGIC and pack connector. (Zener diode and the resistor on the side of connector are for surge countermeasures, the resistor on the side of FGIC for noise countermeasure.)
- The resistor on the side of the FGIC must be located as close to the FGIC as possible

6.4.8 Unused Pins

- Unused pins are recommended to be connected to GND via resistors as ESD countermeasure. (Setting low output by software prevents the terminal from becoming indefinite).

7. PACKAGE DRAWINGS



Caution Package outline is tentative version. All parameters are expressed in millimeter.

REVISION HISTORY

Rev.	Date	Page	Description
1.00	May 12, 2017		First Version
1.01	July 12, 2017	22 23	Updated note number for Overcurrent detection circuit characteristics table. Added note for Series regulator circuit characteristics table.
1.02	Dec. 28, 2017	3 5 12 30 31	2.1 Outline of Functions - added production line-up of RAJ240071 for ROM and RAM - High voltage port: Input port was deleted. - 16-bit timer RD number 2 => 1 2.2 Pin configuration -P16, P17 pin multi information was revised. 4.1 Absolute maximum ratings - Input voltage of AN0 to AN2 and ISENS0/1 information was added. 4.8.2 Sigma-delta A/D converter characteristics - Conversion result in zero / full scale input typ value was revised. 4.8.4 Overcurrent detection / wakeup current detection circuit characteristics - Note 1 was revised.
1.03	May 28, 2018	1 5~7, 18	Production name explanation is add. RAJ240071 and RAJ240075 are written as RAJ24007X. TI01/02 and TO01/02 port function are removed
1.04	Dec.14, 2018	-	RAJ24007x product line-up is revised

General cautions for Handling Microprocessing Unit and Microcontroller Unit Products

The following usage notes are applicable to all Microprocessing unit and Microcontroller unit products from Renesas. For detailed usage notes on the products covered by this document, refer to the relevant sections of the document as well as any technical updates that have been issued for the products.

1. Handling of Unused Pins

Handle unused pins in accordance with the directions given under Handling of Unused Pins in the manual.

- The input pins of CMOS products are generally in the high-impedance state. In operation with an unused pin in the open-circuit state, extra electromagnetic noise is induced in the vicinity of LSI, an associated shoot-through current flows internally, and malfunctions occur due to the false recognition of the pin state as an input signal become possible. Unused pins should be handled as described under Handling of Unused Pins in the manual.

2. Processing at Power-on Processing during Power-on

The state of the product is undefined at the moment when power is supplied.

- The states of internal circuits in the LSI are indeterminate undetermined and the states of register settings and pins are undefined at the moment when power is supplied.

In a finished product where the reset signal is applied to the external reset pin, the states state of pins are not guaranteed from the moment when power is supplied until the reset process is completed.

In a similar way, the states of pins in a product that is reset by an on-chip power-on reset function are not guaranteed from the moment when power is supplied until the power reaches the level at which resetting has been specified.

3. Prohibition of Access to Reserved Addresses

Access to reserved addresses is prohibited.

- The reserved addresses are provided for possible future expansion of functions only. Do not access these addresses; the correct operation of LSI will not guaranteed if they are accessed.

4. Clock Signals

After applying a reset, the reset line will only be released after the operating clock signal has become stable. When switching the clock signal during program execution, wait until the target clock signal has stabilized.

- When the clock signal is generated with an external resonator (or from an external oscillator) during a reset, ensure that the reset line is only released after full stabilization of the clock signal. Moreover, when switching to a clock signal produced with an external resonator (or by an external oscillator) while program execution is in progress, wait until the target clock signal is stable.

5. Differences between Products

Before changing from one product to another, i.e. to a product with a different part number, confirm that the change will not lead to problems.

- The characteristics of Microprocessing unit or Microcontroller unit products in the same group but having a different part number may differ in terms of internal memory capacity, layout pattern, and other factors, which can affect the ranges of electrical characteristics, such as characteristic values, operating margins, immunity to noise, and amount of radiated noise. When changing to a product with a different part number, system-evaluation test needs to be implemented for the given product.

Notice

1. Descriptions of circuits, software and other related information in this document are provided only to illustrate the operation of semiconductor products and application examples. You are fully responsible for the incorporation or any other use of the circuits, software, and information in the design of your product or system. Renesas Electronics disclaims any and all liability for any losses and damages incurred by you or third parties arising from the use of these circuits, software, or information.
2. Renesas Electronics hereby expressly disclaims any warranties against and liability for infringement or any other disputes involving patents, copyrights, or other intellectual property rights of third parties, by or arising from the use of Renesas Electronics products or technical information described in this document, including but not limited to, the product data, drawing, chart, program, algorithm, application examples.
3. No license, express, implied or otherwise, is granted hereby under any patents, copyrights or other intellectual property rights of Renesas Electronics or others.
4. You shall not alter, modify, copy, or otherwise misappropriate any Renesas Electronics product, whether in whole or in part. Renesas Electronics disclaims any and all liability for any losses or damages incurred by you or third parties arising from such alteration, modification, copy or otherwise misappropriation of Renesas Electronics products.
5. Renesas Electronics products are classified according to the following two quality grades: "Standard" and "High Quality". The intended applications for each Renesas Electronics product depends on the product's quality grade, as indicated below.
"Standard": Computers; office equipment; communications equipment; test and measurement equipment; audio and visual equipment; home electronic appliances; machine tools; personal electronic equipment; and industrial robots etc.
"High Quality": Transportation equipment (automobiles, trains, ships, etc.); traffic control (traffic lights); large-scale communication equipment; key financial terminal systems; safety control equipment; etc.
Renesas Electronics products are neither intended nor authorized for use in products or systems that may pose a direct threat to human life or bodily injury (artificial life support devices or systems, surgical implantations etc.), or may cause serious property damages (space and undersea repeaters; nuclear power control systems; aircraft control systems; key plant systems; military equipment; etc.). Renesas Electronics disclaims any and all liability for any damages or losses incurred by you or third parties arising from the use of any Renesas Electronics product for which the product is not intended by Renesas Electronics.
6. When using the Renesas Electronics products, refer to the latest product information (data sheets, user's manuals, application notes, "General Notes for Handling and Using Semiconductor Devices" in the reliability handbook, etc.), and ensure that usage conditions are within the ranges specified by Renesas Electronics with respect to maximum ratings, operating power supply voltage range, heat radiation characteristics, installation, etc. Renesas Electronics disclaims any and all liability for any malfunctions or failure or accident arising out of the use of Renesas Electronics products beyond such specified ranges.
7. Although Renesas Electronics endeavors to improve the quality and reliability of Renesas Electronics products, semiconductor products have specific characteristics such as the occurrence of failure at a certain rate and malfunctions under certain use conditions. Further, Renesas Electronics products are not subject to radiation resistance design. Please ensure to implement safety measures to guard them against the possibility of bodily injury, injury or damage caused by fire, and social damage in the event of failure or malfunction of Renesas Electronics products, such as safety design for hardware and software including but not limited to redundancy, fire control and malfunction prevention, appropriate treatment for aging degradation or any other appropriate measures by your own responsibility as warranty for your products/system. Because the evaluation of microcomputer software alone is very difficult and not practical, please evaluate the safety of the final products or systems manufactured by you.
8. Please contact a Renesas Electronics sales office for details as to environmental matters such as the environmental compatibility of each Renesas Electronics product. Please investigate applicable laws and regulations that regulate the inclusion or use of controlled substances, including without limitation, the EU RoHS Directive carefully and sufficiently and use Renesas Electronics products in compliance with all these applicable laws and regulations. Renesas Electronics disclaims any and all liability for damages or losses occurring as a result of your noncompliance with applicable laws and regulations.
9. Renesas Electronics products and technologies shall not be used for or incorporated into any products or systems whose manufacture, use, or sale is prohibited under any applicable domestic or foreign laws or regulations. You shall not use Renesas Electronics products or technologies for (1) any purpose relating to the development, design, manufacture, use, stockpiling, etc., of weapons of mass destruction, such as nuclear weapons, chemical weapons, or biological weapons, or missiles (including unmanned aerial vehicles (UAVs)) for delivering such weapons, (2) any purpose relating to the development, design, manufacture, or use of conventional weapons, or (3) any other purpose of disturbing international peace and security, and you shall not sell, export, lease, transfer, or release Renesas Electronics products or technologies to any third party whether directly or indirectly with knowledge or reason to know that the third party or any other party will engage in the activities described above. When exporting, selling, transferring, etc., Renesas Electronics products or technologies, you shall comply with any applicable export control laws and regulations promulgated and administered by the governments of the countries asserting jurisdiction over the parties or transactions.
10. Please acknowledge and agree that you shall bear all the losses and damages which are incurred from the misuse or violation of the terms and conditions described in this document, including this notice, and hold Renesas Electronics harmless, if such misuse or violation results from your resale or making Renesas Electronics products available any third party.
11. This document shall not be reprinted, reproduced or duplicated in any form, in whole or in part, without prior written consent of Renesas Electronics.
12. Please contact a Renesas Electronics sales office if you have any questions regarding the information contained in this document or Renesas Electronics products.

(Note 1) "Renesas Electronics" as used in this document means Renesas Electronics Corporation and also includes its majority-owned subsidiaries.

(Note 2) "Renesas Electronics product(s)" means any product developed or manufactured by or for Renesas Electronics.

(Rev.3.0-1 November 2016)



SALES OFFICES

Renesas Electronics Corporation

<http://www.renesas.com>

Refer to "<http://www.renesas.com/>" for the latest and detailed information.

Renesas Electronics America Inc.
2801 Scott Boulevard Santa Clara, CA 95050-2549, U.S.A.
Tel: +1-408-588-6000, Fax: +1-408-588-6130

Renesas Electronics Canada Limited
9251 Yonge Street, Suite 8309 Richmond Hill, Ontario Canada L4C 9T3
Tel: +1-905-237-2004

Renesas Electronics Europe Limited
Dukes Meadow, Millboard Road, Bourne End, Buckinghamshire, SL8 5FH, U.K
Tel: +44-1628-585-100, Fax: +44-1628-585-900

Renesas Electronics Europe GmbH
Arcadiastrasse 10, 40472 Düsseldorf, Germany
Tel: +49-211-6503-0, Fax: +49-211-6503-1327

Renesas Electronics (China) Co., Ltd.
Room 1709, Quantum Plaza, No.27 ZhiChunLu Haidian District, Beijing 100191, P.R.China
Tel: +86-10-8235-1155, Fax: +86-10-8235-7679

Renesas Electronics (Shanghai) Co., Ltd.
Unit 301, Tower A, Central Towers, 555 Langao Road, Putuo District, Shanghai, P. R. China 200333
Tel: +86-21-2226-0888, Fax: +86-21-2226-0999

Renesas Electronics Hong Kong Limited
Unit 1601-1611, 16/F., Tower 2, Grand Century Place, 193 Prince Edward Road West, Mongkok, Kowloon, Hong Kong
Tel: +852-2265-6688, Fax: +852 2886-9022

Renesas Electronics Taiwan Co., Ltd.
13F, No. 363, Fu Shing North Road, Taipei 10543, Taiwan
Tel: +886-2-8175-9600, Fax: +886 2-8175-9670

Renesas Electronics Singapore Pte. Ltd.
80 Bendemeer Road, Unit #06-02 Hyflux Innovation Centre, Singapore 339949
Tel: +65-6213-0200, Fax: +65-6213-0300

Renesas Electronics Malaysia Sdn.Bhd.
Unit 1207, Block B, Menara Amcorp, Amcorp Trade Centre, No. 18, Jln Persiaran Barat, 46050 Petaling Jaya, Selangor Darul Ehsan, Malaysia
Tel: +60-3-7955-9390, Fax: +60-3-7955-9510

Renesas Electronics India Pvt. Ltd.
No.777C, 100 Feet Road, HAL II Stage, Indiranagar, Bangalore, India
Tel: +91-80-67208700, Fax: +91-80-67208777

Renesas Electronics Korea Co., Ltd.
12F., 234 Teheran-ro, Gangnam-Gu, Seoul, 135-080, Korea
Tel: +82-2-558-3737, Fax: +82-2-558-5141