



RB160M-60

Preliminary

DIODE

SCHOTTKY BARRIER DIODE

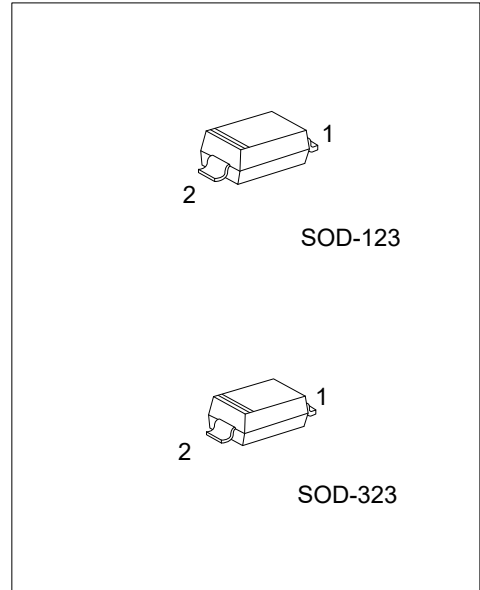
DESCRIPTION

The UTC **RB160M-60** is a schottky barrier diode, it uses UTC's advanced technology to provide customers with low reverse current and high reliability etc.

The UTC **RB160M-60** is suitable for general rectification.

FEATURES

- * Low reverse current
- * High reliability



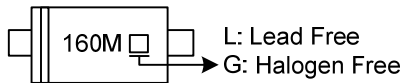
ORDERING INFORMATION

Ordering Number		Package	Pin Assignment		Packing
Lead Free	Halogen Free		1	2	
RB160ML-60-CA2-R	RB160MG-60-CA2-R	SOD-123	A	K	Tape Reel
RB160ML-60-CB2-R	RB160MG-60-CB2-R	SOD-323	A	K	Tape Reel

Note: Pin Assignment: A: Anode K: Cathode

<p>RB160MG-60-CA2-R</p> <p>(1)Packing Type (2)Package Type (3)Green Package</p>	<p>(1) R: Tape Reel (2) CA2 : SOD-123, CB2: SOD-323 (3) G: Halogen Free and Lead Free, L: Lead Free</p>
---	---

MARKING



■ ABSOLUTE MAXIMUM RATINGS ($T_A=25^\circ\text{C}$, unless otherwise specified)

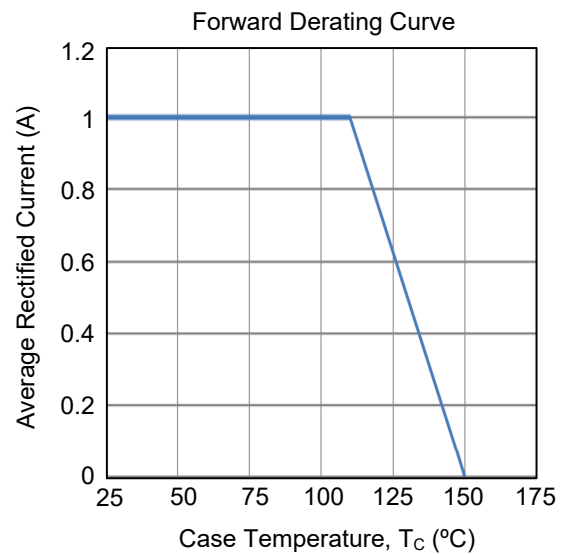
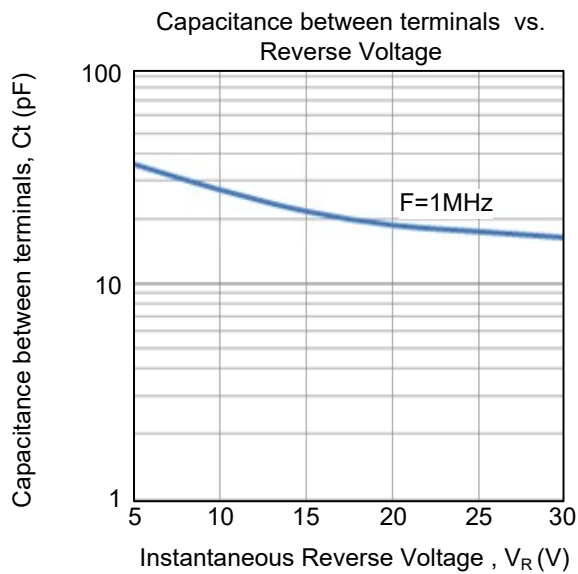
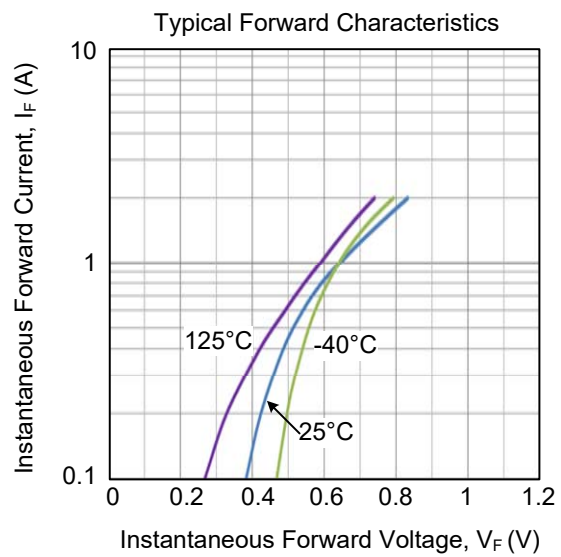
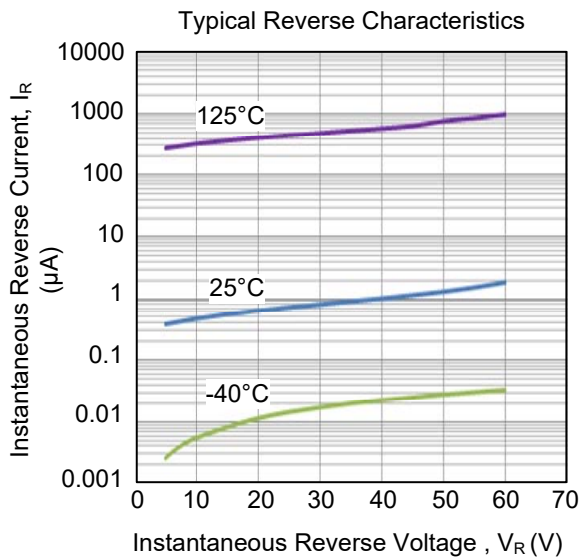
PARAMETER	SYMBOL	RATINGS	UNIT
Reverse Voltage (DC)	V_R	60	V
Reverse Voltage (Repetitive Peak)	V_{RM}	60	V
Average Rectified Forward Current (Note 1)	I_O	1.0	A
Forward Current Surge Peak (60Hz/1cyc.)	I_{FSM}	5.0	A
Operating Junction Temperature	T_J	150	$^\circ\text{C}$
Storage Temperature	T_{STG}	-40 ~ +150	$^\circ\text{C}$

Notes: 1. Absolute maximum ratings are those values beyond which the device could be permanently damaged. Absolute maximum ratings are stress ratings only and functional device operation is not implied.
2. Glass epoxy substrate at the time of assembler, half sine wave at 180.

■ ELECTRICAL CHARACTERISTICS ($T_A=25^\circ\text{C}$, unless otherwise specified)

PARAMETER	SYMBOL	TEST CONDITIONS	MIN	TYP	MAX	UNIT
Forward Voltage	V_F	$I_F=1.0\text{A}$			0.67	V
Reverse Current	I_R	$V_R=60\text{V}$			50	μA
Capacitance between terminals	C_T	$V_R=10\text{V}$, $f=1\text{MHz}$		40		pF

■ TYPICAL CHARACTERISTICS



UTC assumes no responsibility for equipment failures that result from using products at values that exceed, even momentarily, rated values (such as maximum ratings, operating condition ranges, or other parameters) listed in products specifications of any and all UTC products described or contained herein. UTC products are not designed for use in life support appliances, devices or systems where malfunction of these products can be reasonably expected to result in personal injury. Reproduction in whole or in part is prohibited without the prior written consent of the copyright owner. UTC reserves the right to make changes to information published in this document, including without limitation specifications and product descriptions, at any time and without notice. This document supersedes and replaces all information supplied prior to the publication hereof.