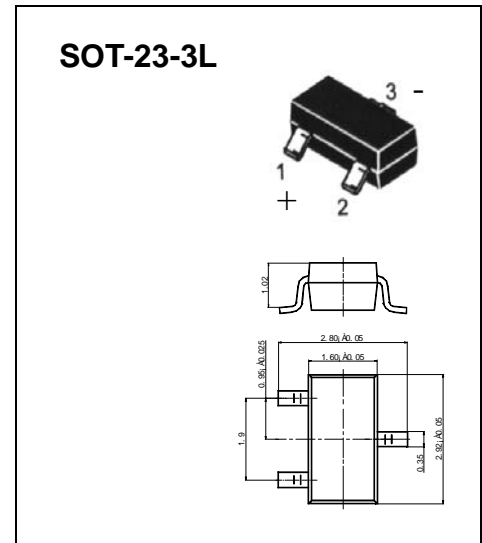


RB400D Schottky barrier Diodes

FEATURES

- Small surface mounting type
- Low reverse current and low forward voltage
- High reliability

Marking: D3A



Maximum Ratings and Electrical Characteristics, Single Diode @T_A=25°C

Parameter	Symbol	Limits	Unit
Peak reverse voltage	V _{RM}	40	V
DC reverse voltage	V _R	40	V
Mean rectifying current	I _O	500	mA
Peak forward surge current	I _{FSM}	3	A
Junction temperature	T _j	125	°C
Storage temperature	T _{stg}	-40~+125	°C

Electrical Ratings @T_A=25°C

Parameter	Symbol	Min.	Typ.	Max.	Unit	Conditions
Forward voltage	V _F			0.55	V	I _F =0.5A
Reverse current	I _{R1}			50	μA	V _R =30V
	I _{R2}			30	μA	V _R =10V
Capacitance between terminals	C _T		125		pF	V _R =0V, f=1MHZ
	C _T		20		pF	V _R =10V, f=1MHZ