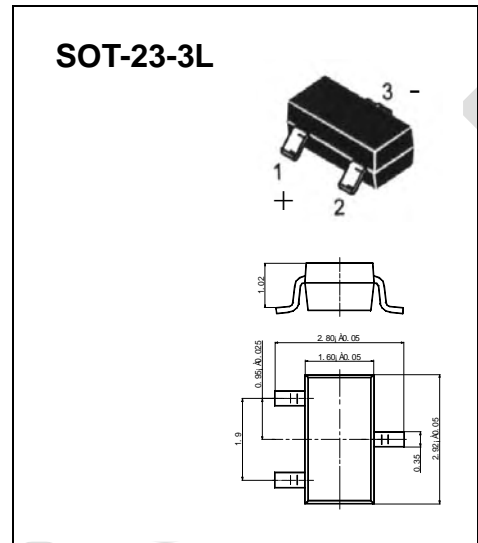


RB491D Schottky barrier Diodes

FEATURES

- Small surface mounting type
- Low reverse current and low forward voltage
- High reliability

Marking: D2D



Maximum Ratings and Electrical Characteristics, Single Diode @T_A=25°C

Parameter	Symbol	Limits	Unit
Peak reverse voltage	V _{RM}	40	V
DC reverse voltage	V _R	40	V
Mean rectifying current	I _O	100	mA
Peak forward surge current	I _{FSM}	1	A
Junction temperature	T _j	125	°C
Storage temperature	T _{stg}	-40~+125	°C

Electrical Ratings @T_A=25°C

Parameter	Symbol	Min.	Typ.	Max.	Unit	Conditions
Forward voltage	V _{F1}			0.53	V	I _F =1A
Reverse current	I _R			100	μA	V _R =40V