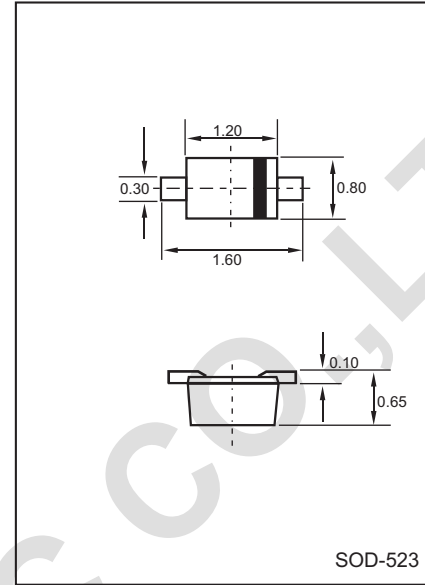


## RB520S-30 Schottky barrier Diodes

### FEATURES

- Small surface mounting type
- Low reverse current and low forward voltage
- High reliability



### Maximum Ratings and Electrical Characteristics, Single Diode @T<sub>A</sub>=25°C

Parameter	Symbol	Limits	Unit
DC reverse voltage	V <sub>R</sub>	30	V
Mean rectifying current	I <sub>O</sub>	200	mA
Peak forward surge current	I <sub>FSM</sub>	1	A
Junction temperature	T <sub>j</sub>	125	°C
Storage temperature	T <sub>stg</sub>	-45~+125	°C

### Electrical Ratings @T<sub>A</sub>=25°C

Parameter	Symbol	Min.	Typ.	Max.	Unit	Conditions
Forward voltage	V <sub>F</sub>			0.6	V	I <sub>F</sub> =200mA
Reverse current	I <sub>R</sub>			1.0	μ A	V <sub>R</sub> =10V

FIG. 1 - FORWARD CHARACTERISTICS

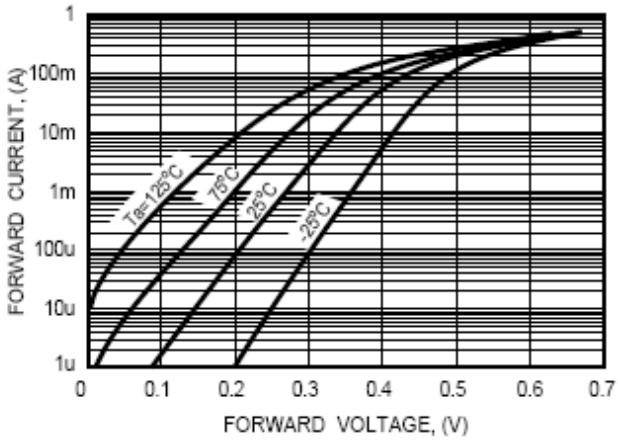


FIG. 2 - REVERSE CHARACTERISTICS

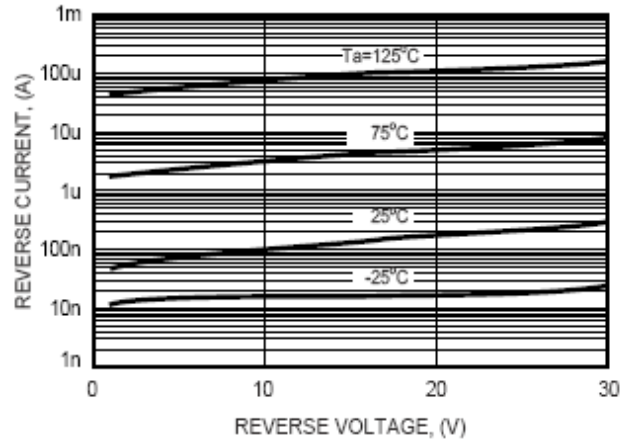


FIG. 3 - TYPICAL JUNCTION CAPACITANCE

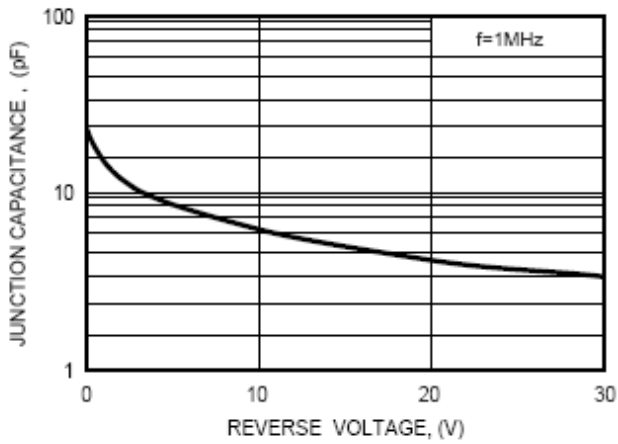


FIG. 4 - TYPICAL FORWARD CURRENT DERATING CURVE

