

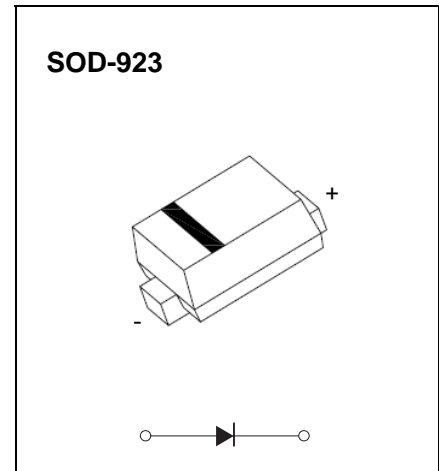
## SOD-923 Plastic-Encapsulate Diodes

**RB521CS-30** Schottky barrier diode

### FEATURES

- Low reverse current and low forward voltage
- High reliability

**MARKING: F**



### Maximum Ratings (T<sub>a</sub>=25°C)

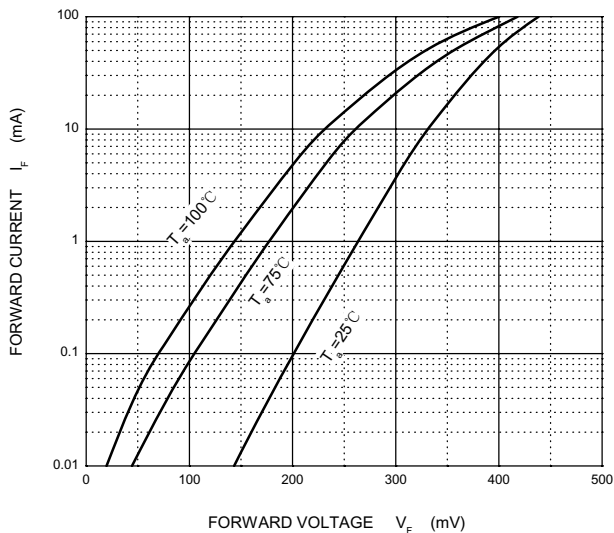
Parameter	Symbol	Limit	Unit
DC reverse voltage	V <sub>R</sub>	30	V
Mean rectifying current	I <sub>O</sub>	100	mA
Peak forward surge current @t=8.3ms	I <sub>FSM</sub>	0.5	A
Power dissipation	P <sub>D</sub>	100	mW
Thermal Resistance Junction to Ambient	R <sub>θJA</sub>	1000	°C/W
Junction temperature	T <sub>J</sub>	125	°C
Storage temperature	T <sub>stg</sub>	-50~+150	°C

### Electrical characteristic (T<sub>a</sub>=25°C)

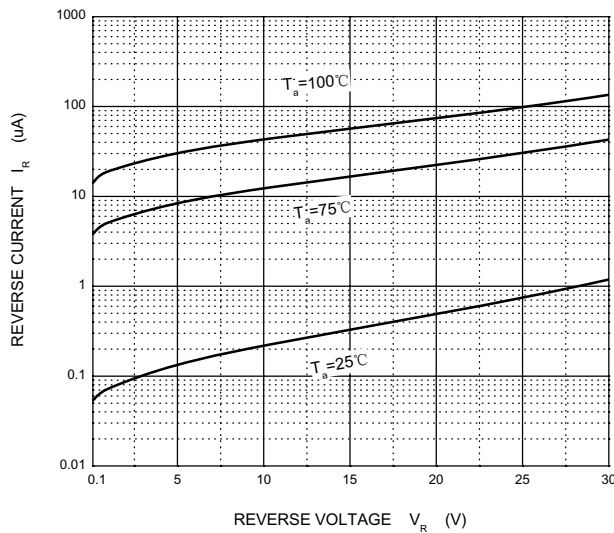
Parameter	Symbol	Min	Typ	Max	Unit	Conditions
Forward voltage	V <sub>F1</sub>			0.37	V	I <sub>F1</sub> =10mA
	V <sub>F2</sub>			0.5		I <sub>F2</sub> =100mA
Reverse current	I <sub>R</sub>			2	μA	V <sub>R1</sub> =10V

# Typical Characteristics

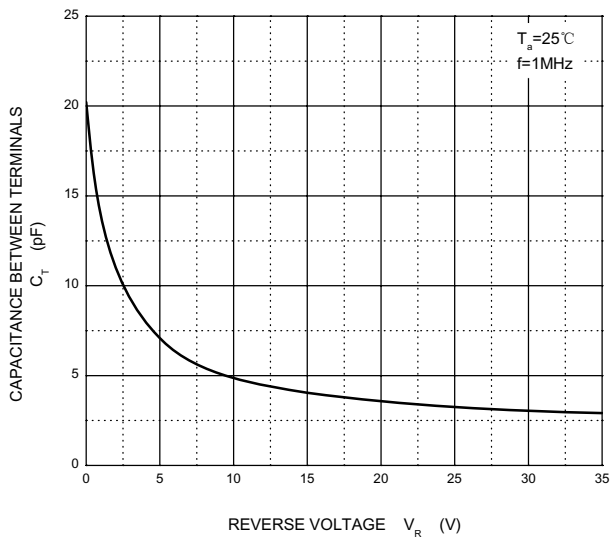
**Forward Characteristics**



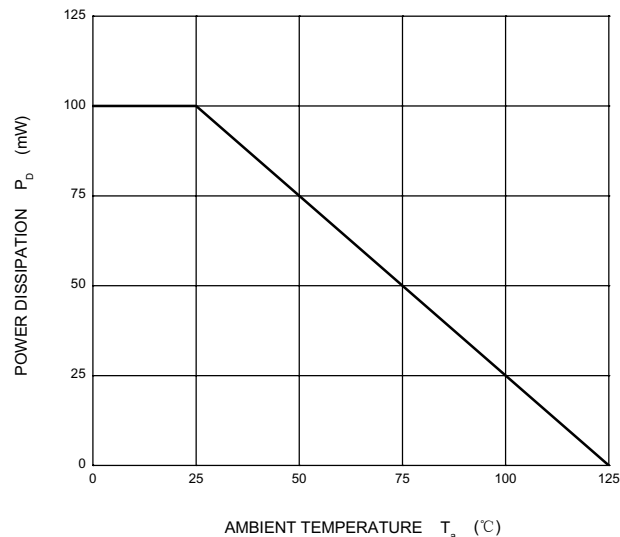
**Reverse Characteristics**



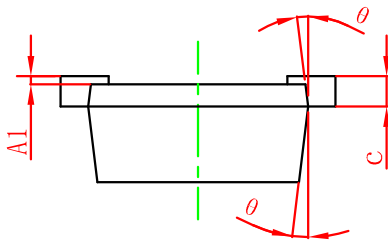
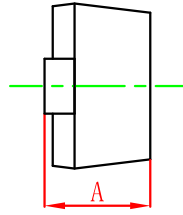
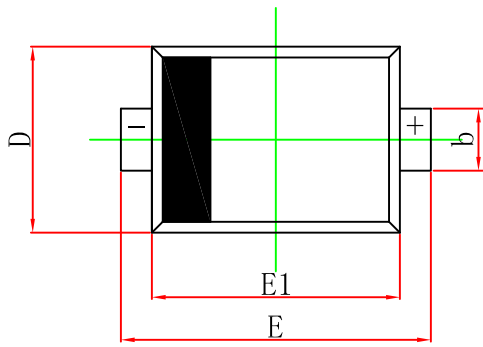
**Capacitance Characteristics**



**Power Derating Curve**

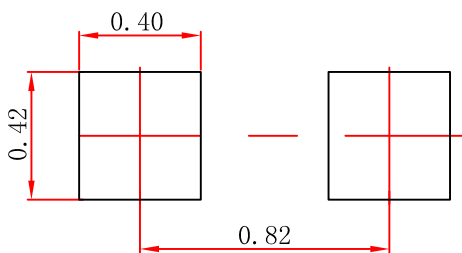


## SOD-923 Package Outline Dimensions



Symbol	Dimensions In Millimeters		Dimensions In Inches	
	Min.	Max.	Min.	Max.
A	0.350	0.430	0.014	0.017
A1	0.000	0.050	0.000	0.002
b	0.170	0.270	0.007	0.011
c		0.150		0.006
D	0.550	0.650	0.022	0.026
E	0.900	1.100	0.035	0.043
E1	0.750	0.850	0.030	0.033
θ	7° REF.		7° REF.	

## SOD-923 Suggested Pad Layout



### Note:

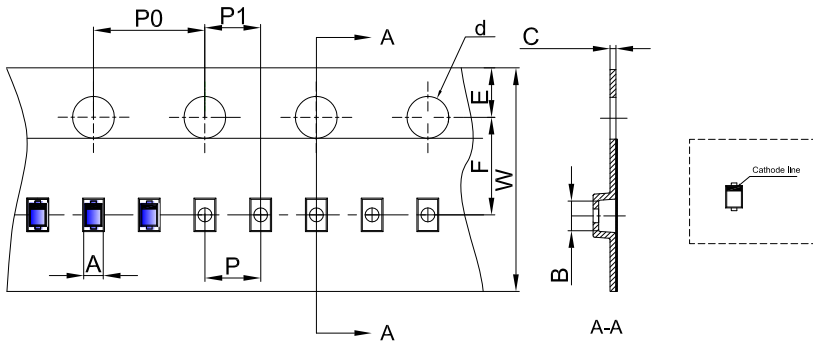
1. Controlling dimension: in millimeters.
2. General tolerance:  $\pm 0.05\text{mm}$ .
3. The pad layout is for reference purposes only.

### NOTICE

JCET reserve the right to make modifications, enhancements, improvements, corrections or other changes without further notice to any product herein. JCET does not assume any liability arising out of the application or use of any product described herein.

# SOD-923 Tape and Reel

## SOD-923 Embossed Carrier Tape



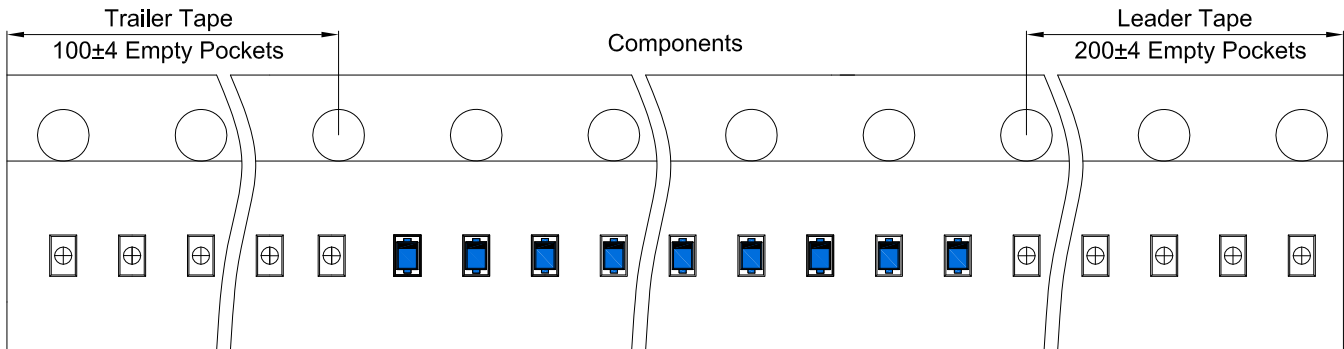
### Packaging Description:

SOD-923 parts are shipped in tape. The carrier tape is made from a dissipative (carbon filled) polycarbonate resin. The cover tape is a multilayer film (Heat Activated Adhesive in nature) primarily composed of polyester film, adhesive layer, sealant, and anti-static sprayed agent. These reeled parts in standard option are shipped with 8,000 units per 7" or 17.8cm diameter reel. The reels are clear in color and is made of polystyrene plastic (anti-static coated).

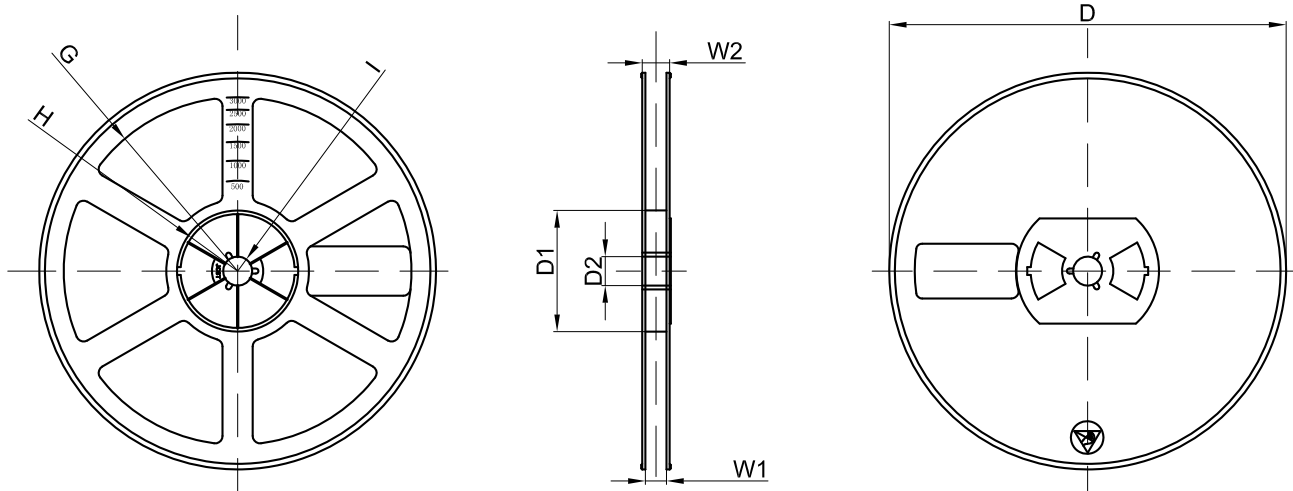
Note: If it is the product of the same polarity, the cathode line should be removed.

Dimensions are in millimeter										
Pkg type	A	B	C	d	E	F	P0	P	P1	W
SOD-923	0.7	1.12	0.23	Ø1.50	1.75	3.50	4.00	2.00	2.00	8.00

## SOD-923 Tape Leader and Trailer



## SOD-923 Reel



Dimensions are in millimeter								
Reel Option	D	D1	D2	G	H	I	W1	W2
7" Dia	Ø178.00	54.40	13.00	R78.00	R25.60	R6.50	9.50	12.30

REEL	Reel Size	Box	Box Size(mm)	Carton	Carton Size(mm)	G.W.(kg)
8000 pcs	7 inch	120,000 pcs	203×203×195	480,000 pcs	438×438×220	