

# SMD Schottky Barrier Diode



## RB521G30-G (RoHS Device)

**Reverse Voltage: 30 Volts**

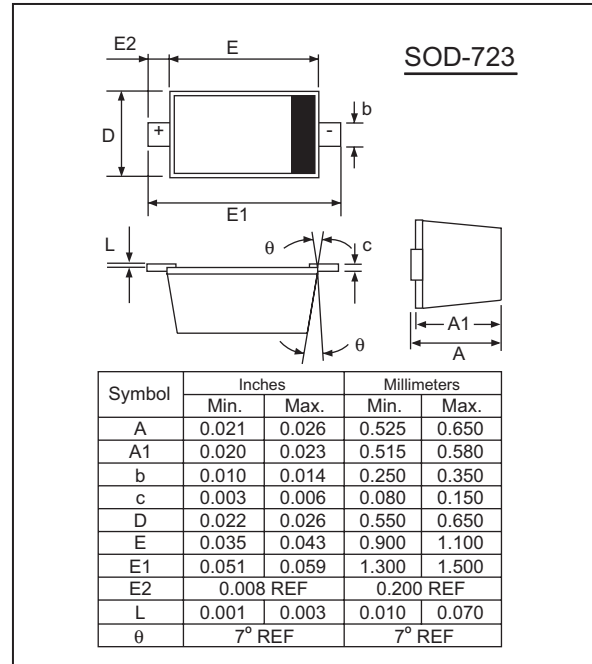
**Forward Current: 100 mA**

### Features:

- Small Surface Mounting Type
- High Reliability

### Mechanical Data:

- Case: Molded plastic SOD-723
- Terminals: Solderable per MIL-STD-750, Method 2026.1.
- Polarity: Indicated by cathode band.
- Mounting position: Any.
- Marking: F



### Maximum Ratings (at $T_A=25^\circ\text{C}$ unless otherwise specified)

Parameter	Symbol	Limits	Unit
DC reverse voltage	$V_R$	30	V
Mean rectifying current	$I_o$	100	mA
Peak forward surge current	$I_{FSM}$	1	A
Junction temperature	$T_J$	125	$^\circ\text{C}$
Storage temperature	$T_{stg}$	-40~+125	$^\circ\text{C}$

### Electrical Ratings (at $T_A=25^\circ\text{C}$ unless otherwise specified)

Parameter	Symbol	Min.	Typ.	Max.	Unit	Conditions
Forward voltage	$V_F$			0.35	V	$I_F=10\text{mA}$
Reverse current	$I_R$			10	$\mu\text{A}$	$V_R=10\text{V}$



## RB521G30-G (RoHS Device)

### Electrical Characteristic Curves (RB521G30-G)

Fig. 1 Forward Characteristics

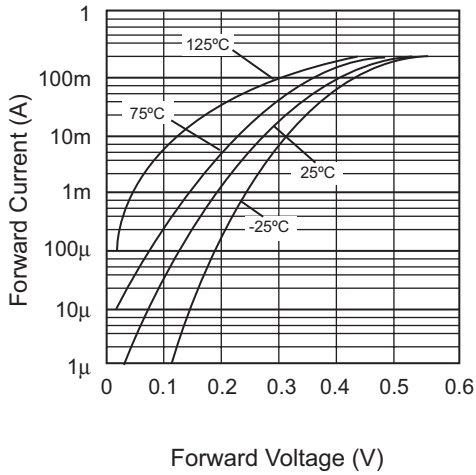


Fig. 2 Reverse Characteristics

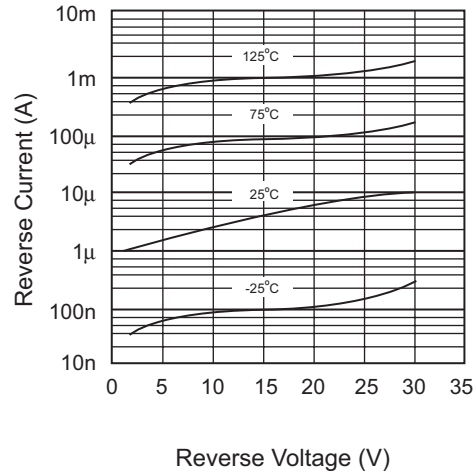


Fig. 3 Capacitance between Characteristics

