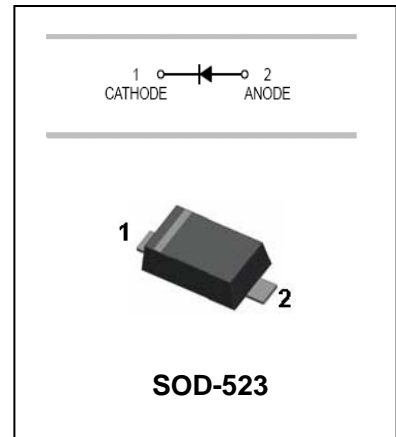


Schottky Barrier Diode

RB521S-30

FEATURES

- Low V_F .
- Extremely small mounting type.
- Small surface mounting.



APPLICATIONS

- Low current rectification and high speed switching.

ORDERING INFORMATION

Type No.	Marking	Package Code
RB521S-30	C	SOD-523

MAXIMUM RATING @ $T_a=25^\circ\text{C}$ unless otherwise specified

Parameter	Symbol	Limits	Unit
DC reverse voltage	V_R	30	V
Mean rectifying current	I_O	200	mA
Peak forward surge current	I_{FSM}	1	A
Junction temperature	T_j	125	$^\circ\text{C}$
Storage temperature	T_{stg}	-40 to +125	$^\circ\text{C}$

ELECTRICAL CHARACTERISTICS @ $T_a=25^\circ\text{C}$ unless otherwise specified

Parameter	Symbol	Min.	Typ.	Max.	Unit	Conditions
Forward voltage	V_F			0.50	V	$I_F=200\text{mA}$
Reverse current	I_R			30	μA	$V_R=10\text{V}$

Schottky Barrier Diode

RB521S-30

TYPICAL CHARACTERISTICS @ $T_a=25^\circ\text{C}$ unless otherwise specified

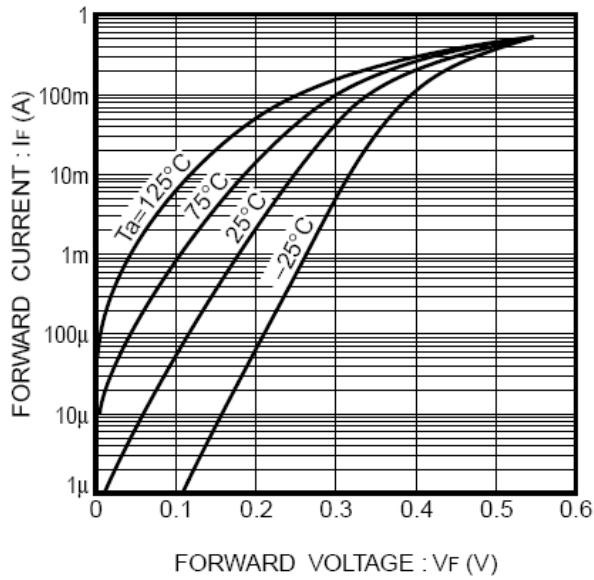


Fig. 1 Forward characteristics

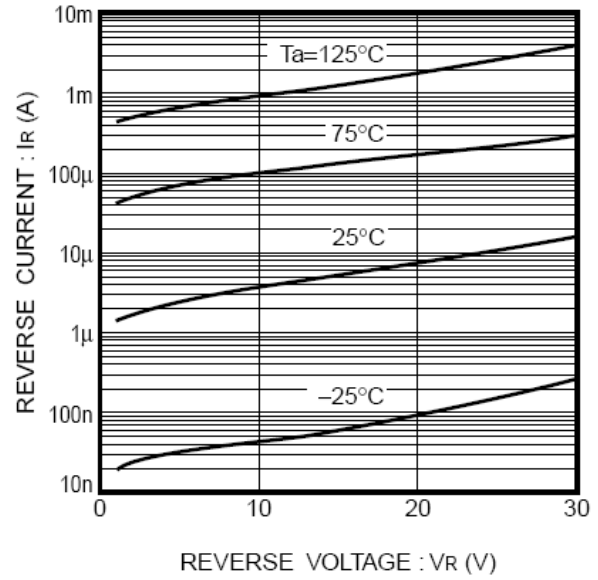


Fig. 2 Reverse characteristics

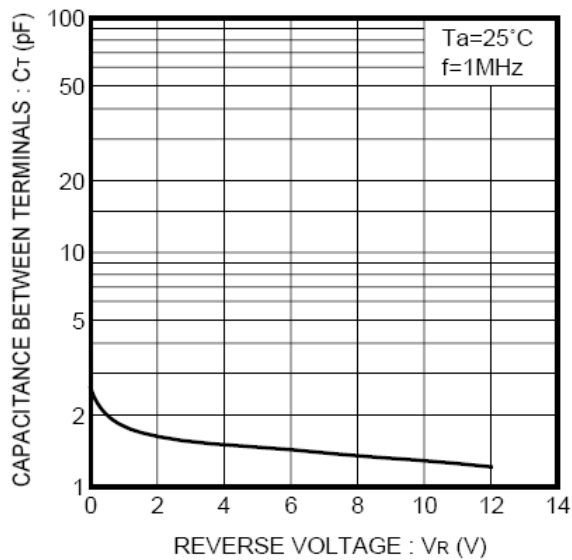


Fig. 3 Capacitance between terminals characteristics

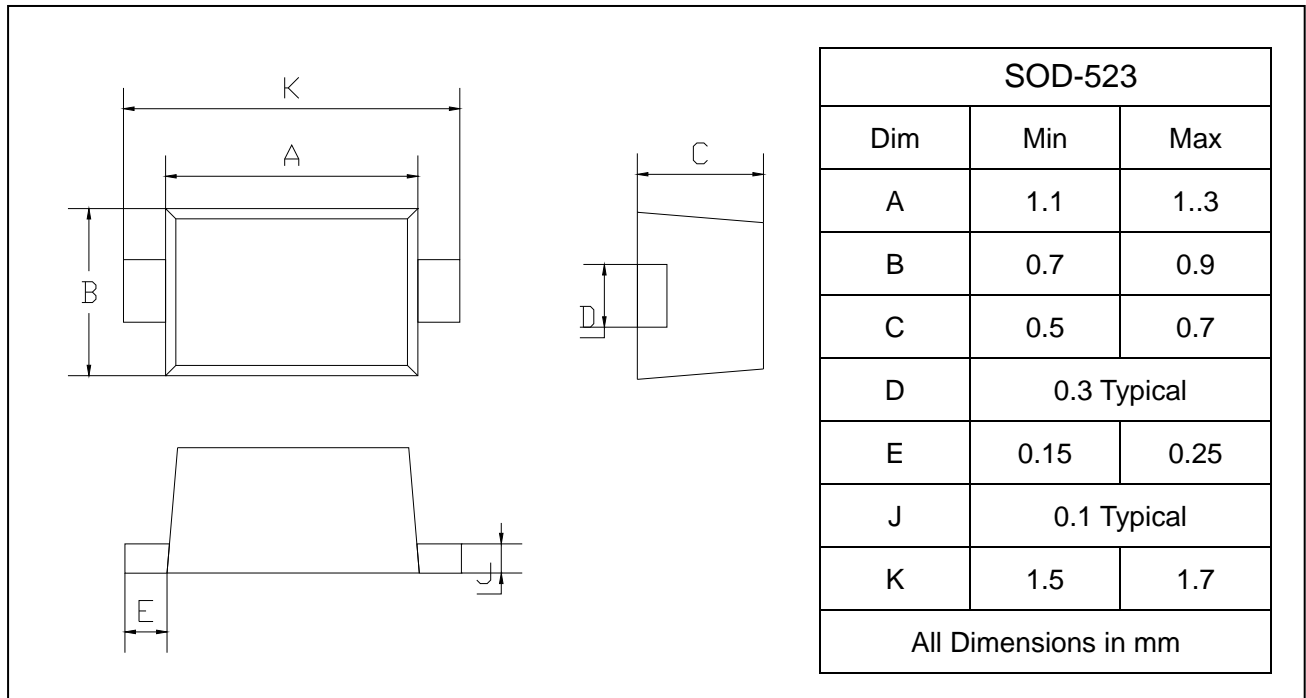
Schottky Barrier Diode

RB521S-30

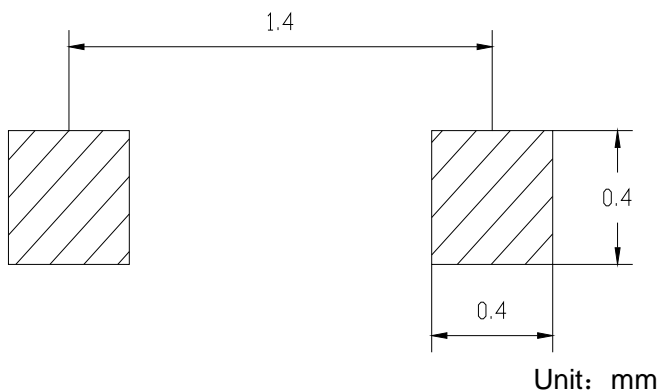
PACKAGE OUTLINE

Plastic surface mounted package

SOD-523



SOLDERING FOOTPRINT



PACKAGE INFORMATION

Device	Package	Shipping
RB521S-30	SOD-523	3000/Tape&Reel