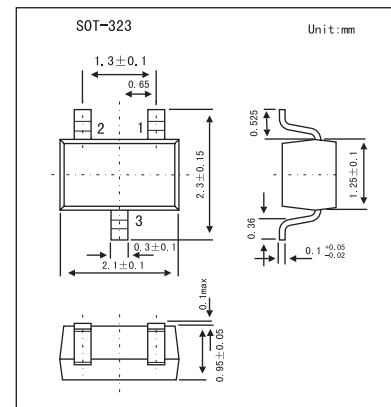


Shottky barrier diode

RB715F

■ Features

- Small mold type. (UMD3)
- High reliability.



■ Absolute Maximum Ratings Ta = 25°C

Parameter	Symbol	Limits	Unit
Reverse voltage (repetitive peak)	V _{RM}	40	V
Reverse voltage (DC)	V _R	40	V
Average rectified forward current	I _O	30	mA
Forward current surge peak (60Hz ·1cyc) *	I _{FSM}	200	mA
Junction temperature	T _j	125	°C
Storage temperature	T _{stg}	-40 to +125	°C

* Rating of per diode

■ Electrical Characteristics Ta = 25°C

Parameter	Symbol	Conditions	Min	Typ	Max	Unit
Forward voltage	V _F	I _F = 1 mA			0.37	V
Reverse current	I _R	V _R = 10 V			1	μA
Capacitance between terminals	C _t	V _R = 1 V, f = 1MHz		2.0		pF

■ Marking

Marking	3D
---------	----