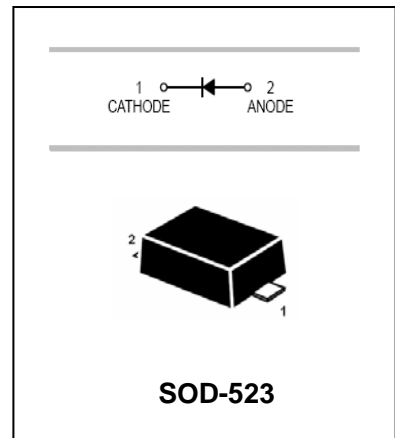


## Schottky Barrier Diode

## RB751S-40

### FEATURES

- Low reverse current and low forward voltage.
- High reliability.
- Small surface mounting type.



### APPLICATIONS

- Low current rectification and high speed switching.

### ORDERING INFORMATION

Type No.	Marking	Package Code
RB751S-40	5	SOD-523

### MAXIMUM RATING @ Ta=25°C unless otherwise specified

Parameter	Symbol	Limits	Unit
Peak reverse voltage	$V_{RM}$	40	V
DC reverse voltage	$V_R$	40	V
Mean rectifying current	$I_O$	30	mA
Peak forward surge current	$I_{FSM}$	200	mA
Junction temperature	$T_j$	125	°C
Storage temperature	$T_{stg}$	-40 to +125	°C

### ELECTRICAL CHARACTERISTICS @ Ta=25°C unless otherwise specified

Parameter	Symbol	Min.	Typ.	Max.	Unit	Conditions
Forward voltage	$V_F$			0.37	V	$I_F=1mA$
Reverse current	$I_R$			0.5	$\mu A$	$V_R=30V$
Capacitance between terminals	$C_T$		2		pF	$V_R=1V, f=1MHz$

Schottky Barrier Diode

**RB751S-40**

TYPICAL CHARACTERISTICS @ Ta=25°C unless otherwise specified

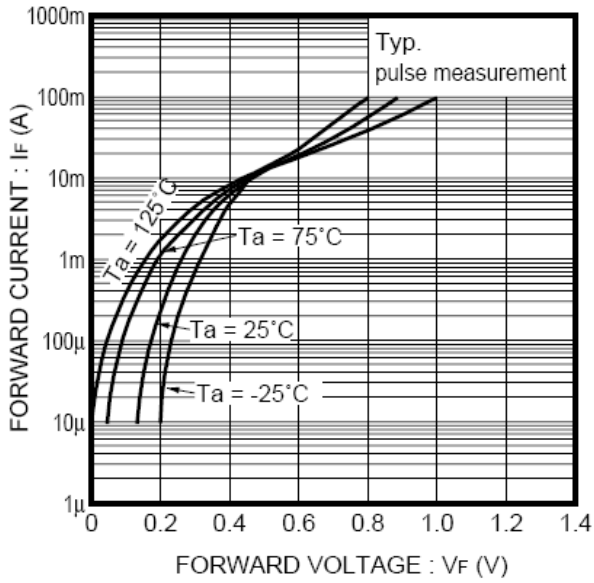


Fig. 1 Forward characteristics

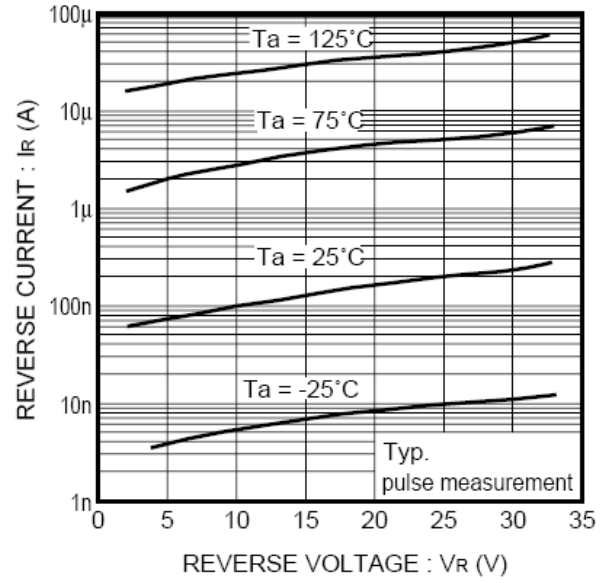


Fig. 2 Reverse characteristics

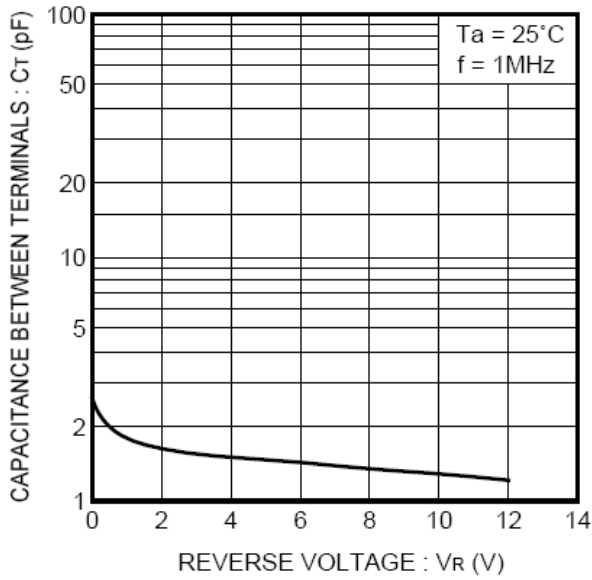


Fig. 3 Capacitance between terminals characteristics

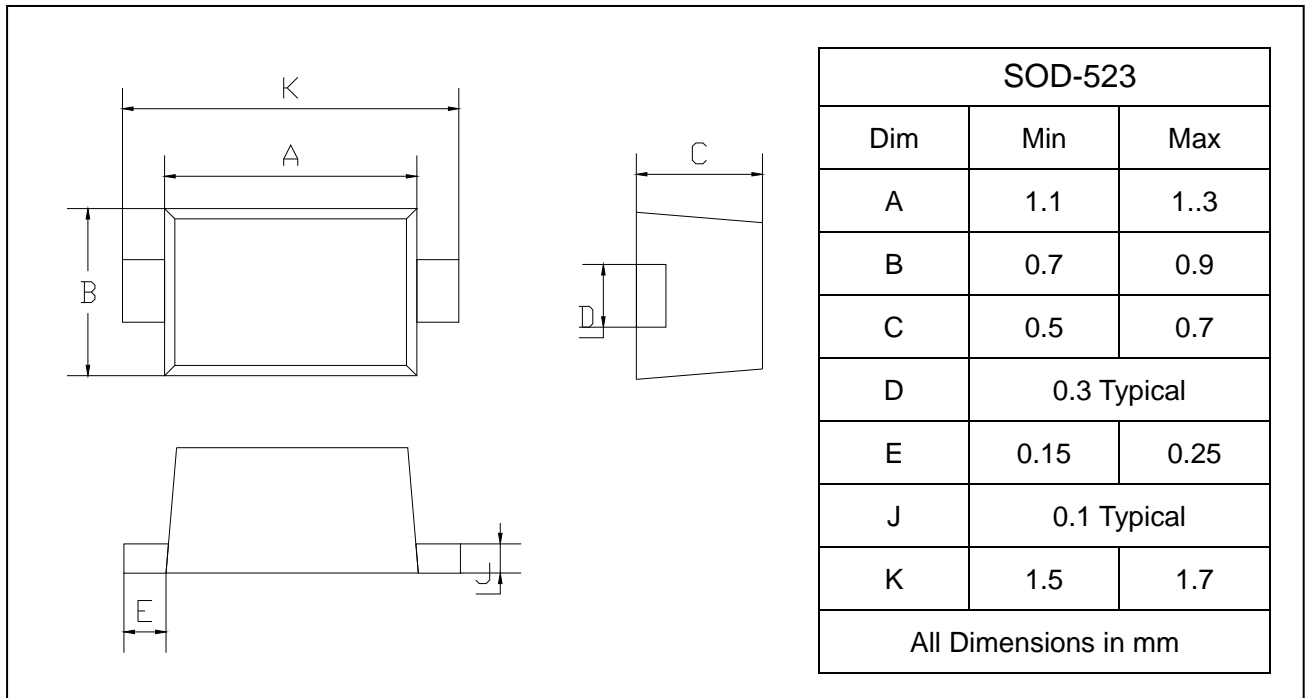
## Schottky Barrier Diode

## RB751S-40

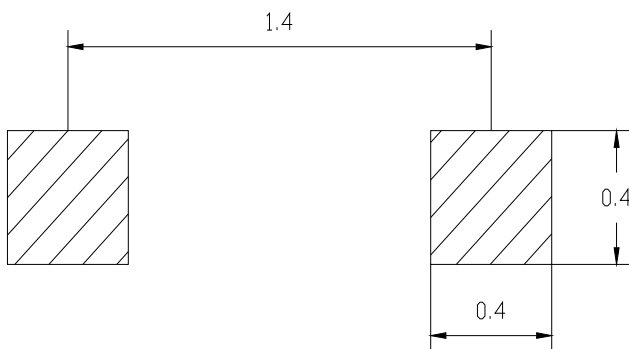
### PACKAGE OUTLINE

Plastic surface mounted package

SOD-523



### SOLDERING FOOTPRINT



Unit: mm

### PACKAGE INFORMATION

Device	Package	Shipping
RB751S-40	SOD-523	3000/Tape&Reel