

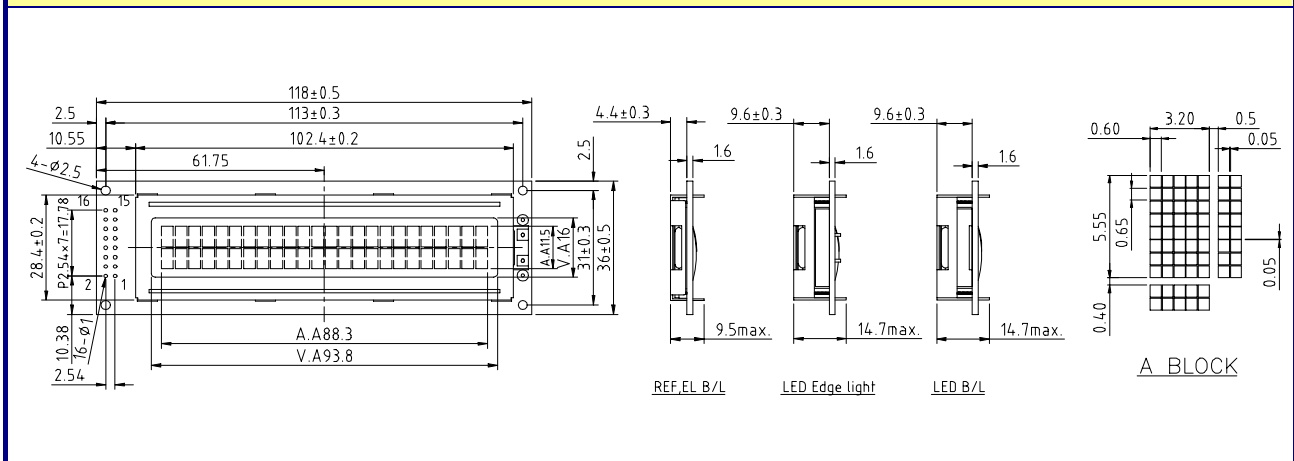
# RC series

## RC242001 24 characters x 2 lines

### Mechanical Data

Item	Standard Value	Unit
Module Dimensions	118.0(W) X 36.0(H) X 9.5 (T)	mm
Viewing Area	93.8(W) X 16.0(H)	mm
Dot Size	0.60(W) X 0.65(H)	mm
Dot Pitch	0.65(W) X 0.70(H)	mm

### External Dimensions



### Pin Assignment

No.	Symbol	Function	No.	Symbol	Function
1	V <sub>SS</sub>	GND,0V	9	DB2	Data Bus Line
2	V <sub>DD</sub>	Logic Power Supply(+5V)	10	DB3	Data Bus Line
3	V <sub>EE</sub>	For LCD Drive	11	DB4	Data Bus Line
4	RS	Data/Instruction select	12	DB5	Data Bus Line
5	R/W	Read/Write	13	DB6	Data Bus Line
6	E	Enable signal	14	DB7	Data Bus Line
7	DB0	Data Bus Line	15	LED A	LED Power Supply(+)
8	DB1	Data Bus Line	16	LED K	LED Power Supply(-)

### Block Diagram

