

RC9129 Series

[Inquiry](#)

Ferrite core with metal fitting for installation



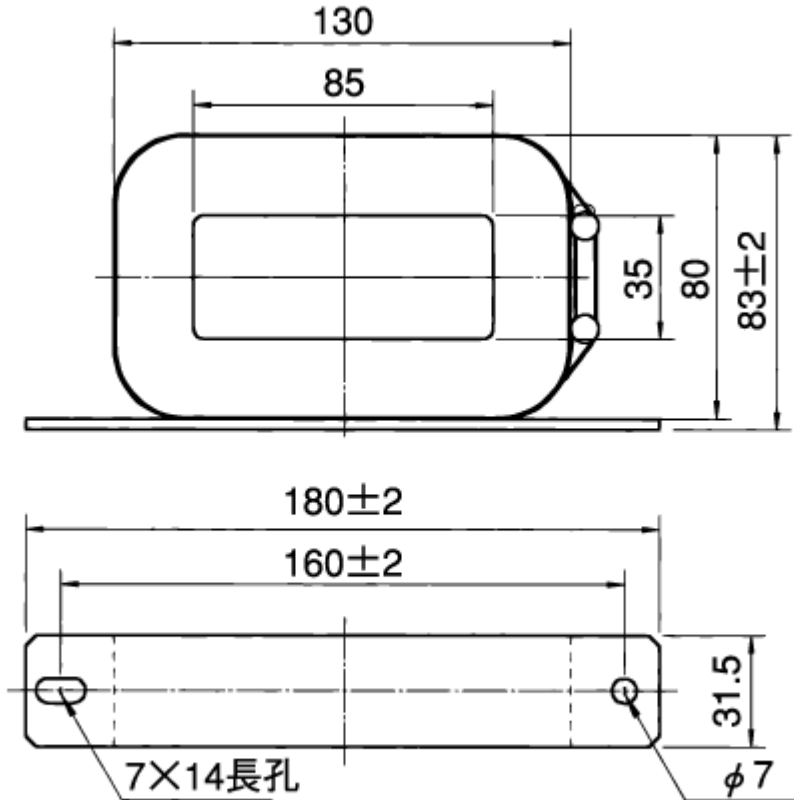
Application

Signal line/swiching power supply/inverter etc.

Specifications

Measurement temperature 23+/-2Deg.C	
Type	100KHz(uH)
RC9129	3.70-6.50
Note:Measured by YHP manufactured multi-frequency LCR meter 4284A or equivalent.	
Condition for the measurement f=100KHz,500KHz 1T 10mA through.	

Fig



Frequency Data

