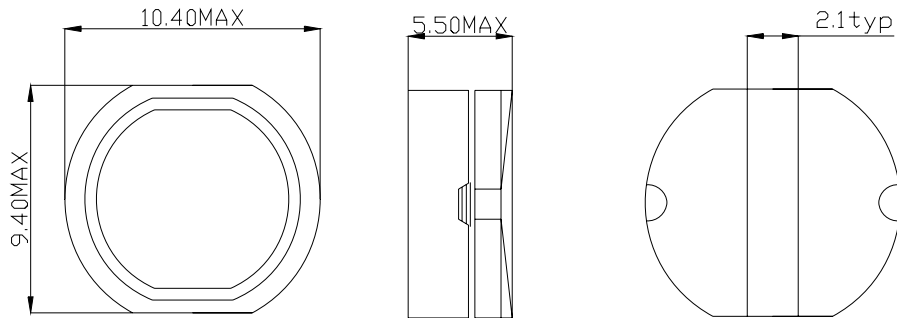


型名: RCD 105B

## 1.尺寸(毫米)



## 2. 技术参数

| NO. | 品名            | 电感( $\mu$ H) | 电阻 (m $\Omega$ ) (MAX) | 额定电流 (A) |
|-----|---------------|--------------|------------------------|----------|
| 1   | RCD 105B -100 | 10           | 62                     | 2.04     |
| 2   | RCD 105B -120 | 12           | 70                     | 1.92     |
| 3   | RCD 105B -150 | 15           | 70                     | 1.72     |
| 4   | RCD 105B -180 | 18           | 80                     | 1.58     |
| 5   | RCD 105B-210  | 21           | 80                     | 1.44     |
| 6   | RCD 105B -220 | 22           | 80                     | 1.42     |
| 7   | RCD 105B -270 | 27           | 102                    | 1.32     |
| 8   | RCD 105B -330 | 33           | 110                    | 1.16     |
| 9   | RCD 105B -390 | 39           | 120                    | 1.08     |
| 10  | RCD 105B-470  | 47           | 140                    | 1.00     |
| 11  | RCD 105B-560  | 56           | 190                    | 0.93     |
| 12  | RCD 105B-680  | 68           | 210                    | 0.85     |
| 13  | RCD 105B-820  | 82           | 280                    | 0.77     |
| 14  | RCD 105B-101  | 100          | 340                    | 0.72     |
| 15  | RCD 105B-121  | 120          | 370                    | 0.63     |
| 16  | RCD 105B-151  | 150          | 510                    | 0.55     |
| 17  | RCD 105B-181  | 180          | 570                    | 0.51     |
| 18  | RCD 105B-221  | 220          | 780                    | 0.47     |
| 19  | RCD 105B-271  | 270          | 870                    | 0.41     |
| 20  | RCD 105B-331  | 330          | 1200                   | 0.36     |
| 21  | RCD 105B-391  | 390          | 1340                   | 0.34     |
| 22  | RCD 105B-471  | 470          | 1500                   | 0.33     |

无铅

测定频率 100kHz

电感公差范围 ( $\pm 30\%$ )

额定电流: 指电感值减小到原值 65%时的电流。