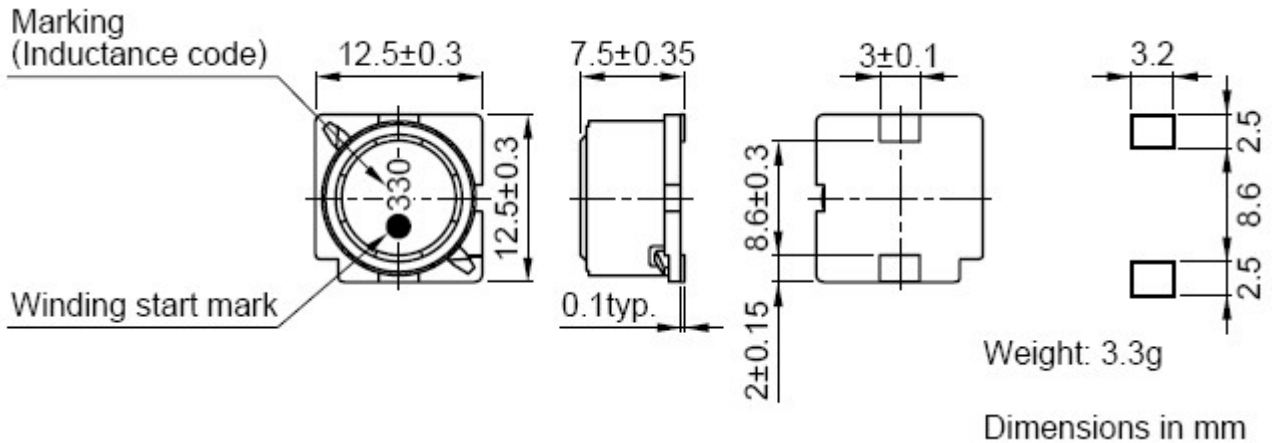


型名: RCDC 12575

1、尺寸(毫米)



2. 技术参数

NO.	品名	电感(μ H)	电阻 (m Ω) (MAX)	额定电流 (A)
1	RCDC 12575-1R2	1.2	6.9	11.8
2	RCDC 12575-2R7	2.7	9.4	10
3	RCDC 12575-3R9	3.9	10.6	9
4	RCDC 12575-5R6	5.6	11.8	7.6
5	RCDC 12575-6R8	6.8	13.1	7.2
6	RCDC 12575-100	10	15.8	5.3
7	RCDC 12575-150	15	18.4	4.7
8	RCDC 12575-220	22	26.3	4
9	RCDC 12575-330	33	39.7	3.0
10	RCDC 12575-470	47	52.8	2.7
11	RCDC 12575-680	68	77.8	2
12	RCDC 12575-101	100	126	1.8
13	RCDC 12575-151	150	175	1.5
14	RCDC 12575-221	220	260	1.2



无铅

测定频率 100kHz

电感公差范围 ($\pm 30\%$)

额定电流: 指电感值减小到原值 65%时的电流.