

#### PROTECTION PRODUCTS - RailClamp®

#### Description

RailClamp® is a low capacitance TVS array designed to protect high speed data interfaces. This series has been specifically designed to protect sensitive components which are connected to data and transmission lines from overvoltage caused by **ESD** (electrostatic discharge), **CDE** (Cable Discharge Events), and **EFT** (electrical fast transients).

The RClamp3654P is specifically designed to protect portable devices that utilize the USB port for battery charging. The unique design of this device features low capacitance TVS diodes for protection of the USB data (DP, DM) and USB ID (accessory detect) pins operating up to 5 volts. Loading capacitance on these lines is <0.1pF for maximum signal integrity. An integrated 28 volt TVS diode is used for protection of the USB voltage bus. This ensures the device will remain in a high-impedance state during normal USB operation or when the battery is being charged. Leakage current of the VBus protection is <100nA when operating at 28 volts.

The RClamp3654P is in a 6-pin, RoHS compliant, SLP1616P6 package. It measures 1.6 x 1.6 x 0.60mm. The leads are spaced at a pitch of 0.5mm and are finished with lead-free NiPdAu. They may be used to meet the ESD immunity requirements of IEC 61000-4-2, Level 4 (15kV air, 8kV contact discharge).

#### Features

- ◆ Transient protection for high-speed data lines to **IEC 61000-4-2 (ESD) ±15kV (air), ±8kV (contact) IEC 61000-4-4 (EFT) 40A (5/50ns)**
- ◆ Array of surge rated diodes with internal TVS Diode
- ◆ Small package (1.6 x 1.6mm) saves board space
- ◆ Protects USB DP, DM, and ID Pin operating up to 5.5V
- ◆ Protects USB VBus operating up to 28V
- ◆ Low capacitance (**<1pF**) on DP, DM, and ID Pins
- ◆ No insertion loss to **2.0GHz**
- ◆ Low leakage current
- ◆ Low clamping voltage
- ◆ Large ground pad for increased ESD performance
- ◆ Solid-state silicon-avalanche technology

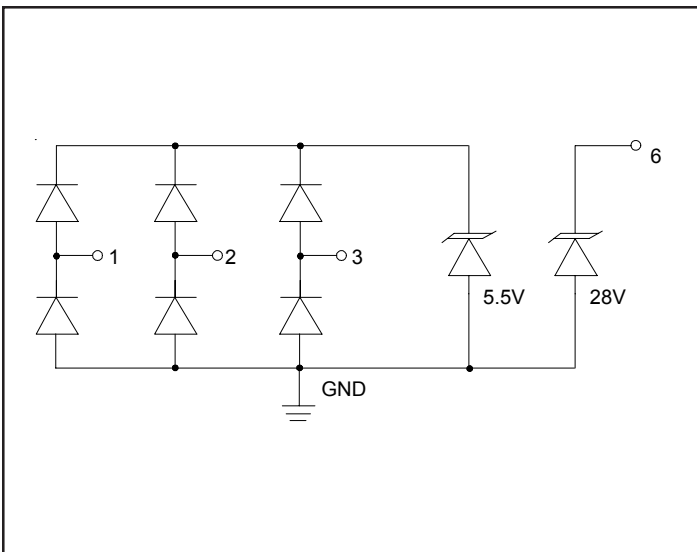
#### Mechanical Characteristics

- ◆ SLP1616P6 6L package
- ◆ RoHS/WEEE Compliant
- ◆ Nominal Dimensions: 1.6 x 1.6 x 0.60 mm
- ◆ Lead Finish: NiPdAu
- ◆ Molding compound flammability rating: UL 94V-0
- ◆ Marking : Marking code + two character date code
- ◆ Packaging : Tape and Reel

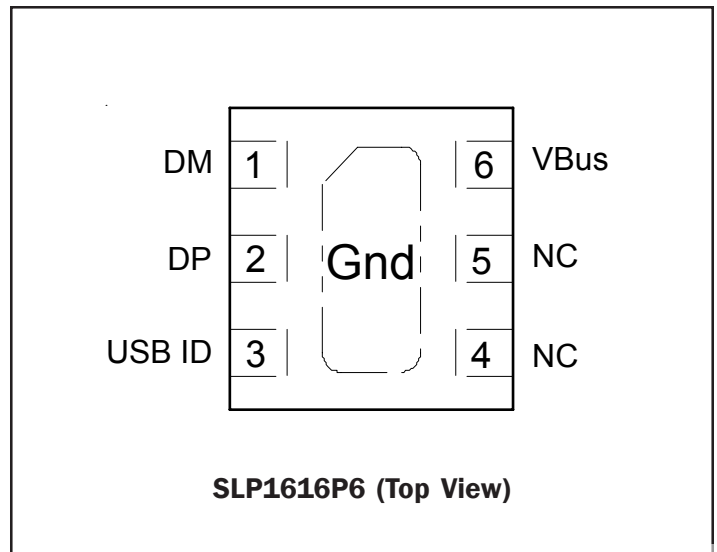
#### Applications

- ◆ USB 2.0
- ◆ USB OTG

#### Circuit Diagram



#### PIN Configuration



## PROTECTION PRODUCTS

### Absolute Maximum Rating

Rating	Symbol	Value	Units
<b>DP, DM, USB ID (Pins 1, 2, 3)</b>			
Peak Pulse Power (tp = 8/20μs)	$P_{pk}$	100	Watts
Peak Pulse Current (tp = 8/20μs)	$I_{PP}$	3	A
ESD per IEC 61000-4-2 (Air) ESD per IEC 61000-4-2 (Contact)	$V_{ESD}$	±15 ±8	kV
Operating Temperature	$T_J$	-55 to +125	°C
Storage Temperature	$T_{STG}$	-55 to +150	°C
<b>VBus (Pin 6)</b>			
Peak Pulse Power (tp = 8/20μs)	$P_{pk}$	350	Watts
Peak Pulse Current (tp = 8/20μs)	$I_{PP}$	4	A
ESD per IEC 61000-4-2 (Air) ESD per IEC 61000-4-2 (Contact)	$V_{ESD}$	±15 ±8	kV
Operating Temperature	$T_J$	-55 to +125	°C
Storage Temperature	$T_{STG}$	-55 to +150	°C

## PROTECTION PRODUCTS

### Electrical Characteristics (T = 25°C)

DM, DP, USB ID TVS (Pins 1, 2, 3)						
Parameter	Symbol	Conditions	Minimum	Typical	Maximum	Units
Reverse Stand-Off Voltage	$V_{RWM}$	Pin 1, 2, or 3 to GND			5.5	V
Reverse Breakdown Voltage	$V_{BR}$	$I_t = 1mA$ , Pin 1, 2, or 3 to GND	6.5	8	10	V
Reverse Leakage Current	$I_R$	$V_{RWM} = 5.5V$ , Pin 1, 2, or 3 to GND		0.100	1	$\mu A$
Forward Voltage	$V_F$	$I_f = 15mA$ GND to Pin 1, 2, or 3	0.6		1.2	V
Clamping Voltage	$V_C$	$I_{PP} = 1A$ , $t_p = 8/20\mu s$ Pin 1, 2, or 3 to GND			15	V
Clamping Voltage	$V_C$	$I_{PP} = 3A$ , $t_p = 8/20\mu s$ Pin 1, 2, or 3 to GND			30	V
Junction Capacitance	$C_j$	$V_R = 0V$ , $f = 1MHz$ , Pin 1, 2, or 3 to GND		0.8	0.95	pF
		$V_R = 0V$ , $f = 1MHz$ , Between I/O pins			0.5	pF

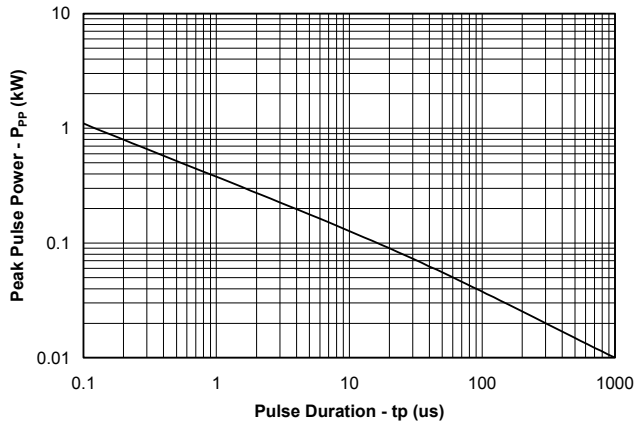
**PROTECTION PRODUCTS**
**Electrical Characteristics (T = 25°C)**

<b>VBus TVS (Pin 6)</b>						
<b>Parameter</b>	<b>Symbol</b>	<b>Conditions</b>	<b>Minimum</b>	<b>Typical</b>	<b>Maximum</b>	<b>Units</b>
Reverse Stand-Off Voltage	$V_{RWM}$	Pin 6 to GND			28	V
Reverse Breakdown Voltage	$V_{BR}$	$I_t = 1mA$ , Pin 6 to GND	32	36	40	V
Reverse Leakage Current	$I_R$	$V_{RWM} = 28V$ Pin 6 to GND			0.250	$\mu A$
Forward Voltage	$V_F$	$I_f = 10mA$ GND to Pin 6	0.6		1.0	V
Forward Clamping Voltage	$V_{FC}$	$I_{PP} = 10A$ , $t_p = 8/20\mu s$ Ground to Pin 6			3	V
Clamping Voltage	$V_C$	$I_{PP} = 1A$ , $t_p = 8/20\mu s$ Pin 6 to Ground			48	V
Junction Capacitance	$C_j$	$V_R = 0V$ , $f = 1MHz$ Pin 6 to GND			100	pF

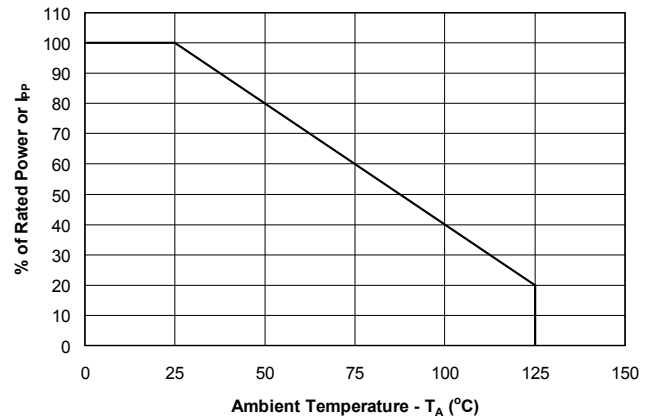
## PROTECTION PRODUCTS

### Typical Characteristics

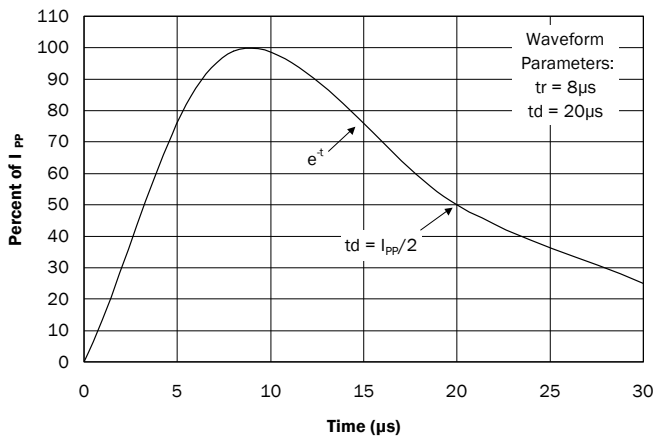
#### Non-Repetitive Peak Pulse Power vs. Pulse Time



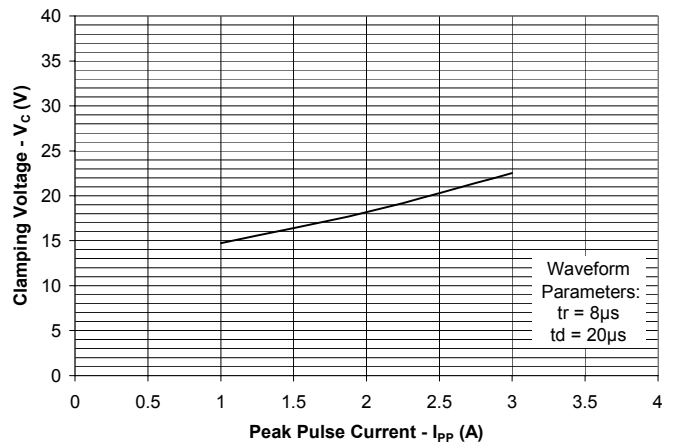
#### Power Derating Curve



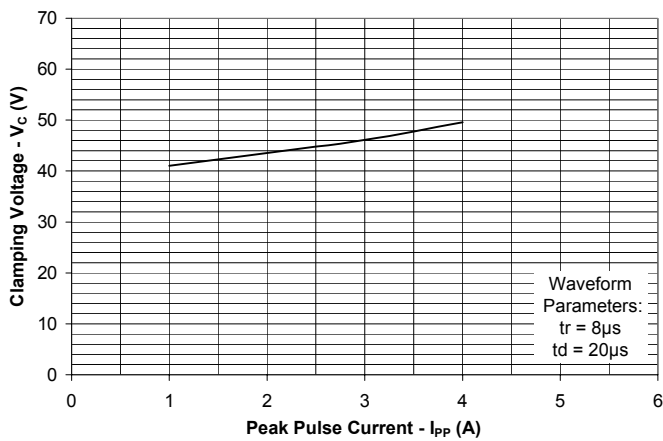
#### Pulse Waveform



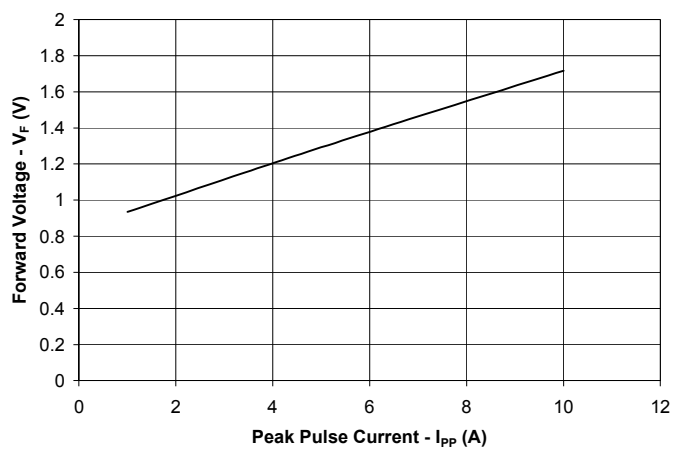
#### Clamping Voltage vs. Peak Pulse Current (Pin 1, 2, or 3 to GND)



#### Clamping Voltage vs. Peak Pulse Current (Pin 6 to GND)



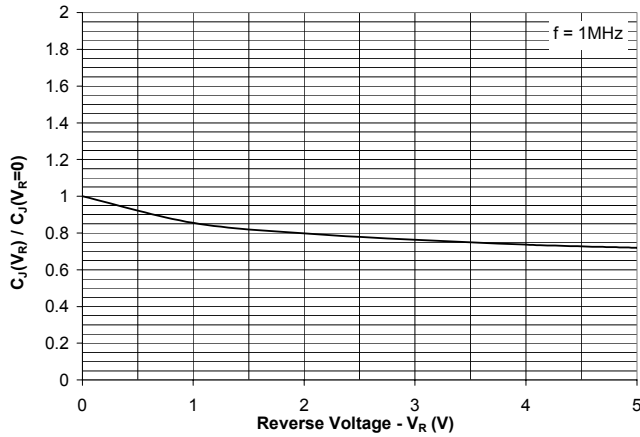
#### Reverse Clamping Voltage vs. Peak Pulse Current (Pin GND to Pin 6)



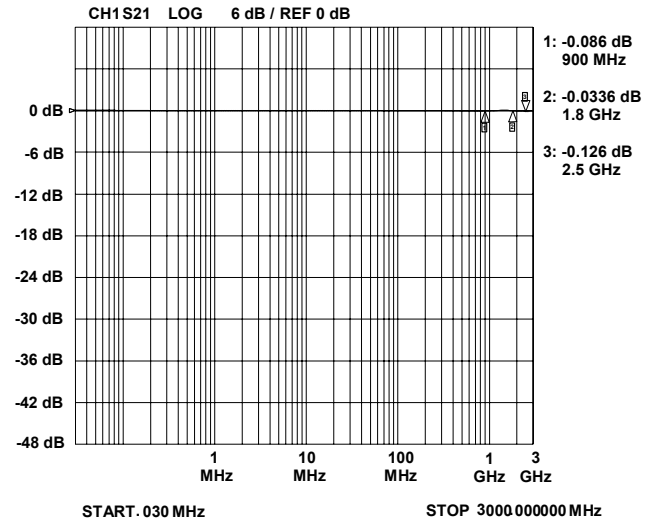
## PROTECTION PRODUCTS

### Typical Characteristics

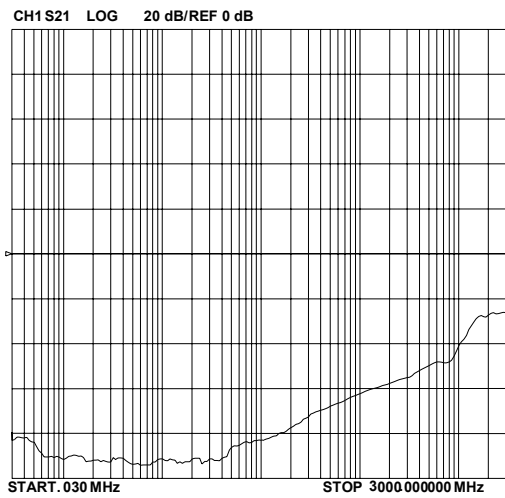
**Normalized Capacitance vs. Reverse Voltage  
(Pin 1, 2, or 3 to Gnd)**



**Insertion Loss S21 (Pin 1, 2, or 3 to Gnd)**



**Analog Crosstalk**



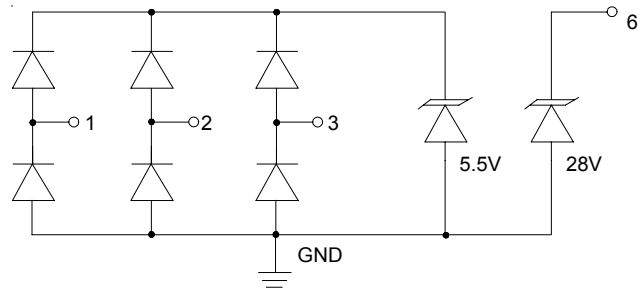
## PROTECTION PRODUCTS

### Applications Information

#### Device Connection Options for Protecting One USB Port

USB Data and ID lines are connected at pins 1, 2, and 3. These inputs are referenced to an internal 5 volt TVS protection device. When the voltage on these lines exceeds 5 volts, the TVS will conduct. Pin 6 is connected to the USB voltage bus (VBus). This device will conduct when the voltage on the bus exceeds 28 volts. The center tab is connected to ground. The path length should also be kept as short as possible to minimize parasitic inductance. For best results, multiple micro-vias are recommended to the ground plane.

Figure 1- Pin Configuration & Circuit Diagram



#### Protecting USB Interfaces

The RClamp3654P is optimized for use on systems that utilize the USB interface for battery charging. Low capacitance protection is provided for the USB data (DM, DP) and USB ID pins. The maximum capacitance on these lines is <math><1\text{pF}</math> for maximum signal integrity. All three lines are referenced to an internal 5 volt TVS device. A separate 28 volt TVS device is used for protection of the USB voltage bus. This allows battery charging without signal clipping. A typical example is shown in Figure 2.

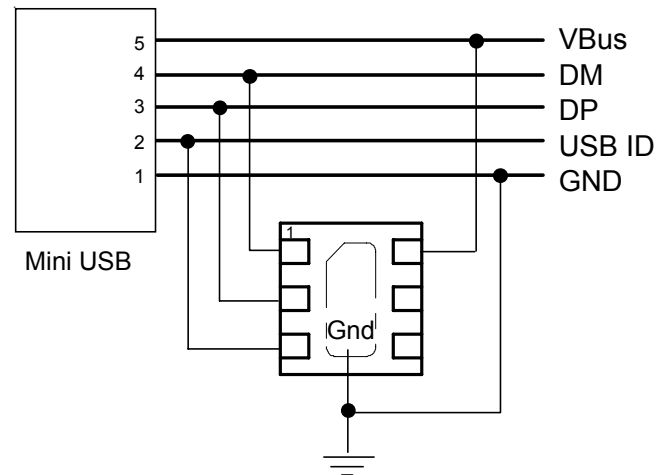
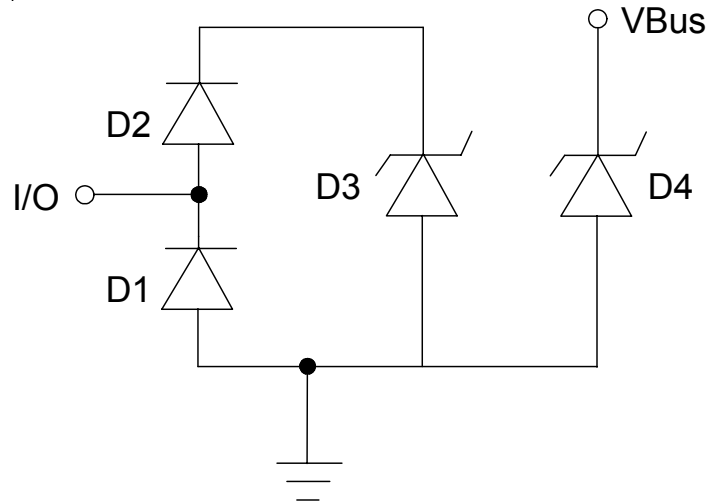


Figure 2 - USB Protection

## PROTECTION PRODUCTS

### Applications Information - Spice Model



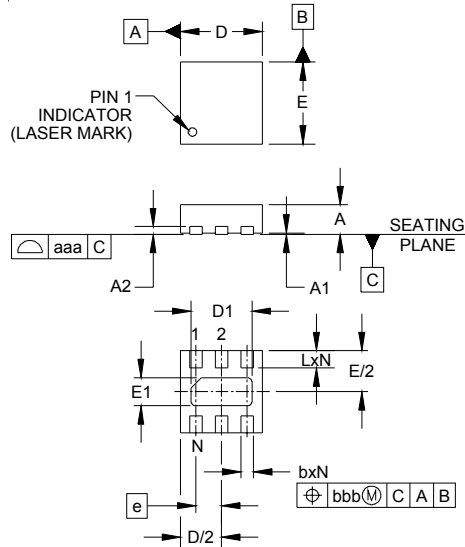
**RClamp3654P Spice Model**

RClamp3654P Spice Parameters					
Parameter	Unit	D1	D2	D3	D4
IS	Amp	1E-20	1E-20	2E-12	2.93E-12
BV	Volt	100	100	9.36	36
VJ	Volt	0.7	0.7	0.6	0.6
RS	Ohm	0.458	1.0	2.6	3.583
IBV	Amp	1E-3	1E-3	1E-3	1E-3
CJO	Farad	0.3E-12	0.3E-12	56E-12	50E-12
TT	sec	2.541E-9	2.541E-9	2.541E-9	2.541E-9
M	--	0.01	0.01	0.23	0.32
N	--	1.1	1.1	1.1	1.1
EG	eV	1.11	1.11	1.11	1.11



## PROTECTION PRODUCTS

### Outline Drawing SLP1616P6

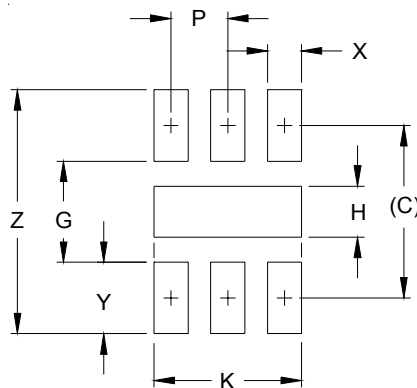


DIM	INCHES			MILLIMETERS		
	MIN	NOM	MAX	MIN	NOM	MAX
A	.020	.023	.026	0.50	0.58	0.65
A1	0.00	.001	.002	0.00	0.03	0.05
A2		(.005)			(0.13)	
b	.008	.010	.012	0.20	0.25	0.30
D	.059	.063	.067	1.50	1.60	1.70
D1	.041	.047	.051	1.05	1.20	1.30
E	.059	.063	.067	1.50	1.60	1.70
E1	.010	.016	.020	0.25	0.40	0.50
e	.020 BSC		0.50 BSC			
L	.010	.013	.016	0.25	0.33	0.40
N	6			6		
aaa	.003			0.08		
bbb	.004			0.10		

**NOTES:**

1. CONTROLLING DIMENSIONS ARE IN MILLIMETERS (ANGLES IN DEGREES).
2. COPLANARITY APPLIES TO THE EXPOSED PAD AS WELL AS THE TERMINALS.

### Land Pattern - SLP1616P6



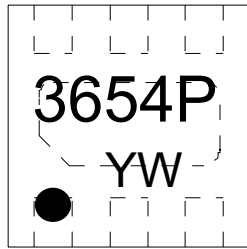
DIM	DIMENSIONS	
	INCHES	MILLIMETERS
C	.060	1.52
G	.035	0.89
H	.018	0.45
K	.051	1.30
P	.020	0.50
X	.012	0.30
Y	.025	0.63
Z	.085	2.15

**NOTES:**

1. CONTROLLING DIMENSIONS ARE IN MILLIMETERS (ANGLES IN DEGREES).
2. THIS LAND PATTERN IS FOR REFERENCE PURPOSES ONLY. CONSULT YOUR MANUFACTURING GROUP TO ENSURE YOUR COMPANY'S MANUFACTURING GUIDELINES ARE MET.
3. THERMAL VIAS IN THE LAND PATTERN OF THE EXPOSED PAD SHALL BE CONNECTED TO A SYSTEM GROUND PLANE. FAILURE TO DO SO MAY COMPROMISE THE THERMAL AND/OR FUNCTIONAL PERFORMANCE OF THE DEVICE.

## PROTECTION PRODUCTS

### Marking



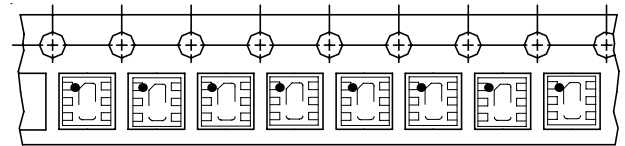
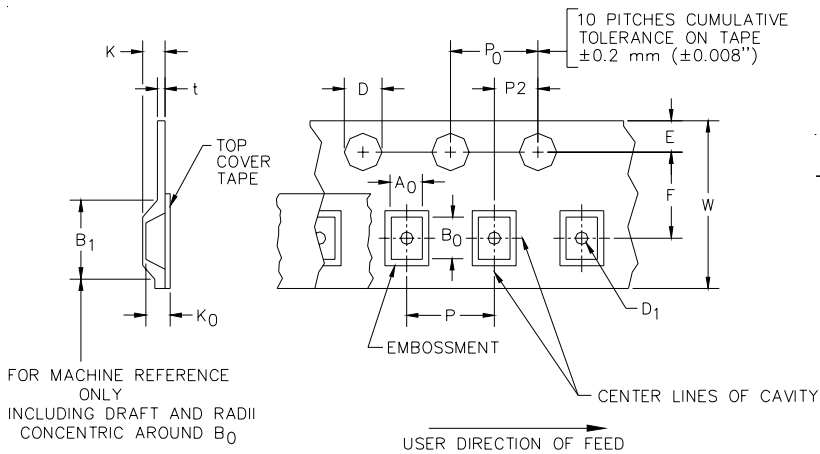
### Ordering Information

Part Number	Lead Finish	Qty per Reel	Reel Size
RClamp3654P.TCT	Pb Free	3,000	7 Inch

RailClamp and RClamp are marks of Semtech Corporation

YW = Two character Date Code

### Tape and Reel Specification



**Device Orientation in Tape**  
**Pin 1 in upper left towards sprocket holes**

A0	B0	K0
1.78 +/-0.10 mm	1.78 +/-0.10 mm	0.69 +/-0.10 mm

Tape Width	B, (Max)	D	D1	E	F	K (MAX)	P	P0	P2	T(MAX)	W
8 mm	4.2 mm	1.5 + 0.1 mm - 0.0 mm )	0.5 mm ±0.05	1.750±.10 mm	3.5±0.05 mm	2.4 mm	4.0±0.1 mm	4.0±0.1 mm	2.0±0.05 mm	0.4 mm	8.0 mm + 0.3 mm - 0.1 mm

### Contact Information

Semtech Corporation  
 Protection Products Division  
 200 Flynn Rd., Camarillo, CA 93012  
 Phone: (805)498-2111 FAX (805)498-3804