

RopeCT® AC Current Sensor RCT-1800

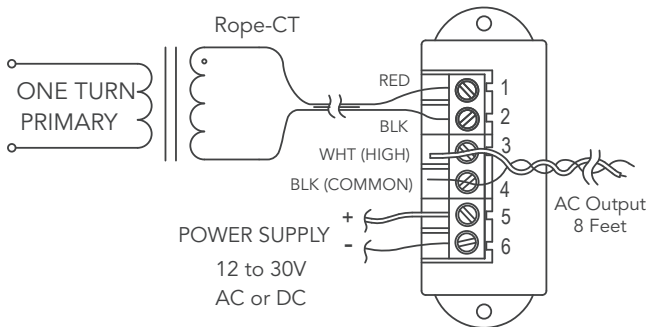
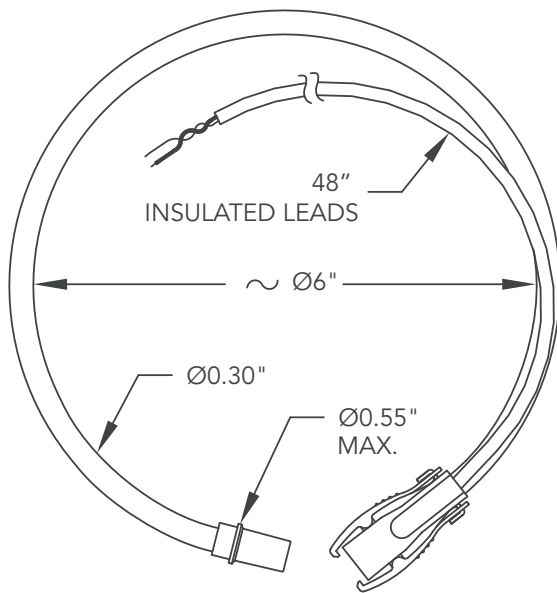
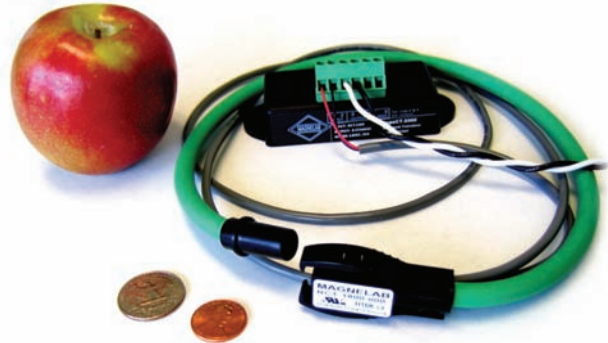
18 Inch Rogowski Coil

Description:

Magnelab RCT-1800 Series flexible RopeCT® current sensor measures AC current up to 5,000 Amps. The coil opens at the connector junction and can be installed on an existing cable or buss-bar in a matter of seconds.

Features:

- Input from 250 Amp to 5,000 Amp
- Output of 0.333 Volt at rated current
- Linearity Accuracy 1%
- Accuracy from 100 Amps to 15,000 Amps
- Phase angle < 0.5 degrees measured at 50% rated current
- Integrator requires power supply 12 to 30V AC or DC (not included)
- 8 ft. twisted pair leads
- Custom length, output, and other parameters are available



PART NUMBER AND RATING

PART NUMBER	Optional Rating*
RCT-1800-0250	250 Amp
RCT-1800-0400	400 Amp
RCT-1800-0500	500 Amp
RCT-1800-0800	800 Amp
RCT-1800-1000	1000 Amp
RCT-1800-1500	1500 Amp
RCT-1800-2000	2000 Amp
RCT-1800-2500	2500 Amp
RCT-1800-3000	3000 Amp
RCT-1800-4000	4000 Amp
RCT-1800-5000	5000 Amp

* with Magnelab Integrator

