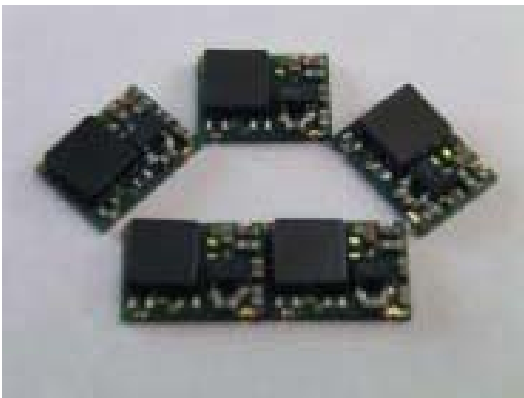


Features

Typical Applications

- Home Security Systems
 - Remote Lighting Controls
 - Remote Gate Controls
 - Asset Tracking
 - Sensor Monitoring
- 433.92 MHz
 - Low Cost
 - 3-12VDC Operation
 - Small Size
 - 0 dBm Output @ 3V
 - 4800 Baud Operation



Description

The RCT-433-UTR is ideal for remote control applications, where low cost and longer range are required. The transmitter operates from a 3-12V supply, making it ideal for battery-powered applications. The transmitter employs a SAW-stabilized oscillator, ensuring accurate frequency control for best range performance. Output power and harmonic emissions are easy to control, making FCC and ETSI compliance easy. The manufacturing-friendly tape-and-reel packaging and low cost make the RCT-433-UTR suitable for high volume applications.

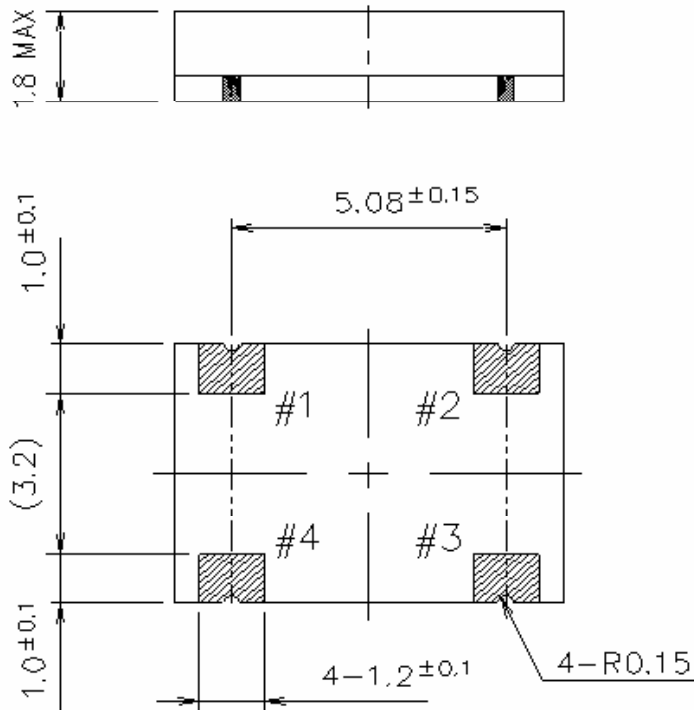
Item No.	Parameter	Value			UNIT
		MIN	TYP	MAX	
1.	Transmit Frequency	433.92			MHz
2.	Modulation		ASK		
3.	Output Power @ 12 V/ Data: 3 V	9	10	12	dBm
4.	Data Rate	1		3	KHz
5.	Frequency Tolerance	-120		+120	KHz
6.	Operating Temperature	-40		+85	°C
7.	Power Source	3		12	V
8.	Power Consumption @ 12 V	8	10	12	mA

Document Control

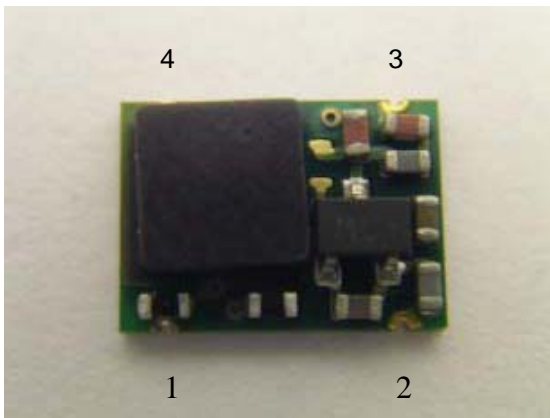
Created By	TJ Everett	1/20/07
Engineering Review		
Marketing Review		
Approved - Engineering		
Approved - Marketing		

Revision History

Revision	Author	Date	Description
1.0	TJ	1/20/07	Document Created



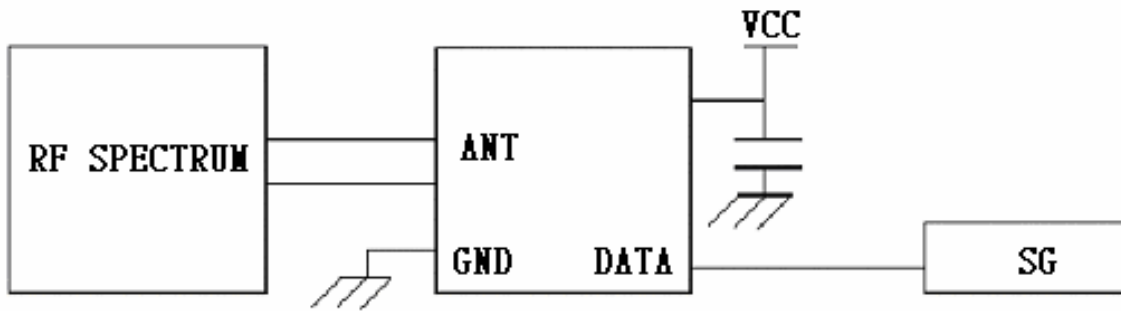
	Pin Connection
#1 pin	Vcon
#2 pin	GND
#3 pin	Output
#4 pin	+Vcc



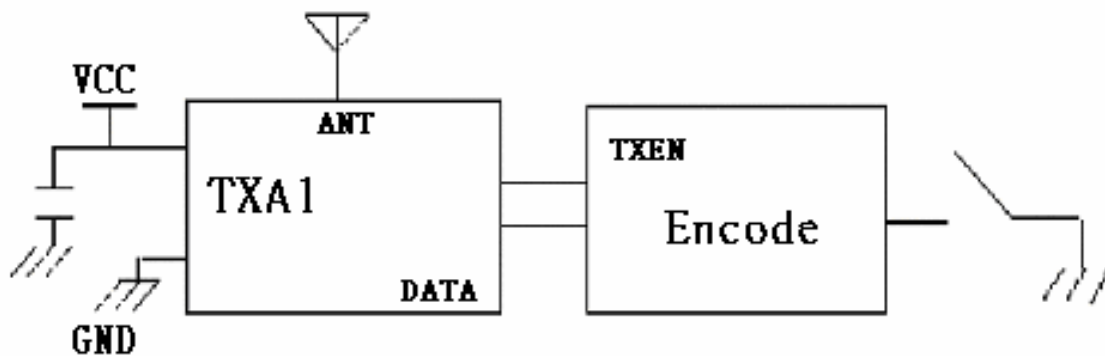
Pin Description

Pin	Name
1	V con
2	GND
3	Output
4	+ VCC

Typing Test Circuit



Typical Transmitter Application

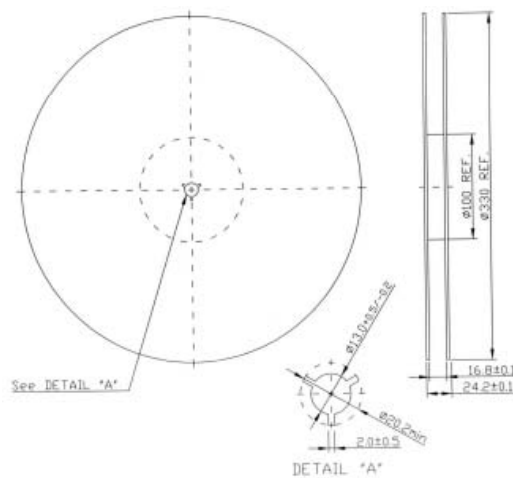


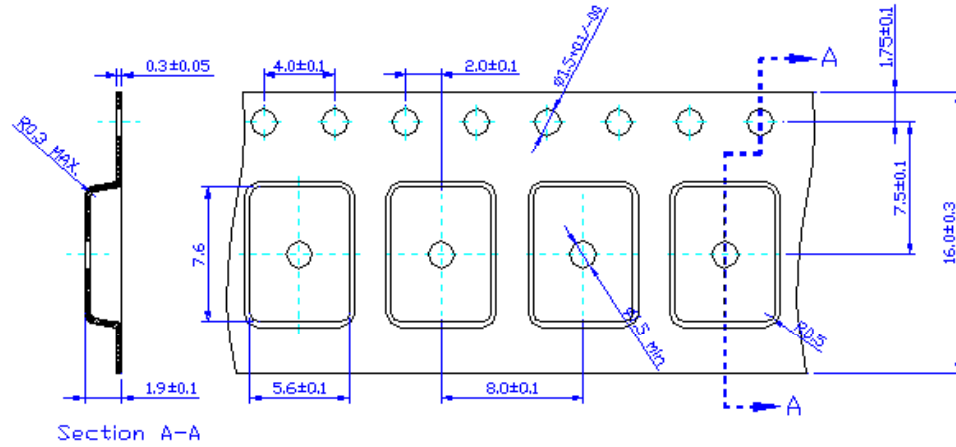
Notes:

1. Encoder : HT12D/F , PTC (2262)
2. Antenna : Length = 17.2cm for 433MHz

Part Orientation

Tape and Reel:

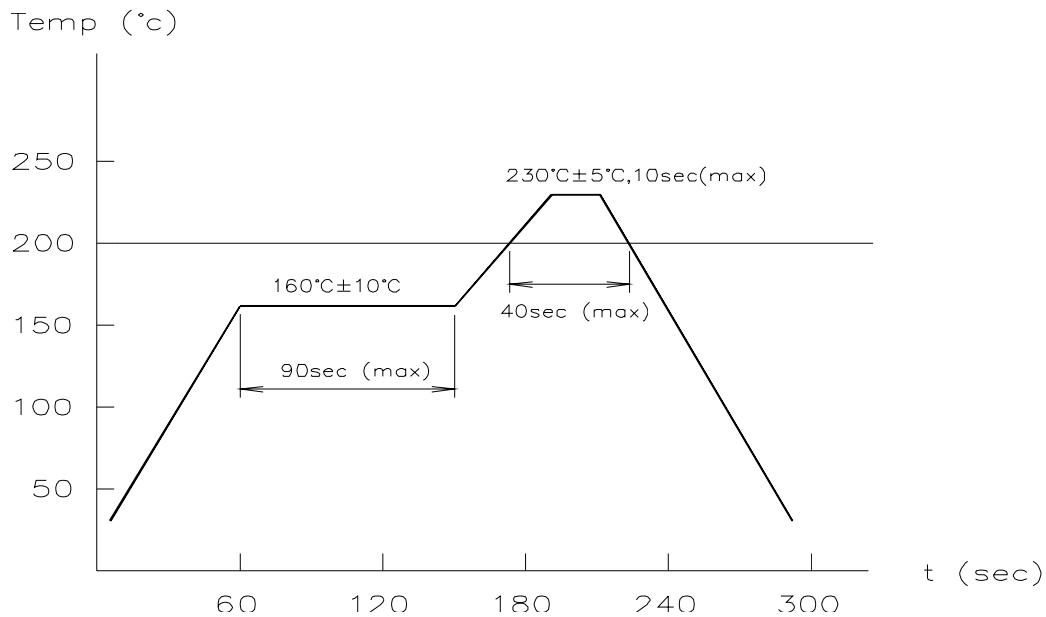




Notes:

1. Unit: mm.
2. Unless otherwise specified tolerance on dim. +/- 0.1mm.
3. Material: conductive polystyrene.
4. Color: black
5. 10 Pitch Cumulative Tolerance +/- 0.2mm.

Maximum Soldering Profile



Ordering Information

PRODUCT	ORDER CODE
RCT-433-UTR	RCT-433-UTR

Radiotronics Inc.

905 Messenger Lane
Moore, OK 73160

(405) 794-7730
(405) 794-7477 (Fax)

www.radiotronics.com
sales@radiotronics.com