

RDB105S

**SINGLE PHASE GLASS PASSIVATED
FAST RECOVERY
SURFACE MOUNT BRIDGE RECTIFIER
VOLTAGE:600V CURRENT:1.0A**

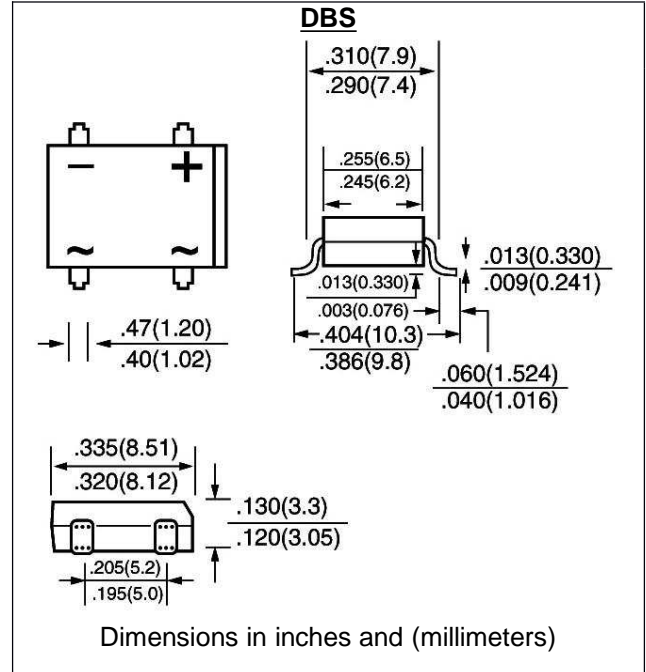


FEATURE

For surface mount application
Reliable low cost construction utilizing molded plastic
Technique

MECHANICAL DATA

Terminal: Plated leads solderable per
MIL-STD 202E, method 208C
Case:UL-94 Class V-0 recognized Flame Retardant Epoxy
Polarity: Polarity symbol marked on body
Mounting position: any



MAXIMUM RATINGS AND ELECTRICAL CHARACTERISTICS

(single-phase, half -wave, 60HZ, resistive or inductive load rating at 25°C, unless otherwise stated, for capacitive load, derate current by 20%)

	SYMBOL	RDB 105S	Units
Maximum Recurrent Peak Reverse Voltage	V _{rrm}	600	V
Maximum RMS Voltage	V _{rms}	420	V
Maximum DC blocking Voltage	V _{dc}	600	V
Maximum Average Forward Rectified Current at Ta =40°C	I _{f(av)}	1.0	A
Peak Forward Surge Current 8.3ms single half sine-wave superimposed on rated load	I _{fsm}	30.0	A
Maximum Instantaneous Forward Voltage at forward current 1.0A	V _f	1.3	V
Maximum DC Reverse Current Ta =25°C at rated DC blocking voltage Ta =125°C	I _r	10.0 500.0	μA mA
Maximum Reverse Recovery Time (Note 1)	T _{rr}	250	nS
Typical Junction Capacitance (Note 2)	C _j	25.0	Pf
Operating Temperature Range	T _j	-55 to +125	°C
Storage and Operating Junction Temperature	T _{stg}	-55 to +150	°C

Note:

- Reverse Recovery Condition I_f =0.5A, I_r =1.0A, I_{rr} =0.25A
- Measured at 1.0 MHz and applied voltage of 4.0 volt

RATINGS AND CHARACTERISTIC CURVES RDB105S

1

Figure 1. Maximum Forward Current Derating Curve

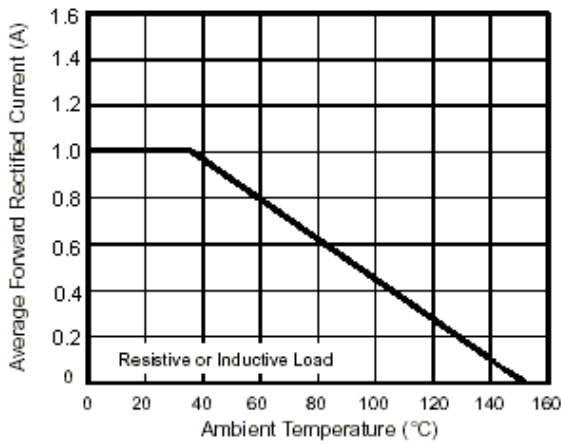


Figure 2. Maximum Non-Repetitive Peak Forward Surge Current Per Leg

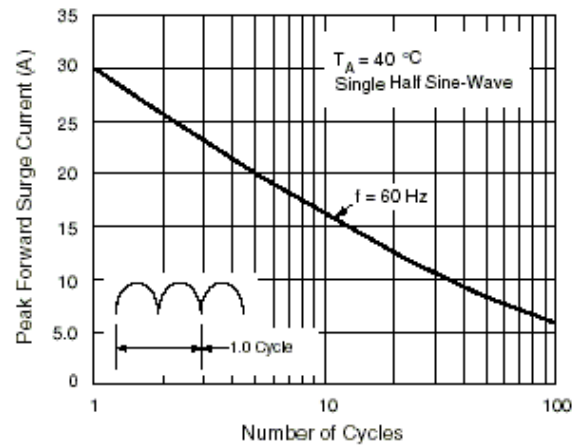


Figure 3. Typical Instantaneous Forward Characteristics Per Leg

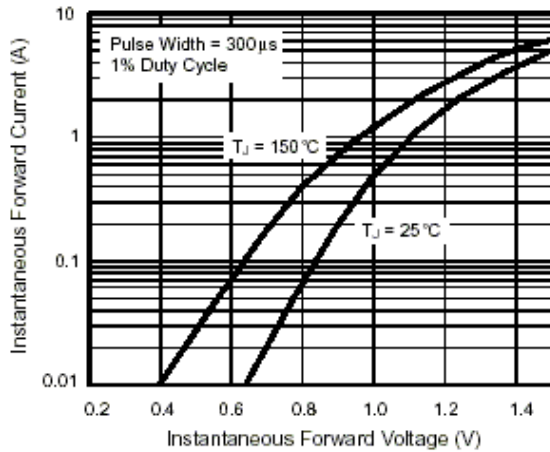


Figure 4. Typical Reverse Leakage Characteristics Per Leg

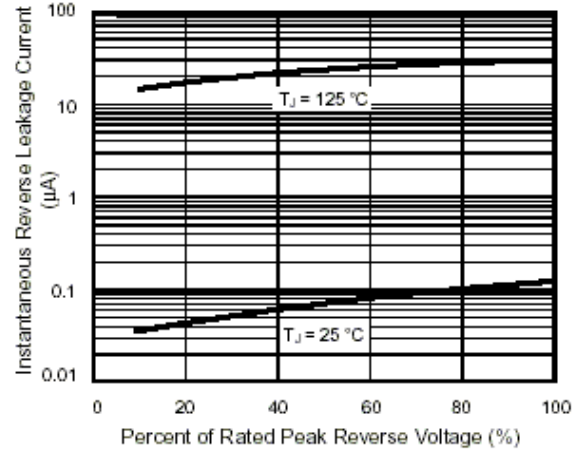


Figure 5. Typical Junction Capacitance Per Leg

