

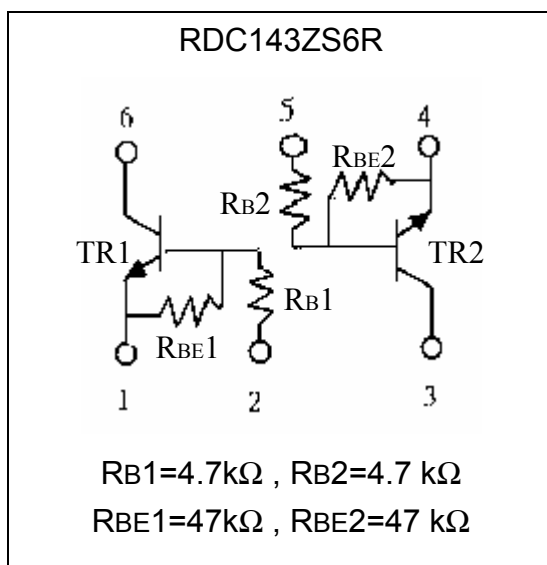
## Dual NPN Digital Transistors

# RDC143ZS6R

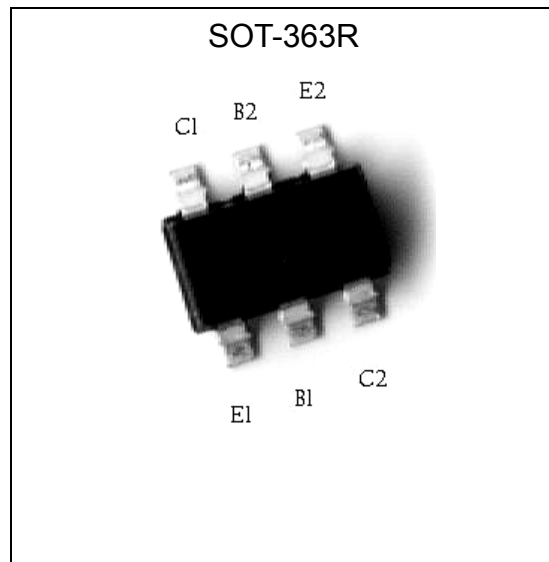
### Features

- Built-in bias resistors enable the configuration of an inverter circuit without connecting external input resistors (see equivalent circuit).
- The bias resistors consist of thin-film resistors with complete isolation to allow negative biasing of the input. They also have the advantage of almost completely eliminating parasitic effects.
- Only the on/off conditions need to be set for operation, making device design easy.
- Two DTC143Z chips in a SOT-363 package.
- Mounting by SOT-323 automatic mounting machines is possible.
- Mounting cost and area can be cut in half.
- Transistor elements are independent, eliminating interference.
- Complements the HBA143ZS6R.
- Pb-free package.

### Equivalent Circuit



### Outline



**Absolute Maximum Ratings** (Each Transistor, Ta=25°C)

Parameter	Symbol	Limits	Unit
Supply Voltage	V <sub>CC</sub>	50	V
Input Voltage	V <sub>IN</sub>	-5~+30	V
Output Current	I <sub>O</sub>	100	mA
	I <sub>O(max.)</sub>	100	mA
Power Dissipation	P <sub>d</sub>	200 (Note)	mW
Junction Temperature	T <sub>j</sub>	150	°C
Storage Temperature	T <sub>stg</sub>	-55~+150	°C

Note : 150mW per element must not be exceeded.

**Characteristics** (Each Transistor, Ta=25°C)

Parameter	Symbol	Min.	Typ.	Max.	Unit	Test Conditions
Input Voltage	V <sub>I(off)</sub>	-	-	0.5	V	V <sub>CC</sub> =5V, I <sub>O</sub> =100μA
	V <sub>I(on)</sub>	1.3	-	-	V	V <sub>O</sub> =0.3V, I <sub>O</sub> =5mA
Output Voltage	V <sub>O(on)</sub>	-	0.1	0.3	V	I <sub>O</sub> /I <sub>I</sub> =5mA/0.25mA
Input Current	I <sub>I</sub>	-	-	1.8	mA	V <sub>I</sub> =5V
Output Current	I <sub>O(off)</sub>	-	-	0.5	μA	V <sub>CC</sub> =50V, V <sub>I</sub> =0V
DC Current Gain	G <sub>I</sub>	80	-	-	-	V <sub>O</sub> =5V, I <sub>O</sub> =10mA
Input Resistance	R <sub>1</sub>	3.29	4.7	6.11	kΩ	-
Resistance Ratio	R <sub>2</sub> /R <sub>1</sub>	8	10	12	-	-
Transition Frequency	f <sub>T</sub>	-	250	-	MHz	V <sub>CE</sub> =10V, I <sub>C</sub> =5mA, f=100MHz*

\* Transition frequency of the device

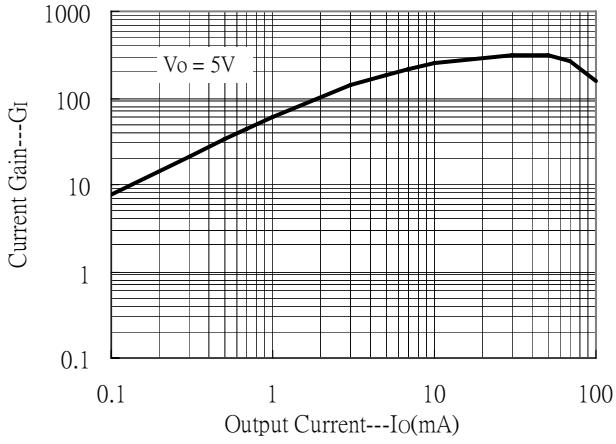
**Ordering Information**

Device	Package	Shipping	Marking
RDC143ZS6R	SOT-363 (Pb-free)	3000 pcs / Tape & Reel	7K

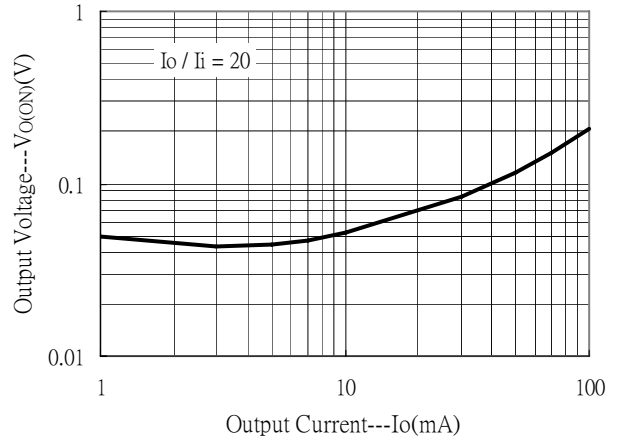


### Characteristic Curves

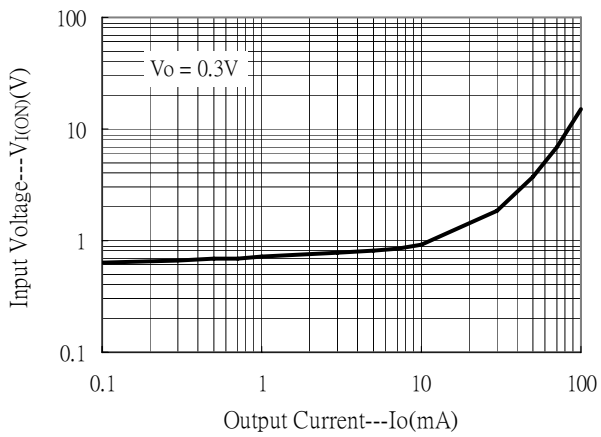
Current Gain vs Output Current



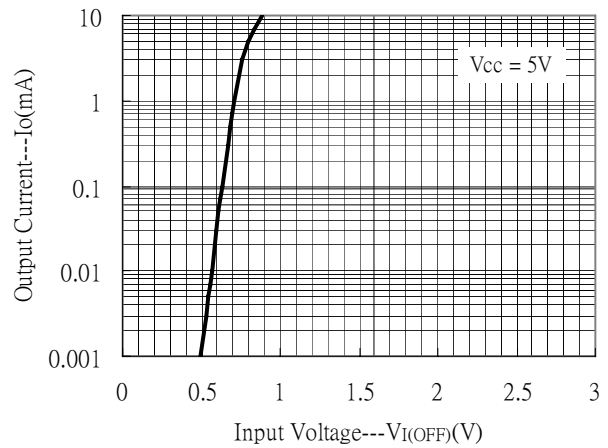
Output Voltage vs Output Current



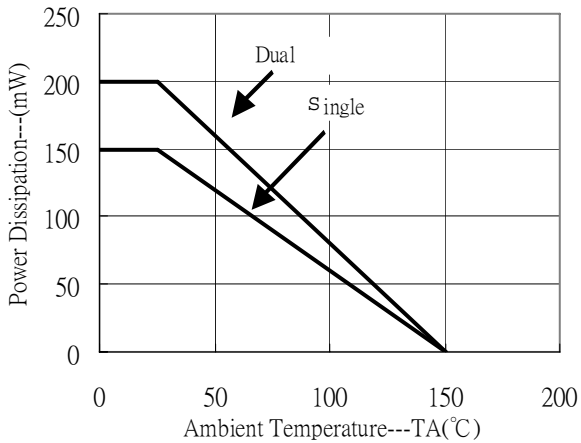
Input Voltage vs Output Current(ON characteristics)



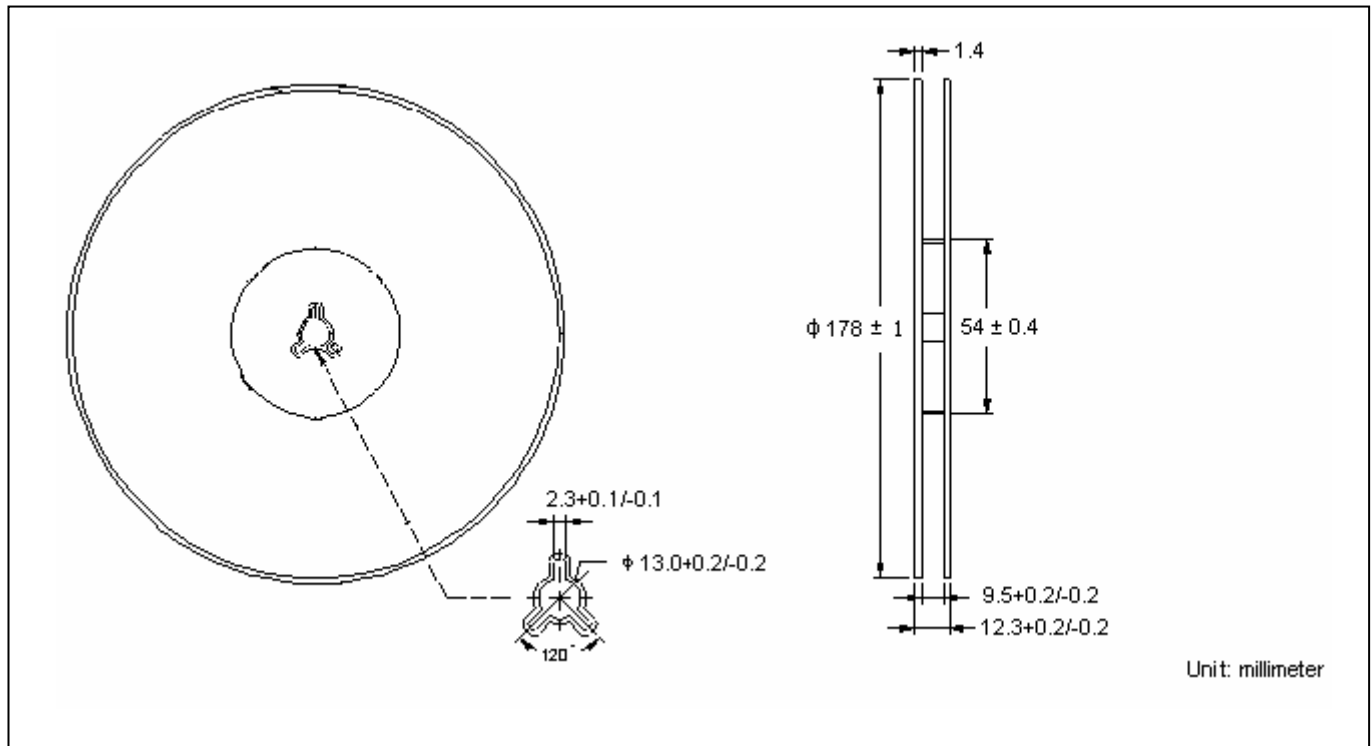
Output Current vs Input Voltage(OFF characteristics)



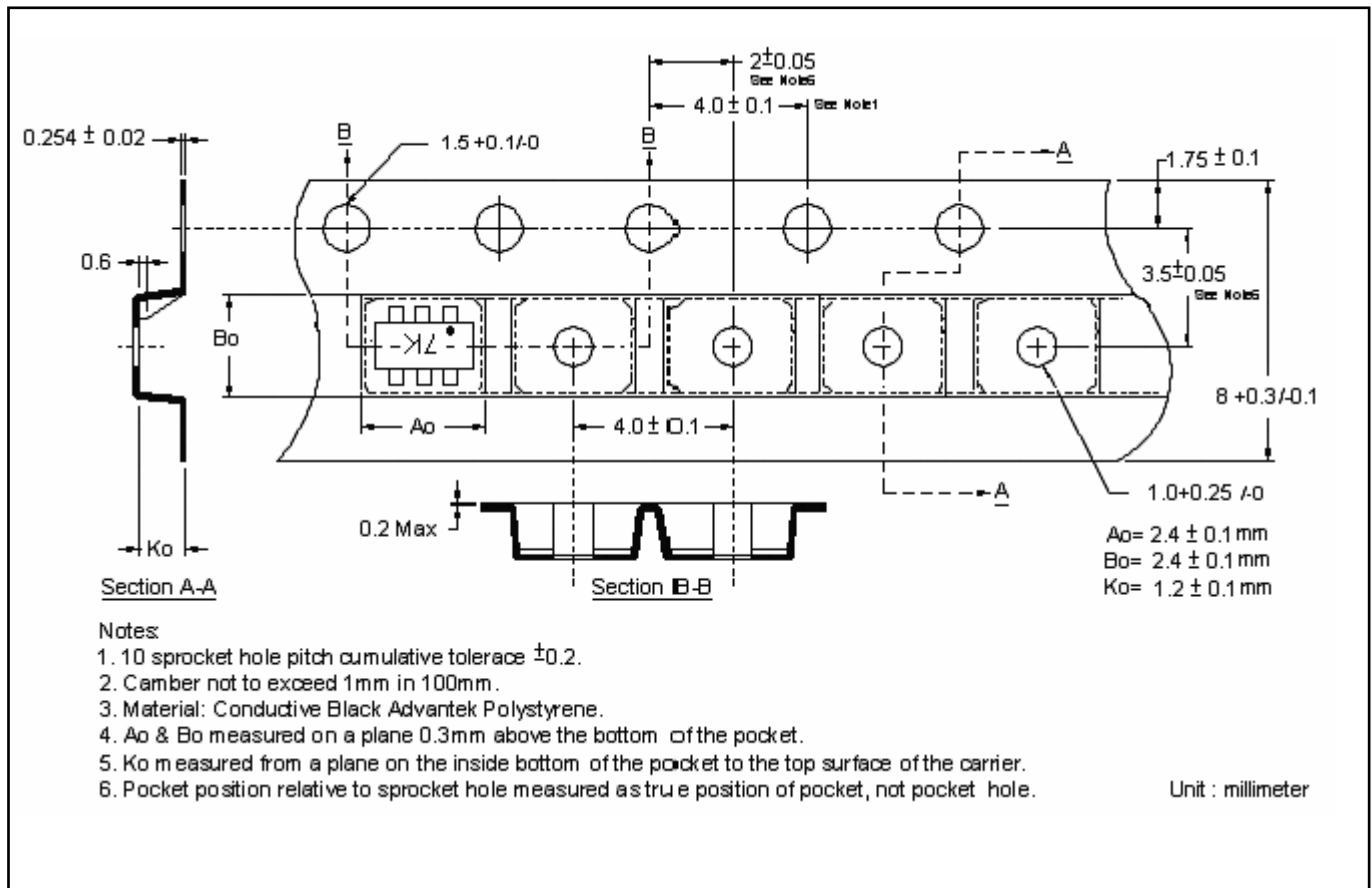
Power Derating Curves



### Reel Dimension



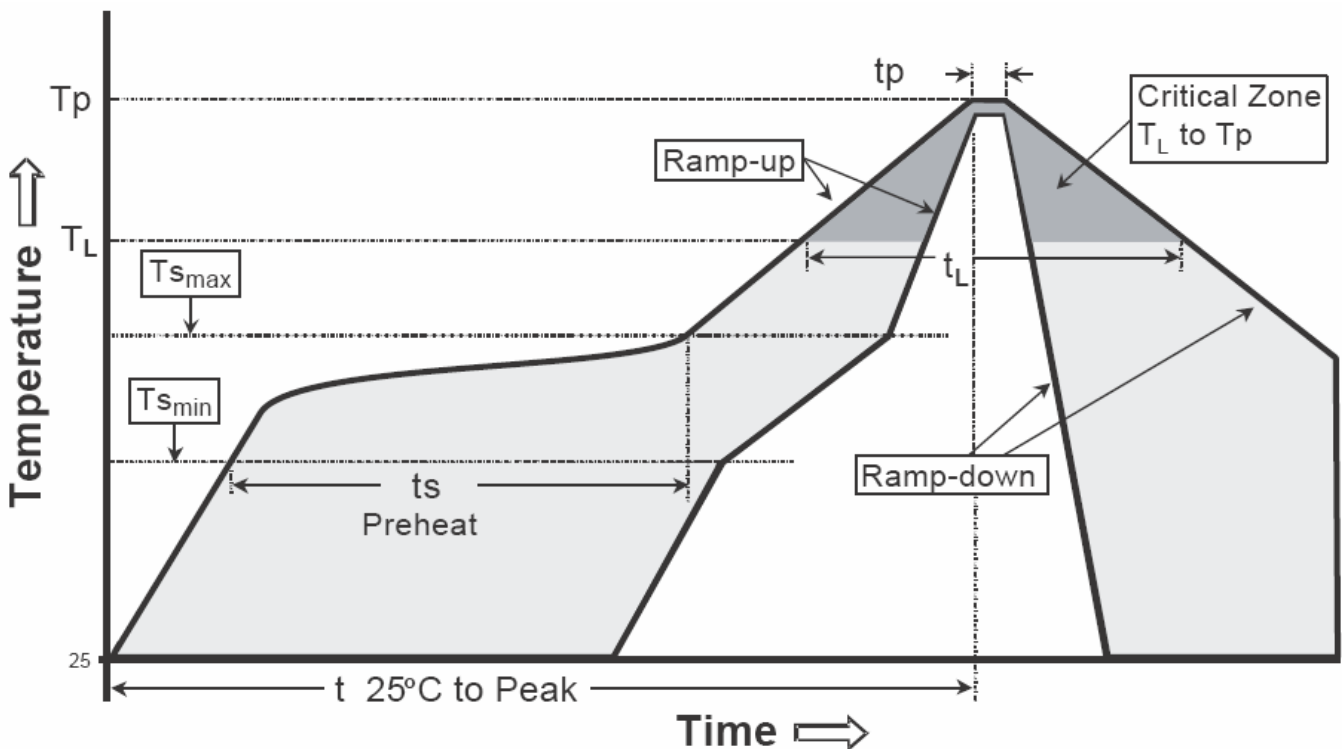
### Carrier Tape Dimension



**Recommended wave soldering condition**

Product	Peak Temperature	Soldering Time
Pb-free devices	260 +0/-5 °C	5 +1/-1 seconds

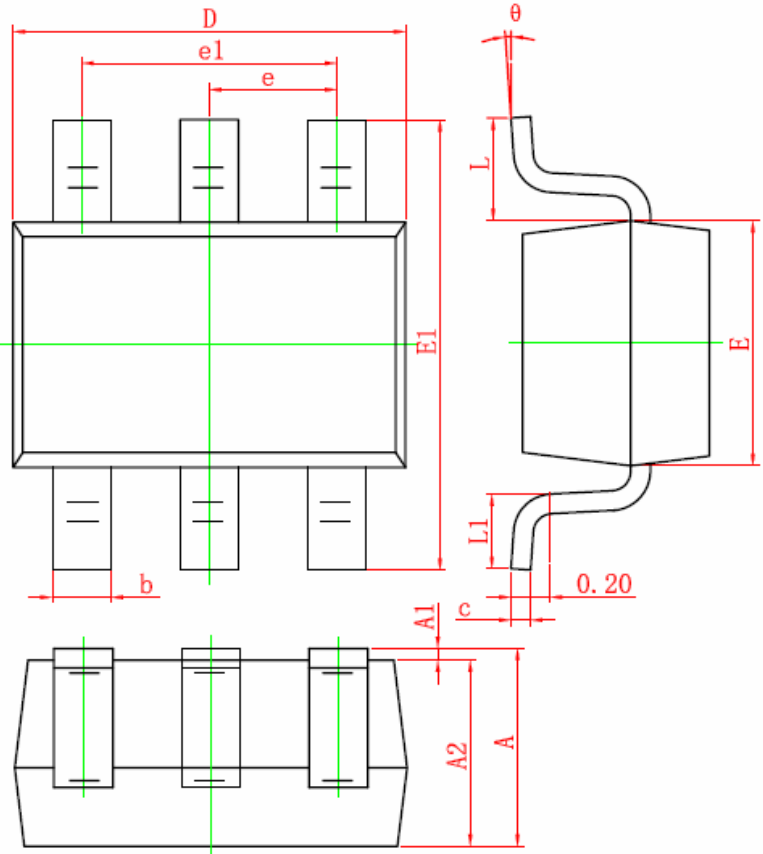
**Recommended temperature profile for IR reflow**



Profile feature	Sn-Pb eutectic Assembly	Pb-free Assembly
Average ramp-up rate (Tsmax to Tp)	3°C/second max.	3°C/second max.
Preheat		
-Temperature Min(Ts min)	100°C	150°C
-Temperature Max(Ts max)	150°C	200°C
-Time(ts min to ts max)	60-120 seconds	60-180 seconds
Time maintained above:		
-Temperature (Tl)	183°C	217°C
- Time (tl)	60-150 seconds	60-150 seconds
Peak Temperature(Tp)	240 +0/-5 °C	260 +0/-5 °C
Time within 5°C of actual peak temperature(tp)	10-30 seconds	20-40 seconds
Ramp down rate	6°C/second max.	6°C/second max.
Time 25 °C to peak temperature	6 minutes max.	8 minutes max.

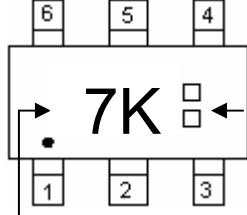
Note : All temperatures refer to topside of the package, measured on the package body surface.

**SOT-363 Dimension**



The diagram shows three views of the SOT-363R package: a top view, a side view, and a bottom view. Dimensions are labeled with letters and numbers: D (total width), e1 (pitch), e (pitch), E1 (height), b (lead width), A1 (lead height), c (lead thickness), A2 (height), A (height), L (lead length), L1 (lead length), and θ (lead angle). A specific lead thickness of 0.20 is indicated.

**Marking:**



Date Code:  
 Year + Month  
 Year : 6→2006, 7→2007, ..., etc  
 Month : 1→Jan, 2→Feb, ..., 9→Sep, A→Oct, B→Nov, C→Dec

Device Code

**6-Lead SOT-363R Plastic Surface Mounted Package**  
 CYStek Package Code: S6R

**Style:**  
 Pin 1. Emitter1 (E1)  
 Pin 2. Base1 (B1)  
 Pin 3. Collector2 (C2)  
 Pin 4. Emitter2 (E2)  
 Pin 5. Base2 (B2)  
 Pin 6. Collector1 (C1)

DIM	Millimeters		Inches		DIM	Millimeters		Inches	
	Min.	Max.	Min.	Max.		Min.	Max.	Min.	Max.
A	0.900	1.100	0.035	0.043	E1	2.150	2.450	0.085	0.096
A1	0.000	0.100	0.000	0.004	e	0.650	TYP	0.026	TYP
A2	0.900	1.000	0.035	0.039	e1	1.200	1.400	0.047	0.055
b	0.150	0.350	0.006	0.014	L	0.525	REF	0.021	REF
c	0.080	0.150	0.003	0.006	L1	0.260	0.460	0.010	0.018
D	2.000	2.200	0.079	0.087	θ	0°	8°	0°	8°
E	1.150	1.350	0.045	0.053					

**Notes :** 1. Controlling dimension : millimeters.  
 2. Maximum lead thickness includes lead finish thickness, and minimum lead thickness is the minimum thickness of base material.  
 3. If there is any question with packing specification or packing method, please contact your local CYStek sales office.

**Material :**

- Lead : Pure tin plated.
- Mold Compound : Epoxy resin family, flammability solid burning class:UL94V-0.

**Important Notice:**

- All rights are reserved. Reproduction in whole or in part is prohibited without the prior written approval of CYStek.
- CYStek reserves the right to make changes to its products without notice.
- CYStek **semiconductor products are not warranted to be suitable for use in Life-Support Applications, or systems.**
- CYStek assumes no liability for any consequence of customer product design, infringement of patents, or application assistance.