



RE46C104

Piezoelectric Horn Driver and Voltage Converter
Product Specification

General Description

The RE46C104 is a piezoelectric horn driver with voltage converter to provide maximum audibility in low voltage applications. The feedback control pin is designed for use with self-oscillating piezoelectric horn but can also be used in direct drive applications. The built-in charge pump voltage converter provides increased supply voltage for the horn drivers allowing outputs to swing from V_{ss} to $2 \times V_{dd}$. A charge pump enable pin is provided to minimize supply current when not in use.

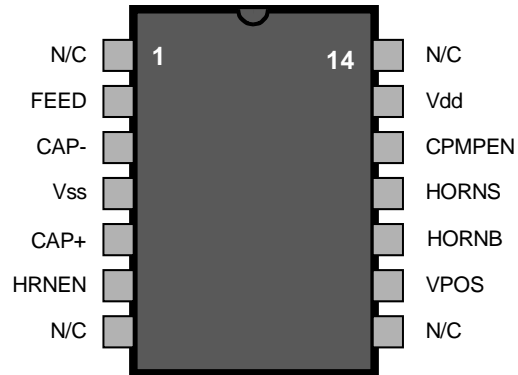
Applications

- Smoke detectors
- CO Detectors
- Personal Security Products
- Electronic Toys

Features

- Low Quiescent Current
- Low Driver Ron
- Wide Operating Voltage Range
- Available in Standard Packaging or RoHS Compliant Pb Free Packaging

Pin Configuration



Absolute maximum ratings

Supply Voltage V_{dd}	-5V to +9.0V
Input voltage Range V_{in}	-3V to $V_{DD}+3V$, except FEED
FEED Input Voltage Range V_{inf}	-10V to +22V
Input Current I_{in}	10mA, except FEED
Operating Temperature	0 to 50°C
Continuous Output Current (HornS, HornB, or Vpos).....	30mA

Stresses beyond those listed under Absolute Maximum Ratings may cause permanent damage to the device. These are stress ratings only and operation at these conditions for extended periods may affect device reliability.

This product utilizes CMOS technology with static protection; however proper ESD prevention procedures should be used when handling this product. Damage can occur when exposed to extremely high static electrical charges

RE46C104

Piezoelectric Horn Driver and Voltage Converter
Product Specification



R&E International

Electrical Characteristics at $T_A = 25^\circ\text{C}$, $V_{DD} = 5\text{V}$, $V_{SS} = 0\text{V}$ (unless otherwise noted).

Parameter	Test Pin	Test Conditions	Limits			Units
			Min	Typ	Max	
Supply Voltage	Vdd	Operating	4.0	5.0	8.0	V
Standby Supply Current	Vdd	Hrnen, Cpmpen = Vss Feed = Vss ; Vdd = 5V		100	500	nA
	Vdd	Hrnen, Cpmpen = Vss Feed = Vss ; Vdd = 8V		500		nA
Supply Current	Vdd	Hrnen = Vss Cpmpen = Vdd No Loads; See note 1		200	500	uA
Input Leakage	Hrnen & Cpmpen	Vin = Vdd or Vss	-100		100	nA
	FEED	Feed = +22V Cpmpen = Vdd		20	50	uA
	FEED	Feed = -10V Cpmpen = Vdd	-50	-15		uA
Input Voltage Low	Hrnen & Cpmpen				1.0	V
Input Voltage High	Hrnen & Cpmpen		2.3			V
Output Low Voltage	Horns or Hornb	Iout = 16mA Cpmpen = Vdd		0.3	0.5	V
Output High Voltage	Horns or Hornb	Iout = -16mA Cpmpen = Vdd	8.5	8.7		V
Vpos Output Voltage	Vpos	Iout = -16mA Cpmpen = Vdd Hrnen = Vss		8.9		V
Charge Pump Oscillator Freq	Vpos			16		kHz
Charge Pump Power Efficiency	Vpos	Iout = -16mA C1=C2=10uF		85		%
Charge Pump Voltage Conversion Efficiency	Vpos	No Loads C1=C2=10uF	95	99		%

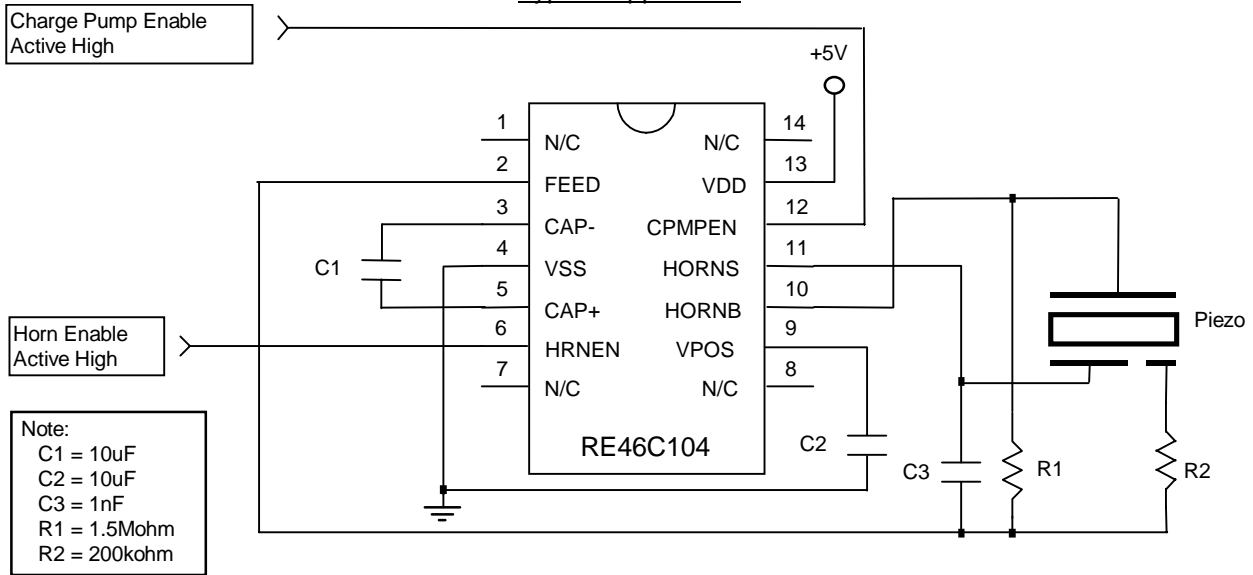
RE46C104

Piezoelectric Horn Driver and Voltage Converter
Product Specification



R&E International

Typical Application



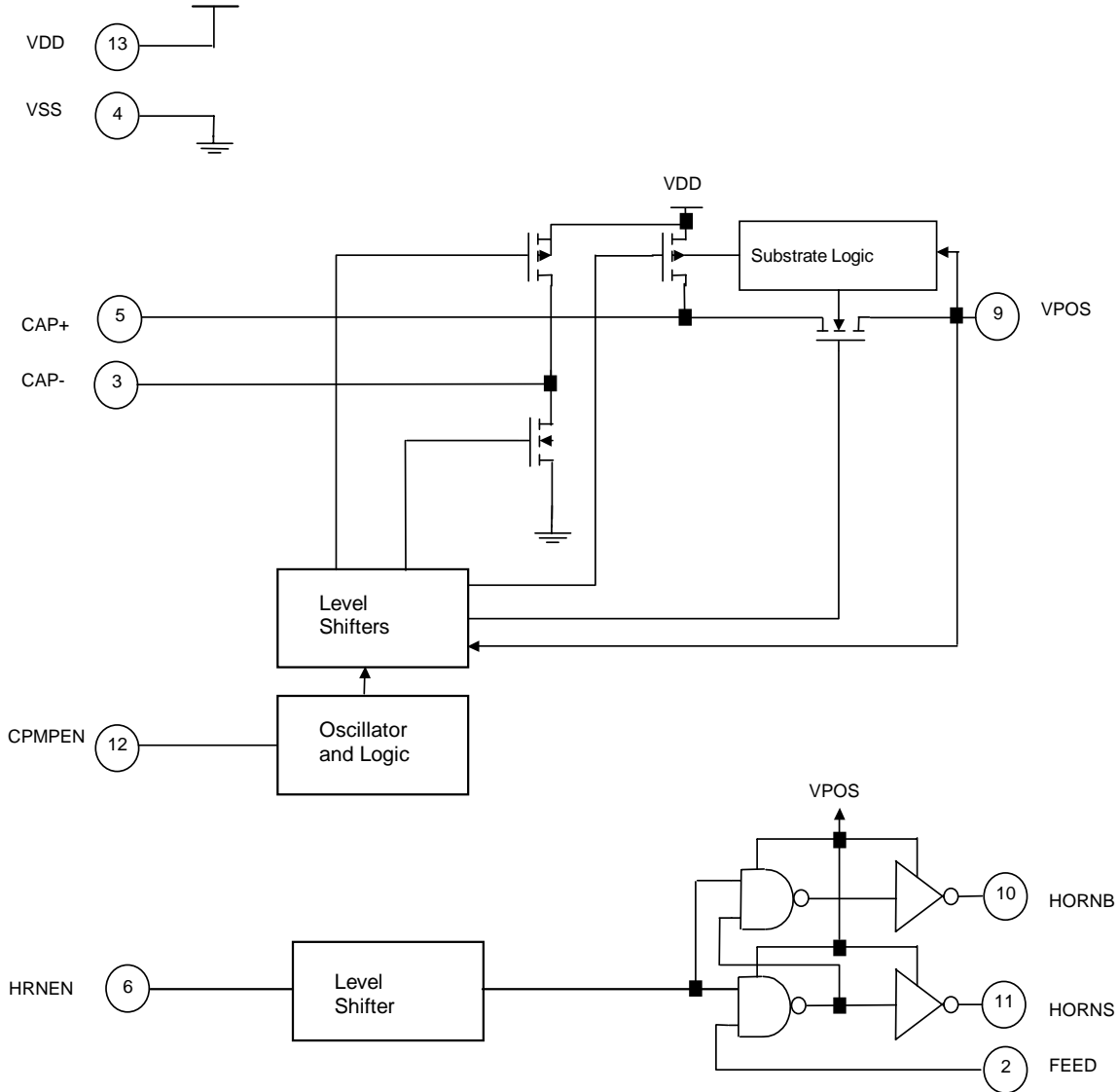
RE46C104

Piezoelectric Horn Driver and Voltage Converter
Product Specification



R&E International

Functional Block Diagram



Notes:

- 1/ The supply current specification is an average under steady state conditions. The instantaneous current will exceed this value when C1 and C2 charge-up initially (after charge pump is enabled) and during subsequent recharging of C1 and C2.