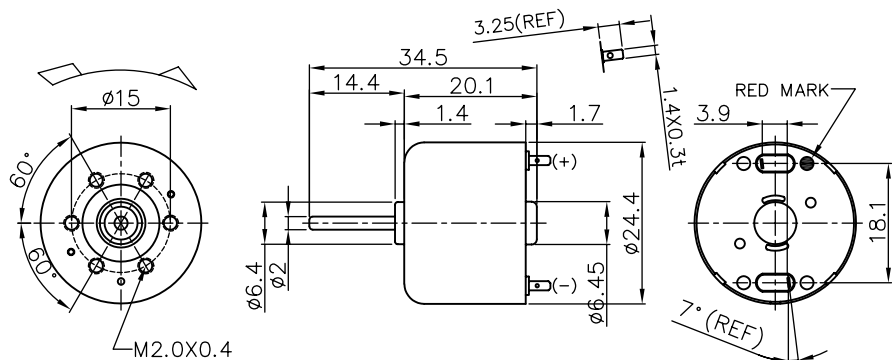


RF-310 series Ø24 mm 0.1-0.5 W



WEIGHT :29g(APPROX)

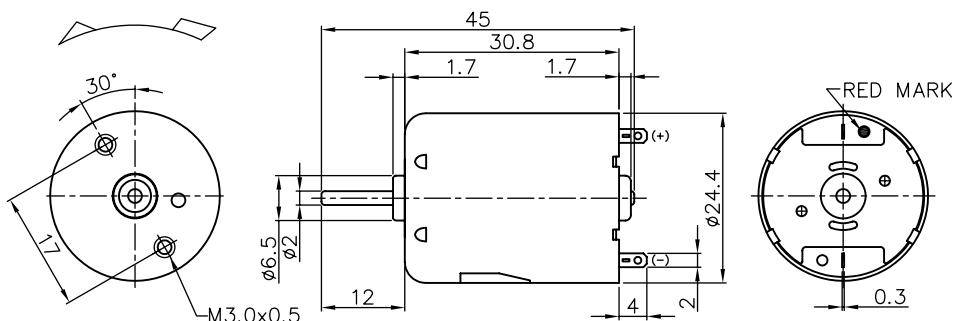


Model - -
 Cabron brush = C V = Varistor
 Metal brush = M C = Capacitor

MOTOR DATA

Part name	RF-310CA-11420-MV	RF-310TA-11400-MV
Diameter (mm)	24.4	24.4
Lenth (mm)	20.1	20.1
Nominal voltage (V)	3	6
Nominal speed (rpm)	2000	5800
Nominal torque (mNm)	0.5	0.8
Nominal current A	0.1	0.1
No load speed (rpm)	2700	7680
No load current A	0.03	0.04
Stall torque (mNm)	2.1	2.8
Starting current (A)	0.2	0.2
Output (W)	0.1	0.5
Efficiency (%)	52	57
Operating temperature deg. C	-10..+60	-10..+60

270 series Ø24 mm 2.6-4.2 W



WEIGHT :51g(APPROX)



Model - -
 Cabron brush = C V = Varistor
 Metal brush = M C = Capacitor

MOTOR DATA

Part name	270-14200-CV	270-09450-CV
Diameter (mm)	24.4	24.4
Lenth (mm)	30.8	30.8
Nominal voltage (V)	12	33
Nominal speed (rpm)	8800	9500
Nominal torque (mNm)	2.8	4.1
Nominal current A	0.4	0.2
No load speed (rpm)	11600	11700
No load current A	0.12	0.06
Stall torque (mNm)	12.1	19.6
Starting current (A)	1.4	0.8
Output (W)	2.6	4.2
Efficiency (%)	51	59
Operating temperature deg. C	-10..+60	-10..+60