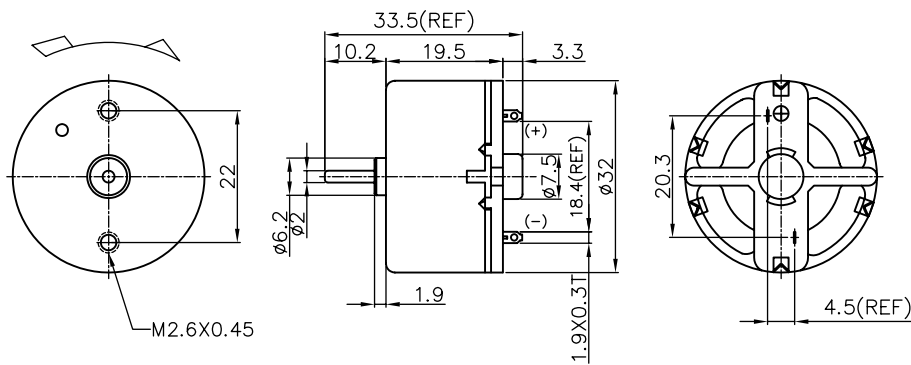


## RF-500 series Ø32 mm 0.5-1.0 W

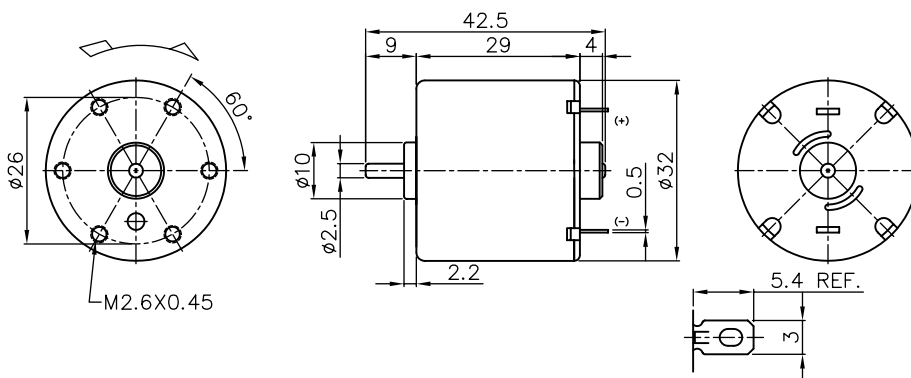


Model - [ ] - [ ]  
 Carbon brush = C      V = Varistor  
 Metal brush = M      C = Capacitor

### MOTOR DATA

Part name	RF-500TB-14415-MV	RF-500TB-18280-MV	RF-500TB-12560-MV
Diameter (mm)	32	32	32
Length (mm)	19.5	19.5	19.5
Nominal voltage (V)	6	6	12
Nominal speed (rpm)	3000	4400	4600
Nominal torque (mNm)	1.5	2.2	1.8
Nominal current A	0.1	0.3	0.1
No load speed (rpm)	3700	5600	5600
No load current A	0.04	0.07	0.03
Stall torque (mNm)	8.4	12.3	11.8
Starting current (A)	0.6	1.3	0.6
Output (W)	0.5	1.0	0.9
Efficiency (%)	62	61	67
Operating temperature deg. C	-10..+60	-10..+60	-10..+60

## GR series Ø32 mm 2.8-3.2 W



Model - [ ] - [ ]  
 Carbon brush = C      V = Varistor  
 Metal brush = M      C = Capacitor

### MOTOR DATA

Part name	GR-3548-CVC	GR-24130-CVC	GR-18260-CVC	GR-12530-CVC
Diameter (mm)	26	26	26	26
Length (mm)	29	29	29	29
Nominal voltage (V)	2.4	6	12	24
Nominal speed (rpm)	5000	5100	5100	5000
Nominal torque (mNm)	5.4	5.3	5.9	6.1
Nominal current A	2.2	0.8	0.5	0.2
No load speed (rpm)	6400	6200	6200	6200
No load current A	0.60	0.20	0.12	0.06
Stall torque (mNm)	24.5	31.4	33.3	31.4
Starting current (A)	7.7	3.5	2.2	0.9
Output (W)	2.8	2.9	3.1	3.2
Efficiency (%)	54	61	56	62
Operating temperature deg. C	-10..+60	-10..+60	-10..+60	-10..+60