

# RF-500TB



Precious metal-brush motors

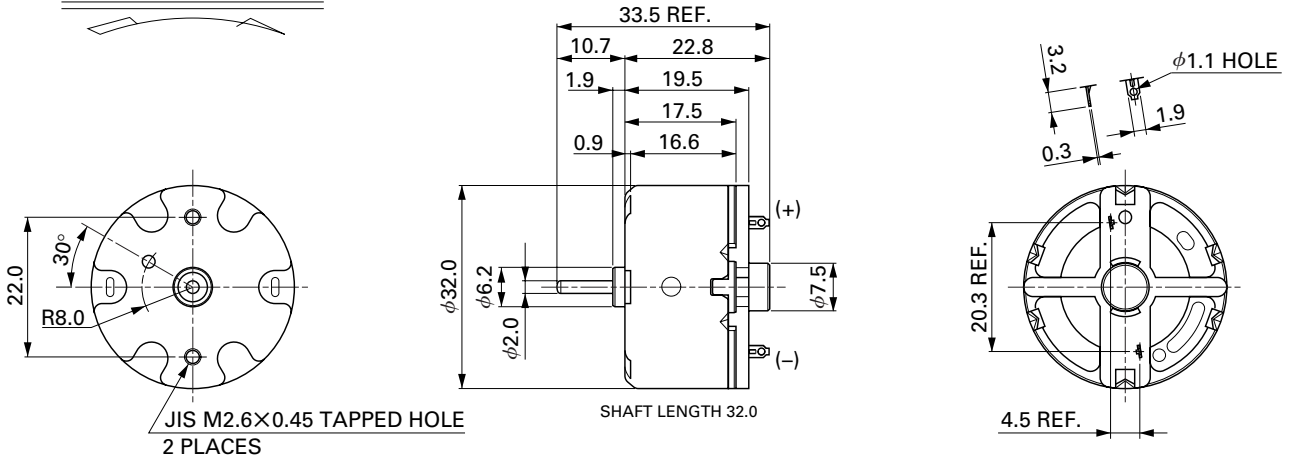
OUTPUT : 0.01W~2.0W (APPROX)

WEIGHT : 45g (APPROX)

Typical Applications Audio and Visual Equipment : CD Player / DVD Player / VCR

| MODEL          | VOLTAGE         |             | NO LOAD        |              | AT MAXIMUM EFFICIENCY |              |                |                | STALL       |                |                |              |
|----------------|-----------------|-------------|----------------|--------------|-----------------------|--------------|----------------|----------------|-------------|----------------|----------------|--------------|
|                | OPERATING RANGE | NOMINAL     | SPEED<br>r/min | CURRENT<br>A | SPEED<br>r/min        | CURRENT<br>A | TORQUE<br>mN-m | TORQUE<br>g-cm | OUTPUT<br>W | TORQUE<br>mN-m | TORQUE<br>g-cm | CURRENT<br>A |
| RF-500TB-14415 | 1.5~9.0         | 5V CONSTANT | 3100           | 0.026        | 2540                  | 0.12         | 1.23           | 12.6           | 0.33        | 6.86           | 70             | 0.54         |
| RF-500TB-12560 | 1.5~12.0        | 6V CONSTANT | 2700           | 0.020        | 2180                  | 0.084        | 1.13           | 11.6           | 0.26        | 5.88           | 60             | 0.35         |

### DIRECTION OF ROTATION

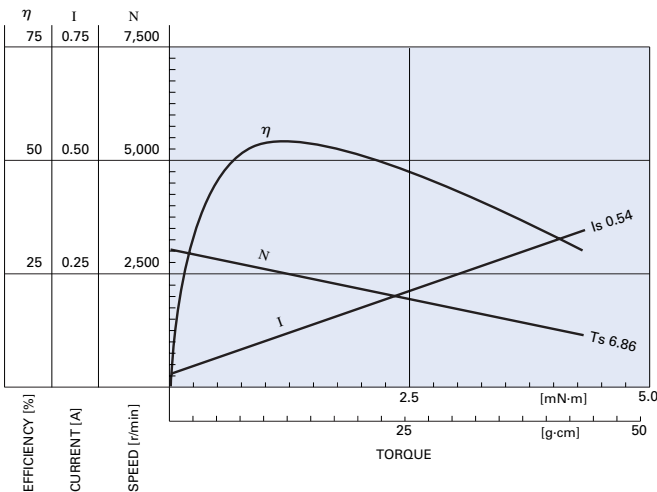


Usable machine screw length 1.5 max. from motor mounting surface.

UNIT: MILLIMETERS

### RF-500TB-14415

5.0V



### RF-500TB-12560

6.0V

