

RF3023 and RF3024

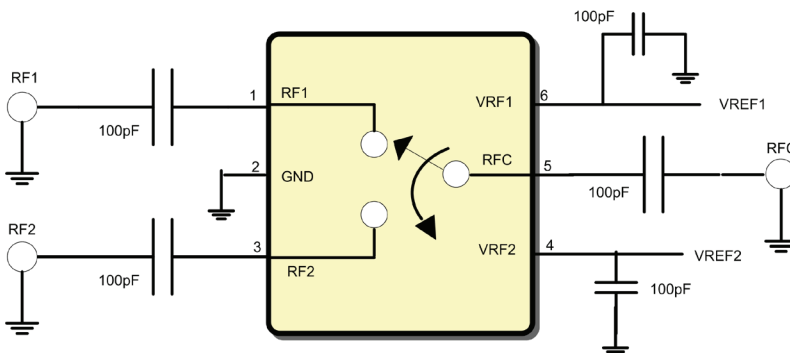
Broadband Medium Power SPDT Switches



The RF3023 and RF3024 are reflective, single-pole double-throw (SPDT) switches designed for general-purpose switching and battery operated applications which require very low insertion loss and medium power handling capability. Both switches are identical with the exception that their switching logic is reversed. Fabricated with a 0.5µm GaAs pHEMT process, the RF3023 and RF2034 feature low control voltage and moderate isolation. Each comes packaged in a compact SC70, 6-pin package.

SPECIFICATIONS

Part Number	Freq Range (MHz)	PO.1dB (dBm)	Insertion Loss (dB)	Isolation (dB)	Control Interface	Package Size (dim. in mm)	Sample Availability
RF3023	10 to 3000	30	0.2 to 0.4	25	GPIO	SC70	July 09
RF3024	10 to 3000	30	0.2 to 0.4	> 50	GPIO	SC70	July 09



FEATURES

- 10 MHz to 3 GHz operation
- 0.25 dB insertion loss at 1 GHz
- > 27 dB isolation at 3 GHz
- 30 dBm P1dB at 3 V
- 50 dBm IP3 at 3 V

For sales or technical support, contact your authorized local sales representative (see www.rfmd.com/globalsales).

Register to receive RFMD's latest product releases with our new Email Component Alerts at www.rfmd.com/emailalert.



This product complies with RFMD's green packaging standards.

RFMD[®] is a trademark of RFMD, LLC. All other trade names, trademarks and registered trademarks are the property of their respective owners. ©2009 RFMD. SL_RF3023-4_0609_50