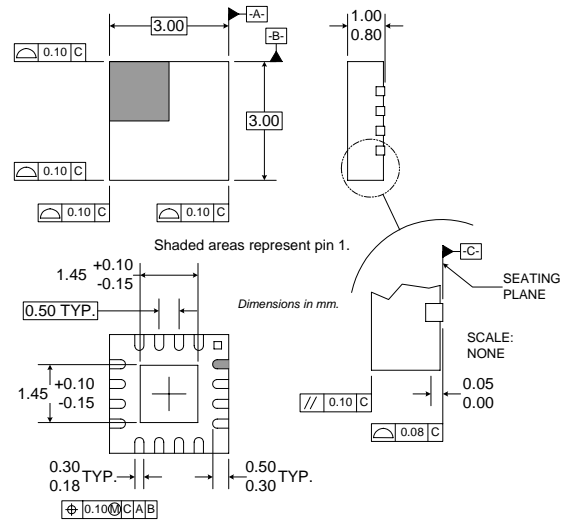


Typical Applications

- 3V CDMA/AMPS Cellular Handset
- 3V CDMA2000/1XRTT Cellular Handset
- 3V CDMA2000/1X-EV-DO US-Cellular Handset
- Spread-Spectrum System

Product Description

The RF3163 is a high-power, high-efficiency linear amplifier module specifically designed for 3V handheld systems. The device is manufactured on an advanced third generation GaAs HBT process, and was designed for use as the final RF amplifier in 3V IS-95/CDMA 2000 1X/AMPS handheld digital cellular equipment, spread-spectrum systems, and other applications in the 824MHz to 849MHz band. The RF3163 has a digital control line for low power applications to lower quiescent current. The RF3163 is assembled in a 16-pin, 3mmx3mm, QFN package.



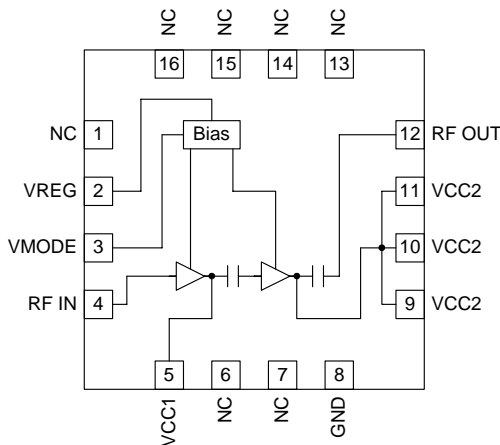
Optimum Technology Matching® Applied

- | | | |
|-------------------------------------|--|---------------------------------------|
| <input type="checkbox"/> Si BJT | <input checked="" type="checkbox"/> GaAs HBT | <input type="checkbox"/> GaAs MESFET |
| <input type="checkbox"/> Si Bi-CMOS | <input type="checkbox"/> SiGe HBT | <input type="checkbox"/> Si CMOS |
| <input type="checkbox"/> InGaP/HBT | <input type="checkbox"/> GaN HEMT | <input type="checkbox"/> SiGe Bi-CMOS |

Package Style: QFN, 16-Pin, 3x3

Features

- Input Internally Matched @ 50Ω
- Output Internally Matched
- 28dBm Linear Output Power
- 41% Peak Linear Efficiency
- -51 dBc ACPR @ 885 kHz
- 55% AMPS Efficiency



Functional Block Diagram

Ordering Information

RF3163 3V 900MHz Linear Power Amplifier Module
 RF3163 PCBA Fully Assembled Evaluation Board

RF Micro Devices, Inc.
 7628 Thorndike Road
 Greensboro, NC 27409, USA

Tel (336) 664 1233
 Fax (336) 664 0454
<http://www.rfmd.com>

RF3163

Absolute Maximum Ratings

Parameter	Rating	Unit
Supply Voltage (RF off)	+8.0	V
Supply Voltage ($P_{OUT} \leq 31$ dBm)	+5.2	V
Control Voltage (V_{REG})	+3.9	V
Input RF Power	+10	dBm
Mode Voltage (V_{MODE})	+3.9	V
Operating Temperature	-30 to +110	°C
Storage Temperature	-40 to +150	°C
Moisture Sensitivity Level (IPC/JEDEC J-STD-20)	MSL 2 @ 260°C	



Caution! ESD sensitive device.

RF Micro Devices believes the furnished information is correct and accurate at the time of this printing. However, RF Micro Devices reserves the right to make changes to its products without notice. RF Micro Devices does not assume responsibility for the use of the described product(s).

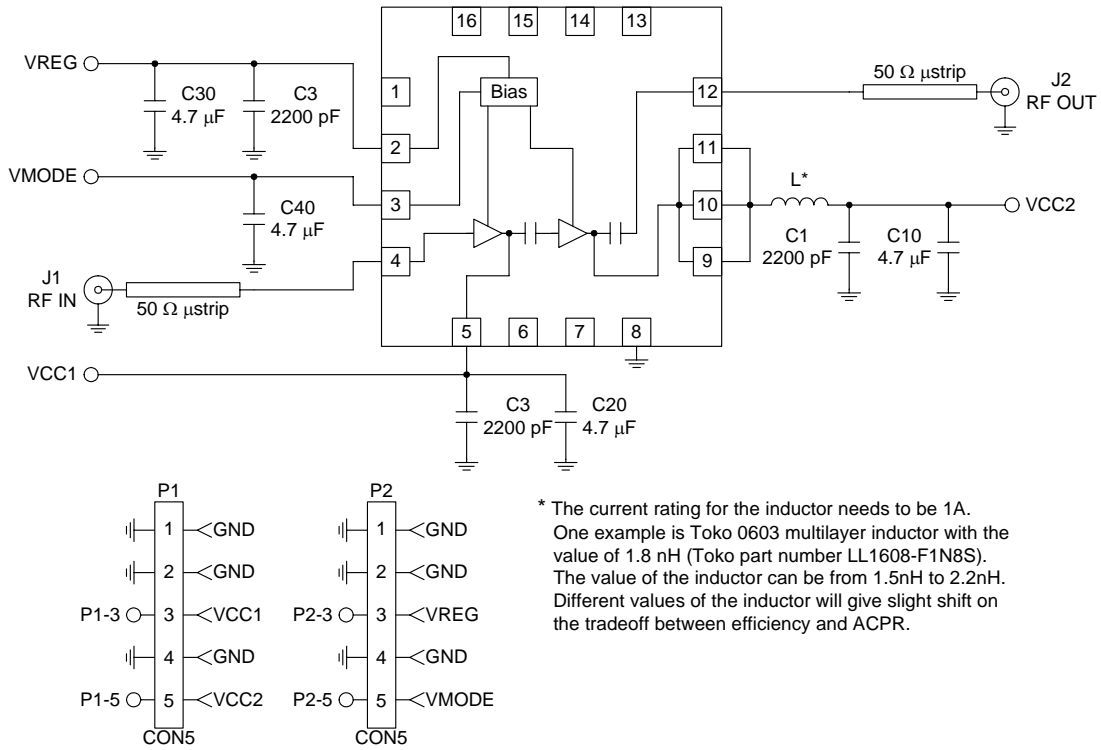
Parameter	Specification			Unit	Condition
	Min.	Typ.	Max.		
High Power Mode (V_{MODE} Low)					$T=25^{\circ}\text{C}$ Ambient, $V_{CC}=3.4\text{V}$, $V_{REG}=2.8\text{V}$, $V_{MODE}=0\text{V}$, and $P_{OUT}=28\text{dBm}$ for all parameters (unless otherwise specified).
Operating Frequency Range	824		849	MHz	
Linear Gain	26.0	28.5		dB	
Second Harmonics		-35	-30	dBc	
Third Harmonics		-40	-30	dBc	
Maximum Linear Output	28				
Linear Efficiency	36	41		%	
Maximum I_{CC}		455	515	mA	
ACPR @ 885kHz		-51	-46	dBc	
ACPR @ 1.98MHz		-58	-55	dBc	
Input VSWR		2:1			
Stability in Band			6:1		No oscillation > -70dBc
Stability out of Band			10:1		No damage
Noise Power		-133		dBm/Hz	At 45MHz offset.
Low Power Mode (V_{MODE} High)					$T=25^{\circ}\text{C}$ Ambient, $V_{CC}=3.4\text{V}$, $V_{REG}=2.8\text{V}$, $V_{MODE}=2.8\text{V}$, and $P_{OUT}=18\text{dBm}$ for all parameters (unless otherwise specified).
Operating Frequency Range	824		849	MHz	
Linear Gain	21	24		dB	
Maximum Linear Output	18				
Maximum I_{CC}		125		mA	$P_{OUT}=16\text{dBm}$
ACPR @ 885kHz		-51	-46	dBc	
ACPR @ 1.98MHz		-61	-56	dBc	
Input VSWR		2:1			
Output VSWR Stability			6:1		No oscillation > -70dBc
			10:1		No damage

Parameter	Specification			Unit	Condition	
	Min.	Typ.	Max.			
FM Mode					T=25°C Ambient, V _{CC} =3.4V, V _{REG} =2.8V, V _{MODE} =0V, and P _{OUT} =31dBm for all parameters (unless otherwise specified).	
Operating Frequency Range	824		849	MHz		
AMPS Maximum Output Power		31		dBm		
AMPS Efficiency	48	55		%		
AMPS Gain	24	28				
AMPS Second Harmonics		-35	-30	dBc		
AMPS Third Harmonics		-40	-30	dBc		
Power Supply						
Supply Voltage	3.2	3.4	4.2	V	V _{MODE} =low and V _{REG} =2.8V V _{MODE} =high and V _{REG} =2.8V V _{MODE} =high	
High Gain Idle Current		55	80	mA		
Low Gain Idle Current		45	70	mA		
V _{REG} Current		4.5	5.5	mA		
V _{MODE} Current		250		uA		
RF Turn On/Off Time			6	uS		
DC Turn On/Off Time			40	uS		
Total Current (Power Down)		0.2	5.0	uA		
V _{REG} Low Voltage	0		0.5	V		
V _{REG} High Voltage (Recommended)	2.75	2.8	2.95	V		
V _{REG} High Voltage (Operational)	2.7		3.0	V		
V _{MODE} Voltage	0		0.5	V		High Gain Mode
	2.0		2.8	V		Low Gain Mode

RF3163

Pin	Function	Description	Interface Schematic
1	NC	No connection. Do not connect this pin to any external circuit.	
2	VREG	Regulated voltage supply for amplifier bias circuit. In power down mode, both V_{REG} and V_{MODE} need to be LOW (<0.5V).	
3	VMODE	For nominal operation (High Power mode), V_{MODE} is set LOW. When set HIGH, devices are biased lower to improve efficiency.	
4	RF IN	RF input internally matched to 50Ω. This input is internally AC-coupled.	
5	VCC1	First stage collector supply. A 2200pF and 4.7 μF decoupling capacitor are required.	
6	NC	No connection. Do not connect this pin to any external circuit.	
7	NC	No connection. Do not connect this pin to any external circuit.	
8	GND	Ground connection.	
9	VCC2	Output stage collector supply. Please see the schematic for required external components.	
10	VCC2	Same as pin 9.	
11	VCC2	Same as pin 9.	
12	RF OUT	RF output. Internally AC-coupled.	
13	NC	No connection. Do not connect this pin to any external circuit.	
14	NC	No connection. Do not connect this pin to any external circuit.	
15	NC	No connection. Do not connect this pin to any external circuit.	
16	NC	No connection. Do not connect this pin to any external circuit.	
Pkg Base	GND	Ground connection. The backside of the package should be soldered to a top side ground pad which is connected to the ground plane with multiple vias. The pad should have a short thermal path to the ground plane.	

Evaluation Board Schematic



* The current rating for the inductor needs to be 1A.
 One example is Toko 0603 multilayer inductor with the value of 1.8 nH (Toko part number LL1608-F1N8S).
 The value of the inductor can be from 1.5nH to 2.2nH.
 Different values of the inductor will give slight shift on the tradeoff between efficiency and ACPR.

Electrostatic Discharge Sensitivity

Human Body Model (HBM)

Figure 3 shows the HBM ESD sensitivity level for each pin to ground. The ESD test is in compliance with JESD22-A114.

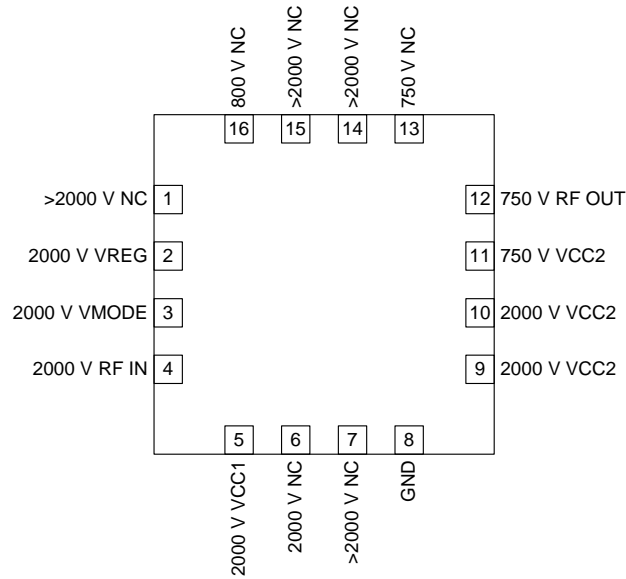


Figure 3. ESD Level - Human Body Model

Machine Model (MM)

Figure 4 shows the MM ESD sensitivity level for each pin to ground. The ESD test is in compliance with JESD22-A115.

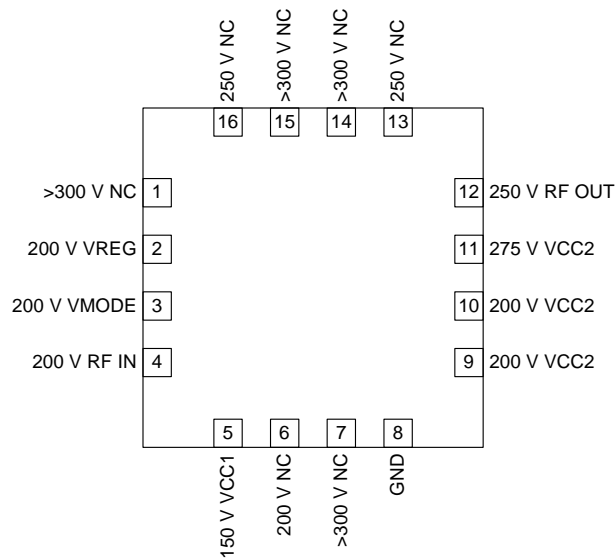


Figure 4. ESD Level - Machine Model

PCB Design Requirements

PCB Surface Finish

The PCB surface finish used for RFMD's qualification process is electroless nickel, immersion gold. Typical thickness is 3μinch to 8μinch gold over 180μinch nickel.

PCB Land Pattern Recommendation

PCB land patterns are based on IPC-SM-782 standards when possible. The pad pattern shown has been developed and tested for optimized assembly at RFMD; however, it may require some modifications to address company specific assembly processes. The PCB land pattern has been developed to accommodate lead and package tolerances.

PCB Metal Land Pattern

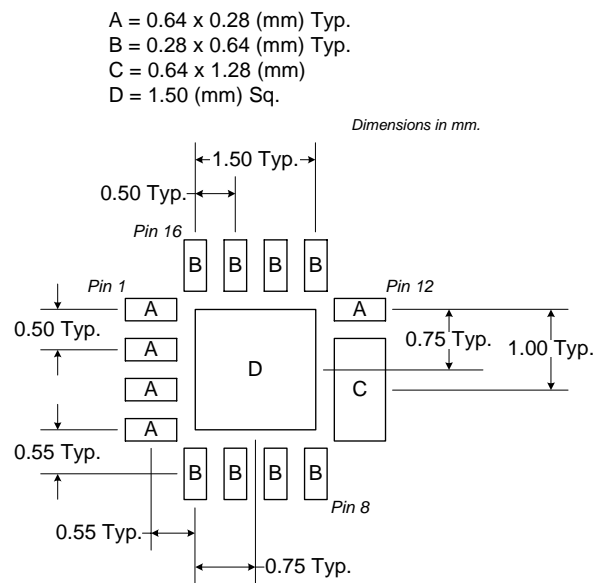


Figure 1. PCB Metal Land Pattern (Top View)

RF3163

PCB Solder Mask Pattern

Liquid Photo-Imageable (LPI) solder mask is recommended. The solder mask footprint will match what is shown for the PCB metal land pattern with a 2mil to 3mil expansion to accommodate solder mask registration clearance around all pads. The center-grounding pad shall also have a solder mask clearance. Expansion of the pads to create solder mask clearance can be provided in the master data or requested from the PCB fabrication supplier.

A = 0.74 x 0.38 (mm) Typ.
B = 0.38 x 0.74 (mm) Typ.
C = 1.60 (mm) Sq.

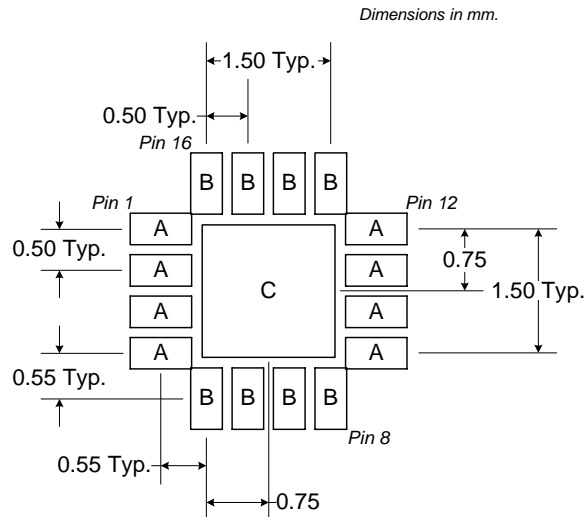


Figure 2. PCB Solder Mask Pattern (Top View)

Thermal Pad and Via Design

The PCB land pattern has been designed with a thermal pad that matches the die paddle size on the bottom of the device.

Thermal vias are required in the PCB layout to effectively conduct heat away from the package. The via pattern has been designed to address thermal, power dissipation and electrical requirements of the device as well as accommodating routing strategies.

The via pattern used for the RFMD qualification is based on thru-hole vias with 0.203mm to 0.330mm finished hole size on a 0.5mm to 1.2mm grid pattern with 0.025mm plating on via walls. If micro vias are used in a design, it is suggested that the quantity of vias be increased by a 4:1 ratio to achieve similar results.