



SPECIFICATIONS

Model Number	RF43	RF45
Test Voltage (kV Peak) 60 Hz	9	9
Rated Operating Voltage (kV Peak)		
DC or 60 Hz	7	5
2.5 MHz	7	9
16 MHz	6	6
32 MHz	4	4
Continuous Current, Carry (Amps, RMS)		
DC or 60 Hz	12	12
2.5 MHz	10	10
16 MHz	6	9
32 MHz	5	6.5
Contact Capacitance (pF)		
Between Open Contacts	1.6	.8
Open Contacts to Ground	1.1	.8
Contact Resistance (mΩ)	20	20
Operate Time (ms. max.)	10	4
Release Time (ms. max.)	10	4
Pull-in Voltage @ 25° C		
26.5 VDC Coil	16	16
Coil Resistance (Ohms ± 10%)		
26.5 VDC Coil	47	80
Shock, 1/2 Sine 11 ms.		
Peak g's	50	50
Vibration, Peak g's		
55-500 Hz	10	30
Expected Mechanical Life Cycles (X10 ⁶)	1	1
Weight, Ounces (Grams) Max.	1 (28)	1 (28)

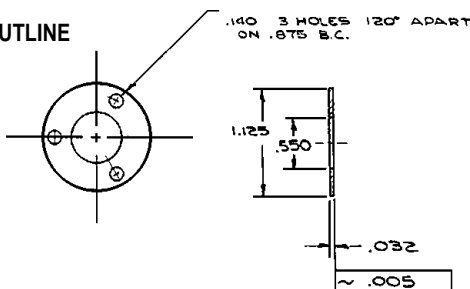
MILITARY CROSS REFERENCE

Model Number	Military Specification	Military Drawing
RF43-26S	MIL-R-83725	M83725/9-001
RF43D-26S	MIL-R-83725	M83725/9-002

FLANGE CROSS REFERENCE

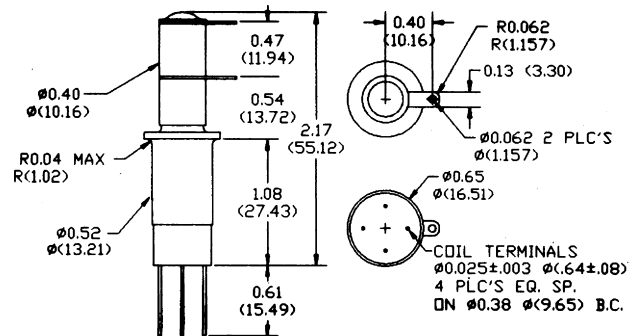
Model Number	Flange Version
RF43-26S	RF43D-26S
RF45-26S	RF45D-26S

FLANGE OUTLINE



RF43-26S

Latching, ground isolated.



RF45-26S

Latching, 4 ms. operate time.

Note: Requires heat sink, consult factory.

