

RF430CL330H-Q1 Automotive Dynamic NFC Interface Transponder

1 Device Overview

1.1 Features

- Qualified for Automotive Applications
- NFC Tag Type 4
- ISO14443B-Compliant 13.56-MHz RF Interface Supports up to 848 kbps
- SPI or I²C Interface to Write and Read NDEF Messages to Internal SRAM
- 3KB of SRAM for NDEF Messages
- Automatic Checking of NDEF Structure
- Interrupt Register and Output Pin to Indicate NDEF Read or Write Completion

1.2 Applications

- *Bluetooth*[®] Pairing
- Wi-Fi[®] Configuration
- Diagnostic Interface
- Sensor Interface

1.3 Description

The TI Dynamic Near Field Communication (NFC) Interface Transponder RF430CL330H is an NFC Tag Type 4 device that combines a wireless NFC interface and a wired SPI or I²C interface to connect the device to a host. The NDEF message in the SRAM can be written and read from the integrated SPI or I²C serial communication interface and can also be accessed and updated wirelessly through the integrated ISO14443B-compliant RF interface that supports up to 848 kbps.

This operation allows NFC connection handover for an alternative carrier like *Bluetooth*, *Bluetooth* low energy (BLE), and Wi-Fi as an easy and intuitive pairing process or authentication process with only a tap. As a general NFC interface, the RF430CL330H enables end equipments to communicate with the fast-growing infrastructure of NFC-enabled smart phones, tablets, and notebooks.

Device Information⁽¹⁾

PART NUMBER	PACKAGE	BODY SIZE ⁽²⁾
RF430CL330HTPWRQ1	TSSOP (14)	5 mm × 4.4 mm

(1) For the most current part, package, and ordering information for all available devices, see the *Package Option Addendum* in [Section 8](#), or see the TI website at www.ti.com.

(2) The sizes shown here are approximations. For the package dimensions with tolerances, see the *Mechanical Data* in [Section 8](#).

1.4 Typical Application Diagram

Figure 1-1 shows a typical application diagram for the RF430CL330H device.

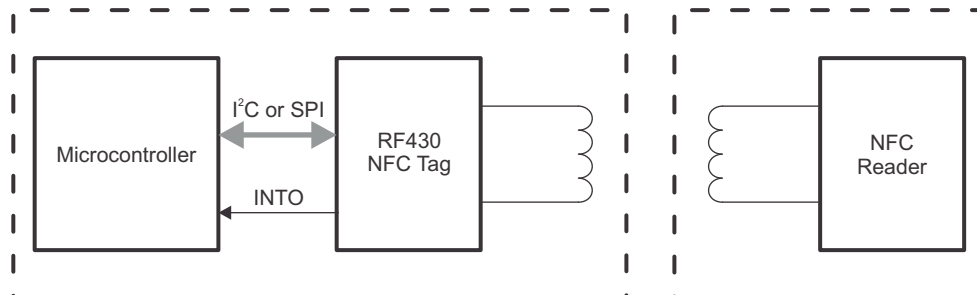


Figure 1-1. Typical Application



Table of Contents

1	Device Overview	1	5	Detailed Description	11
1.1	Features	1	5.1	Overview	11
1.2	Applications	1	5.2	Functional Block Diagram	11
1.3	Description	1	5.3	Serial Communication Interface	11
1.4	Typical Application Diagram	1	5.4	Registers	21
2	Revision History	2	5.5	NFC Type-4 Tag Functionality	27
3	Terminal Configuration and Functions	3	5.6	NDEF Memory	31
3.1	Pin Attributes	3	5.7	Identification	35
3.2	Signal Descriptions	4	6	Applications, Implementation, and Layout	36
3.3	Pin Multiplexing	5	6.1	Application Diagrams	36
3.4	Connections for Unused Pins	5	6.2	References	36
4	Specifications	6	7	Device and Documentation Support	37
4.1	Absolute Maximum Ratings	6	7.1	Device Support	37
4.2	ESD Ratings	6	7.2	Documentation Support	38
4.3	Recommended Operating Conditions	6	7.3	Community Resources	38
4.4	Recommended Operating Conditions, Resonant Circuit	6	7.4	Trademarks	39
4.5	Supply Currents	7	7.5	Electrostatic Discharge Caution	39
4.6	Electrical Characteristics, Digital Inputs	7	7.6	Export Control Notice	39
4.7	Electrical Characteristics, Digital Outputs	7	7.7	Glossary	39
4.8	Thermal Characteristics, TSSOP-14 (PW) Package	7	8	Mechanical, Packaging, and Orderable Information	40
4.9	Timing and Switching Characteristics	8			

2 Revision History

DATE	REVISION	NOTES
June 2015	*	Initial Release

3 Terminal Configuration and Functions

Figure 3-1 shows the pinout for the PW package.

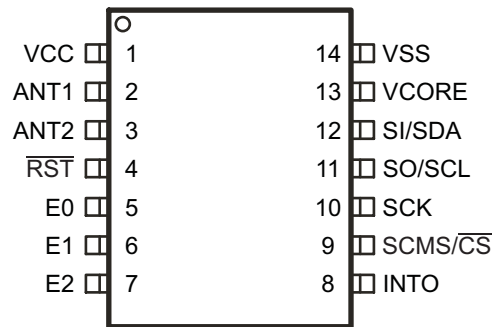


Figure 3-1. 14-Pin PW Package (Top View)

3.1 Pin Attributes

Table 3-1. Pin Attributes

PIN NO.	SIGNAL NAME ^{(1) (2)}	SIGNAL TYPE ⁽³⁾	BUFFER TYPE ⁽⁴⁾	POWER SOURCE	RESET STATE ⁽⁵⁾
1	VCC	PWR	Power	VCC	N/A
2	ANT1	RF	Analog		N/A
3	ANT2	RF	Analog		N/A
4	$\overline{\text{RST}}$	I	LVC MOS	VCC	PU
5	E0	I	LVC MOS	VCC	OFF
6	E1	I	LVC MOS	VCC	OFF
7	E2	I	LVC MOS	VCC	OFF
8	INTO	O	LVC MOS	VCC	DRIVE0
9	SCMS	I	LVC MOS	VCC	OFF
	$\overline{\text{CS}}$	I	LVC MOS	VCC	OFF
10	SCK	I	LVC MOS	VCC	OFF
11	SO	O	LVC MOS	VCC	OFF
	SCL	I/O	LVC MOS	VCC	OFF
12	SI	I	LVC MOS	VCC	OFF
	SDA	I/O	LVC MOS	VCC	OFF
13	VCORE	PWR	Power	VCC	N/A
14	VSS	PWR	Power	VCC	N/A

- (1) For each multiplexed pin, the signal that is listed first in this table is the reset default.
(2) To determine the pin mux encodings for each pin, see [Section 3.3](#).
(3) Signal Types: I = Input, O = Output, I/O = Input or Output, PWR = Power, RF = Radio frequency
(4) Buffer Types: See [Table 3-3](#) for details.
(5) Reset States:
OFF = High-impedance input with pullup or pulldown disabled (if available)
PD = High-impedance input with pulldown enabled
PU = High-impedance input with pullup enabled
DRIVE0 = Drive output low
DRIVE1 = Drive output high
N/A = Not applicable

3.2 Signal Descriptions

Table 3-2 describes the signals.

Table 3-2. Signal Descriptions

FUNCTION	SIGNAL NAME	PIN NO.	SIGNAL TYPE ⁽¹⁾	DESCRIPTION
Power	VCC	1	PWR	3.3-V power supply
	VCORE	13	PWR	Regulated core supply voltage
	VSS	14	PWR	Ground supply
RF	ANT1	2	RF	Antenna input 1
	ANT2	3	RF	Antenna input 2
Serial communication	$\overline{\text{CS}}$	9	I	Chip select (in SPI mode)
	E0	5	I	I ² C address select 0 SPI mode select 0
	E1	6	I	I ² C address select 1 SPI mode select 1
	E2	7	I	I ² C address select 2 ⁽²⁾
	SCK	10	I	SPI clock input (SPI mode)
	SCL	11	I/O	I ² C clock (I ² C mode)
	SCMS	9	I	Serial communication mode select (during device initialization) ⁽³⁾
	SDA		I/O	I ² C data (I ² C mode)
	SI	12	I	SPI slave in (SPI mode)
SO	11	O	SPI slave out (SPI mode)	
System	INTO	8	O	Interrupt output
	$\overline{\text{RST}}$	4	I	Reset input (active low) ⁽⁴⁾

(1) I = Input, O = Output, PWR = Power, RF = RF Antenna

(2) Tie low in SPI mode to avoid floating inputs.

(3) Selects I²C or SPI mode during the power-up and initialization phase (see Section 5.3.1). Tie SCMS/ $\overline{\text{CS}}$ low to select I²C mode.

(4) With integrated pullup.

3.3 Pin Multiplexing

The only pin multiplexing in this device is for the serial communication pins and is based on the mode (SPI or I²C) that is selected during power up. For details, see [Section 5.3.1, SPI or I²C Mode Selection](#).

Table 3-3. Buffer Type

BUFFER TYPE (STANDARD)	NOMINAL VOLTAGE	HYSTERESIS	PU OR PD	NOMINAL PU OR PD STRENGTH (μA)	OUTPUT DRIVE STRENGTH (mA)	OTHER CHARACTERISTICS
LVC MOS	3.3 V	Y	N/A	See Section 4.6, Digital Inputs	See Section 4.7, Digital Outputs	
Analog, RF	3.3 V	N	N/A	N/A	N/A	See analog modules in <i>Specifications (Section 4)</i> for details
Power	3.3 V	Y with SVS on	N/A	N/A	N/A	

3.4 Connections for Unused Pins

[Table 3-4](#) describes the recommended connections for unused pins.

Table 3-4. Connections for Unused Signals

FUNCTION	SIGNAL NAME	PIN NUMBER	ACCEPTABLE PRACTICE	PREFERRED PRACTICE
I ² C	SCK	10	Connect to V _{SS}	Connect to V _{SS}
SPI	E2	7	Connect to V _{SS}	Connect to V _{SS}

4 Specifications

4.1 Absolute Maximum Ratings^{(1) (2)}

	MIN	MAX	UNIT
Voltage applied at V_{CC} referenced to V_{SS} (V_{AMR})	-0.3	4.1	V
Voltage applied at V_{ANT} referenced to V_{SS} (V_{AMR})	-0.3	4.1	V
Voltage applied to any pin (references to V_{SS})	-0.3	$V_{CC} + 0.3$	V
Diode current at any device pin		± 2	mA
Storage temperature, T_{stg} ⁽³⁾	-40	125	°C

- (1) Stresses beyond those listed under *Absolute Maximum Ratings* may cause permanent damage to the device. These are stress ratings only, and functional operation of the device at these or any other conditions beyond those indicated under [Recommended Operating Conditions](#) is not implied. Exposure to absolute-maximum-rated conditions for extended periods may affect device reliability.
- (2) All voltages are referenced to V_{SS} .
- (3) For soldering during board manufacturing, it is required to follow the current JEDEC J-STD-020 specification with peak reflow temperatures not higher than classified on the device label on the shipping boxes or reels.

4.2 ESD Ratings

		VALUE	UNIT
$V_{(ESD)}$	Electrostatic discharge	Human-body model (HBM), per ANSI/ESDA/JEDEC JS-001 ⁽¹⁾	± 4000
		Charged-device model (CDM), per JEDEC specification JESD22-C101 ⁽²⁾	± 1500

- (1) JEDEC document JEP155 states that 500-V HBM allows safe manufacturing with a standard ESD control process.
- (2) JEDEC document JEP157 states that 250-V CDM allows safe manufacturing with a standard ESD control process.

4.3 Recommended Operating Conditions

Typical values are specified at $V_{CC} = 3.3$ V and $T_A = 25^\circ\text{C}$ (unless otherwise noted)

		MIN	NOM	MAX	UNIT	
V_{CC}	Supply voltage	During program execution no RF field present	3.0	3.3	3.6	V
		During program execution with RF field present	2.0	3.3	3.6	
V_{SS}	Supply voltage (GND reference)		0		V	
T_A	Operating free-air temperature	-40		105	°C	
C_1	Decoupling capacitor on V_{CC} ⁽¹⁾		0.1		μF	
C_2	Decoupling capacitor on V_{CC} ⁽¹⁾		1		μF	
$C_{V_{CORE}}$	Capacitor on V_{CORE} ⁽¹⁾	0.1	0.47	1	μF	

- (1) Low equivalent series resistance (ESR) capacitor

4.4 Recommended Operating Conditions, Resonant Circuit

		MIN	NOM	MAX	UNIT
f_c	Carrier frequency		13.56		MHz
V_{ANT_peak}	Antenna input voltage			3.6	V
Z	Impedance of LC circuit	6.5		15.5	k Ω
L_{RES}	Coil inductance ⁽¹⁾		2.66		μH
C_{RES}	Total resonance capacitance ⁽¹⁾ $C_{RES} = C_{IN} + C_{Tune}$		51.8		pF
C_{Tune}	External resonance capacitance		$C_{RES} - C_{IN}$ ⁽²⁾		pF
QT	Tank quality factor		30		

- (1) The coil inductance of the antenna L_{RES} together with the external capacitance C_{Tune} plus the device internal capacitance C_{IN} is a resonant circuit. The resonant frequency of this LC circuit must be close to the carrier frequency f_c :
- $$f_{RES} = 1 / [2\pi(L_{RES}C_{RES})^{1/2}] = 1 / [2\pi(L_{RES}(C_{IN} + C_{Tune}))^{1/2}] \approx f_c$$
- (2) For C_{IN} refer to [Table 4-4](#).

4.5 Supply Currents

over recommended ranges of supply voltage and operating free-air temperature (unless otherwise noted)

Typical values are specified at $V_{CC} = 3.3\text{ V}$ and $T_A = 25^\circ\text{C}$

PARAMETER		V_{CC}	MIN	TYP	MAX	UNIT
$I_{CC(SPI)}$	SPI, $f_{SCK,MAX}$, SO = Open, Writing into NDEF memory	3.3 V		45	1250	μA
$I_{CC(I2C)}$	I ² C, 400 kHz, Writing into NDEF memory	3.3 V		30	750	μA
$I_{CC(RF\ enabled)}$	RF enabled, no RF field present	3.3 V		40	175	μA
$I_{CC(Inactive)}$	Standby enable = 0, RF disabled, no serial communication	3.3 V		15	140	μA
$I_{CC(Standby)}$	Standby enable = 1, RF disabled, no serial communication	3.3 V		10	110	μA

4.6 Electrical Characteristics, Digital Inputs

over recommended ranges of supply voltage and operating free-air temperature (unless otherwise noted)

Typical values are specified at $V_{CC} = 3.3\text{ V}$ and $T_A = 25^\circ\text{C}$

PARAMETER		V_{CC}	MIN	TYP	MAX	UNIT
V_{IL}	Low-level input voltage			$0.3 \times V_{CC}$		V
V_{IH}	High-level input voltage		$0.7 \times V_{CC}$			V
V_{HYS}	Input hysteresis		$0.1 \times V_{CC}$			V
I_L	High-impedance leakage current	3.3 V	-180		180	nA
$R_{PU(RST)}$	Integrated \overline{RST} pullup resistor		20	35	50	k Ω
$R_{PU(CS)}$	Integrated $\overline{SCMS}/\overline{CS}$ pullup resistor (only active during initialization)		20	35	50	k Ω

4.7 Electrical Characteristics, Digital Outputs

over recommended ranges of supply voltage and operating free-air temperature (unless otherwise noted)

PARAMETER		TEST CONDITIONS	V_{CC}	MIN	MAX	UNIT
V_{OL}	Output low voltage	$I_{OL} = 3\text{ mA}$	3 V		0.4	V
			3.3 V		0.4	
			3.6 V		0.4	
V_{OH}	Output high voltage	$I_{OH} = -3\text{ mA}$	3 V	2.6		V
			3.3 V	2.9		
			3.6 V	3.2		

4.8 Thermal Characteristics, TSSOP-14 (PW) Package

over operating free-air temperature range (unless otherwise noted)

PARAMETER		VALUE	UNIT
θ_{JA}	Junction-to-ambient thermal resistance, still air ⁽¹⁾	116.0	$^\circ\text{C}/\text{W}$
$\theta_{JC(TOP)}$	Junction-to-case (top) thermal resistance ⁽²⁾	45.1	$^\circ\text{C}/\text{W}$
θ_{JB}	Junction-to-board thermal resistance ⁽³⁾	57.6	$^\circ\text{C}/\text{W}$
Ψ_{JB}	Junction-to-board thermal characterization parameter	57.0	$^\circ\text{C}/\text{W}$
Ψ_{JT}	Junction-to-top thermal characterization parameter	4.6	$^\circ\text{C}/\text{W}$

- (1) The junction-to-ambient thermal resistance under natural convection is obtained in a simulation on a JEDEC-standard, High-K board, as specified in JESD51-7, in an environment described in JESD51-2a.
- (2) The junction-to-case (top) thermal resistance is obtained by simulating a cold plate test on the package top. No specific JEDEC standard test exists, but a close description can be found in the ANSI SEMI standard G30-88.
- (3) The junction-to-board thermal resistance is obtained by simulating in an environment with a ring cold plate fixture to control the PCB temperature, as described in JESD51-8.

4.9 Timing and Switching Characteristics

4.9.1 Reset Timing

Table 4-1. Serial Communication Protocol Selection

over recommended ranges of supply voltage and operating free-air temperature (unless otherwise noted)

PARAMETER		MIN	MAX	UNIT
$t_{SP VSI2C}$	Time after power up or reset until SCMS/ \overline{CS} is sampled for SPI or I ² C decision ⁽¹⁾	1	10	ms
t_{Ready}	Time after power up or reset until device is ready to communicate using SPI or I ² C ⁽²⁾		20	ms

(1) The SCMS/ \overline{CS} pin is sampled after $t_{SP|VSI2C}(\text{MIN})$ at the earliest and after $t_{SP|VSI2C}(\text{MAX})$ at the latest.

(2) The device is ready to communicate after $t_{Ready}(\text{MAX})$ at the latest.

4.9.2 I²C Interface

Table 4-2. I²C Interface Timing

over recommended ranges of supply voltage and operating free-air temperature (unless otherwise noted) (see [Figure 4-1](#))

PARAMETER		TEST CONDITIONS	V _{CC}	MIN	MAX	UNIT	
f_{SCL}	SCL clock frequency	With master supporting clock stretching according to I ² C standard, or when the device is not being addressed	3.3 V	0	400	kHz	
		Device being addressed by master not supporting clock stretching		Write	0		120
				Read	0		100
$t_{HD,STA}$	Hold time (repeated) START	$f_{SCL} \leq 100$ kHz $f_{SCL} > 100$ kHz	3.3 V	4 0.6		μ s	
$t_{SU,STA}$	Setup time for a repeated START	$f_{SCL} \leq 100$ kHz $f_{SCL} > 100$ kHz	3.3 V	4.7 0.6		μ s	
$t_{HD,DAT}$	Data hold time		3.3 V	0		ns	
$t_{SU,DAT}$	Data setup time		3.3 V	250		ns	
$t_{SU,STO}$	Setup time for STOP		3.3 V	4		μ s	
t_{SP}	Pulse duration of spikes suppressed by input filter		3.3 V	6.25	75	ns	

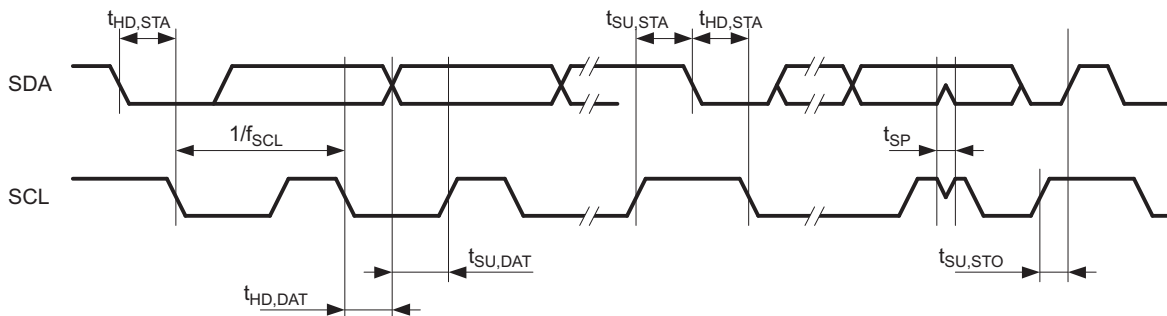


Figure 4-1. I²C Mode Timing

4.9.3 SPI Interface

Table 4-3. SPI Interface Timing

over recommended ranges of supply voltage and operating free-air temperature (unless otherwise noted)

PARAMETER		TEST CONDITIONS	V _{CC}	MIN	MAX	UNIT
f _{SCK}	SCK clock frequency	Write	3.3 V	0	100	kHz
		Read	3.3 V	0	110	
t _{HIGH,CS}	\overline{CS} high time		3.3 V	50		μs
t _{SU,CS}	\overline{CS} setup time		3.3 V	25		μs
t _{HD,CS}	\overline{CS} hold time		3.3 V	100		ns
t _{HIGH}	SCK high time		3.3 V	100		ns
t _{LOW}	SCK low time		3.3 V	100		ns
t _{SU,SI}	Data in (SI) setup time		3.3 V	50		ns
t _{HD,SI}	Data in (SI) hold time		3.3 V	50		ns
t _{VALID,SO}	Data out (SO) valid		3.3 V	0	50	ns
t _{HOLD,SO}	Data out (SO) hold time		3.3 V	0		ns

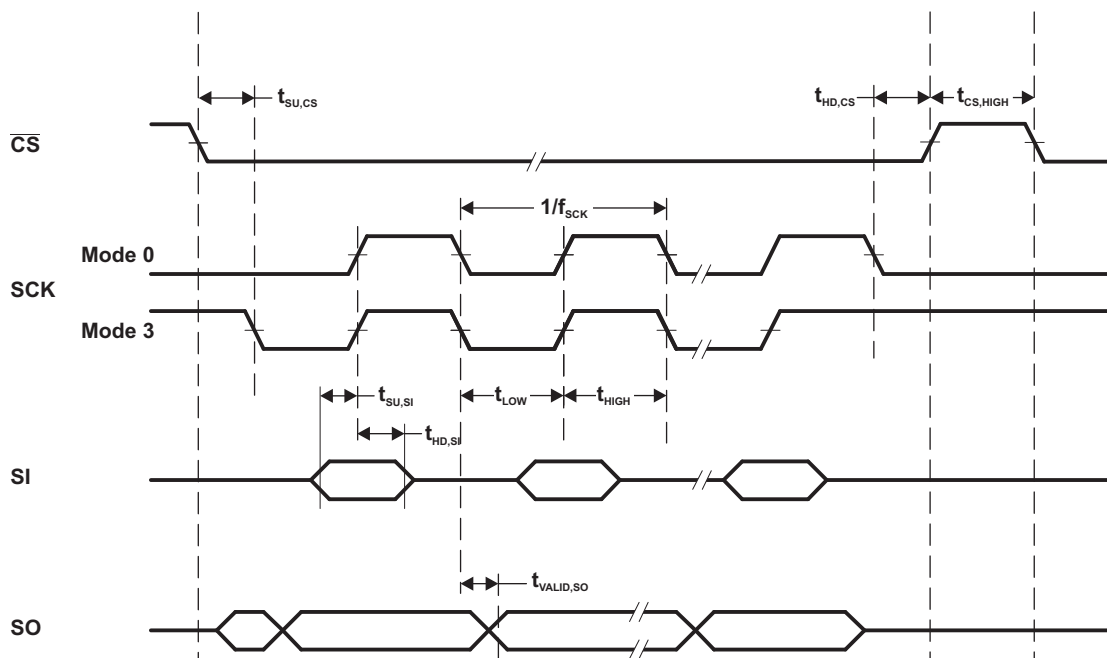


Figure 4-2. SPI Mode Timing

4.9.4 RF143B Module

Table 4-4. RF143B, Recommended Operating Conditions

over recommended ranges of supply voltage and operating free-air temperature (unless otherwise noted)

PARAMETER		TEST CONDITIONS	MIN	TYP	MAX	UNIT
V _{DDH}	Antenna rectified voltage	Peak voltage limited by antenna limiter	3.0	3.3	3.6	V
I _{DDH}	Antenna load current	RMS, without limiter current			100	μA
C _{IN}	Input capacitance	ANT1 to ANT2, 2 V RMS	31.5	35	38.5	pF

Table 4-5. RF143B, ISO14443B ASK Demodulator

over recommended ranges of supply voltage and operating free-air temperature (unless otherwise noted)

PARAMETER		MIN	TYP	MAX	UNIT
DR ₁₀	Input signal data rate 10% downlink modulation, 7% to 30% ASK, ISO1443B		106	848	kbps
m10	Modulation depth 10%, tested as defined in ISO10373	7%		30%	

Table 4-6. RF143B, ISO14443B-Compliant Load Modulator

over recommended ranges of supply voltage and operating free-air temperature (unless otherwise noted)

PARAMETER		MIN	MAX	UNIT
f _{PICC}	Uplink subcarrier modulation frequency	0.2	1	MHz
V _{A_MOD}	Modulated antenna voltage, V _{A_unmod} = 2.3 V	0.5		V
V _{SUB14}	Uplink modulation subcarrier level, ISO14443B: H = 1.5 to 7.5 A/m	22/H ^{0.5}		mV

Table 4-7. RF143B, Power Supply

over recommended ranges of supply voltage and operating free-air temperature (unless otherwise noted)

PARAMETER		TEST CONDITIONS	MIN	MAX	UNIT
V _{LIM}	Limiter clamping voltage	I _{LIM} ≤ 70 mA RMS, f = 13.56 MHz	3.0	3.6	V _{pk}
I _{LIM,MAX}	Maximum limiter current			70	mA

5 Detailed Description

5.1 Overview

Figure 5-1 shows the functional block diagram.

5.2 Functional Block Diagram

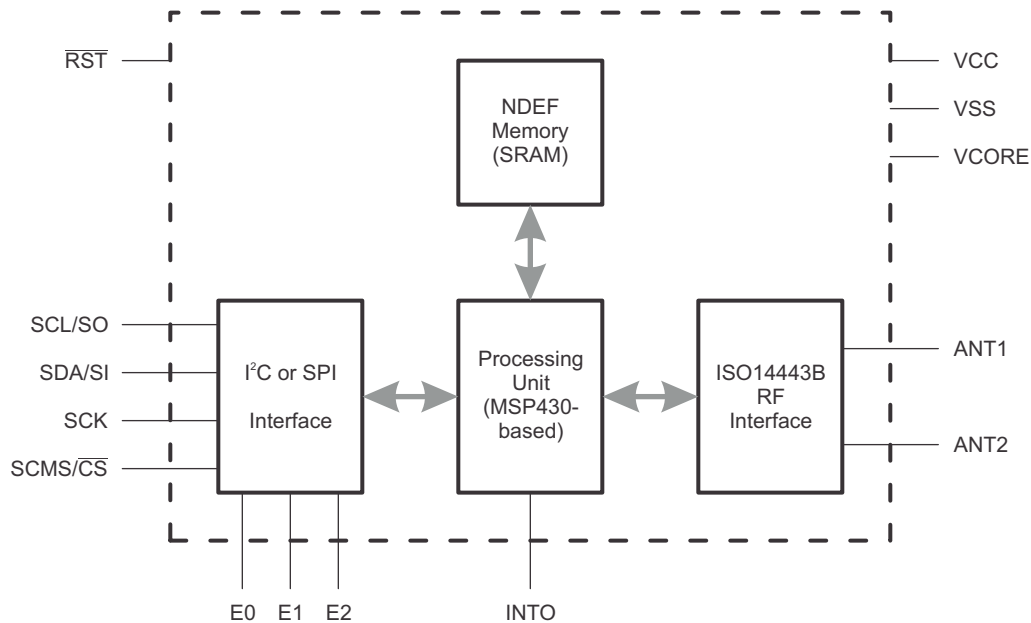


Figure 5-1. Functional Block Diagram

5.3 Serial Communication Interface

A dual-mode serial communication interface supports either SPI or I²C communication. The serial interface allows writing and reading the internal NDEF memory as well as configuring the device operation.

5.3.1 SPI or I²C Mode Selection

The selection between I²C or SPI mode occurs during the power-up and initialization phase of the device based on the input level at pin SCMS/ \overline{CS} (see Table 5-1).

Table 5-1. SPI or I²C Mode Selection

INPUT LEVEL AT SCMS/ \overline{CS} DURING INITIALIZATION	SELECTED SERIAL INTERFACE
0	I ² C
1	SPI

During initialization, an integrated pullup resistor pulls SCMS/ \overline{CS} high, which makes SPI the default interface. To enable I²C, this pin must be tied low externally. The pullup resistor is disabled after initialization to avoid any current through the resistor during normal operation. In SPI mode, the pin reverts to its \overline{CS} functionality after initialization.

5.3.2 Communication Protocol

The tag is programmed and controlled by writing data into and reading data from the address map shown in [Table 5-2](#) through the serial interface (SPI or I²C).

Table 5-2. User Address Map

RANGE	ADDRESS	SIZE	DESCRIPTION
Registers	0xFFFE	2B	Control Register
	0xFFFC	2B	Status Register
	0xFFFA	2B	Interrupt Enable
	0xFFF8	2B	Interrupt Flags
	0xFFF6	2B	CRC Result (16-bit CCITT)
	0xFFF4	2B	CRC Length
	0xFFF2	2B	CRC Start Address
	0xFFF0	2B	Communication Watchdog Control Register
	0xFFEE	2B	Version
	0xFFEC	2B	Reserved
	0xFFEA	2B	Reserved
	0xFFE8	2B	Reserved
	0xFFE6	2B	Reserved
	0xFFE4	2B	Reserved
	0xFFE2	2B	Reserved
0xFFE0	2B	Reserved	
Reserved	0x4000 to 0xFFDF		Reserved
	0x0C00 to 0x3FFF	13KB	Reserved (for example, future extension of NDEF Memory size)
NDEF	0x0000 to 0x0BFF	3KB	NDEF Memory

NOTE

Crossing range boundaries causes writes to be ignored and reads to return undefined data.

5.3.3 I²C Protocol

A command is always initiated by the master by addressing the device using the specified I²C device address. The device address is a 7-bit I²C address. The upper 4 bits are hard-coded, and the lower 3 bits are programmable by the input pins E0 through E2.

Table 5-3. I²C Device Address

Bit 6	Bit 5	Bit 4	Bit 3	Bit 2	Bit 1	Bit 0
0	1	0	1	E2	E1	E0
MSB						LSB

To write data, the device is addressed using the specified I²C device address with $R/\overline{W} = 0$, followed by the upper 8 bits of the first address to be written and the lower 8 bits of that address. Next (without a repeated START), the data to be written starting at the specified address is received. With each data byte received, the address is automatically incremented by 1. The write access is terminated by the STOP condition on the I²C bus.

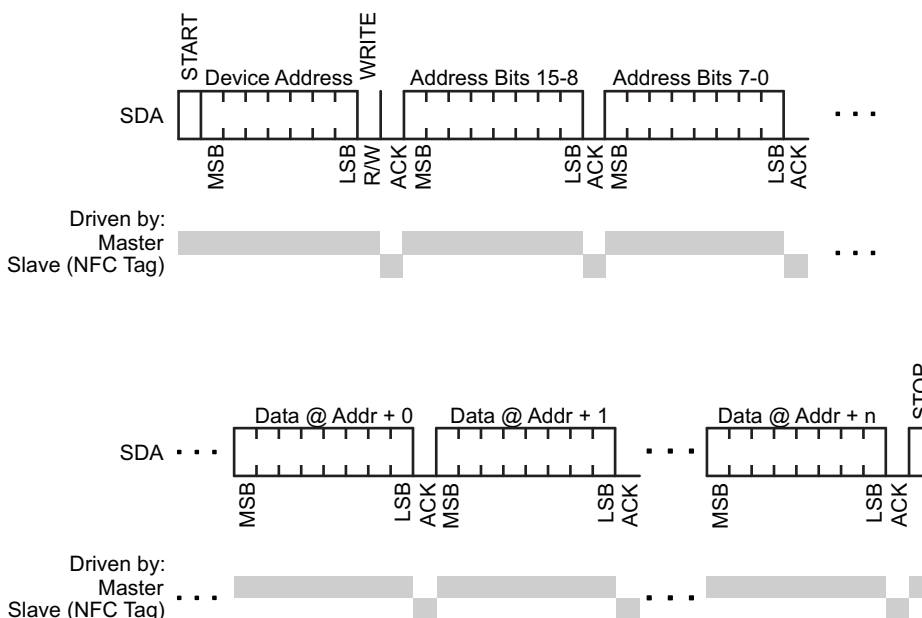


Figure 5-2. I²C Write Access

To read data, the device is addressed using the specified I²C device address with $R/\overline{W} = 0$, followed by the upper 8 bits of the first address to be read and then the lower 8 bits of that address. Next, a repeated START condition is expected with the I²C device address and $R/\overline{W} = 1$. The device then transmit data starting at the specified address until a NACK and a STOP condition are received.

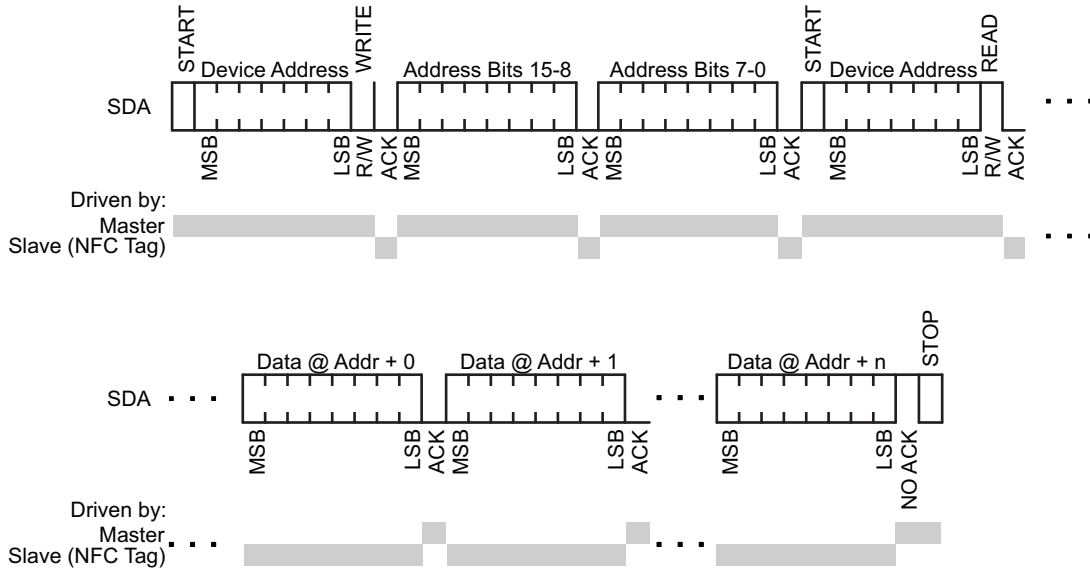


Figure 5-3. I²C Read Access

Figure 5-4 and Figure 5-5 show examples of I²C access to the Control register at address 0xFFFE.

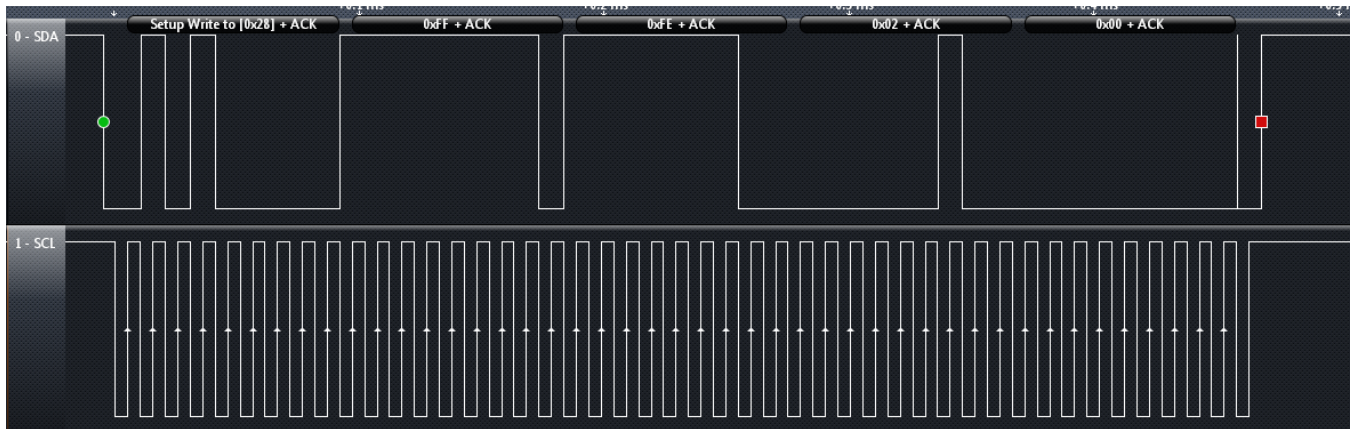


Figure 5-4. I²C Access Example: Write of the Control Register at Address 0xFFFE With 0x00, 0x02 (RF Enable = 1)

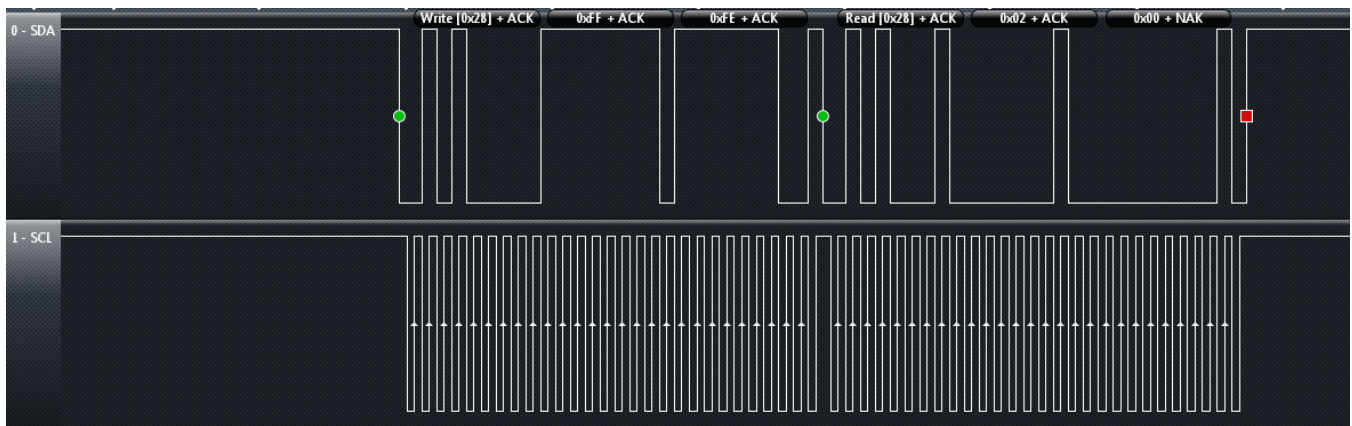


Figure 5-5. I²C Access Example: Read of the Control Register at Address 0xFFFE, Responds With 0x00, 0x02 (RF Enable = 1)

5.3.3.1 Bit-Interleaved Parity (BIP-8) Communication Mode With I²C

The BIP-8 communication mode is enabled by setting the BIP-8 bit in the General Control register. All communication after setting this bit uses the following conventions with exactly 2 address bytes (16-bit address) and 2 data bytes (16-bit data).

Table 5-4. Write Access

Master	Address Bits 15 to 8	Address Bits 7 to 0	Data at Addr + 0	Data at Addr + 1	BIP-8
Slave	N/A	N/A	N/A	N/A	N/A

The BIP-8 is calculated using 16-bit address and 16-bit data. If the received BIP-8 does not match with received data no write will be performed. The BIP-8 calculation does not include the I²C device address.

Table 5-5. Read Access

Master	Address Bits 15 to 8	Address Bits 7 to 0	N/A	N/A	N/A
Slave	N/A	N/A	Data at Addr + 0	Data at Addr + 1	BIP-8

For read access, the BIP-8 is calculated using the received 16-bit address and the 2 transmitted data bytes, and it is transmitted back to the master. The BIP-8 calculation does not include the device address.

5.3.4 SPI Protocol

The SPI communication mode (SCK idle state and clock phase) is selected by tying E0 and E1 to VSS or VCC according to [Table 5-6](#).

Table 5-6. SPI Mode Selection

E1	E0	SPI MODE
0	0	SPI Mode 0 with CPOL = 0 and CPHA = 0 SCK idle state: 0 SI capture starts on the first edge: SI data is captured on the rising edge, and SO data is propagated on the falling edge.
0	1	SPI Mode 1 with CPOL = 0 and CPHA = 1 SCK idle state: 0 SI capture starts on the second edge: SI data is captured on the falling edge, and SO data is propagated on the rising edge.
1	0	SPI Mode 2 with CPOL = 1 and CPHA = 0 SCK idle state: 1 SI capture starts on the first edge: SI data is captured on the falling edge, and SO data is propagated on the rising edge.
1	1	SPI Mode 3 with CPOL = 1 and CPHA = 1 SCK idle state: 1 SI capture starts on the second edge: SI data is captured on the rising edge, and SO data is propagated on the falling edge.

An SPI communication is always initiated by the master by pulling the \overline{CS} pin low.

To write data into the device (see [Figure 5-6](#)), this is followed by the master sending a write command (0x02) followed by the upper 8 bits of the first address to be written and then the lower 8 bits of that address. Next, the data to be written starting at the specified address is received. With each data byte received, the address is automatically incremented by 1. The write access is terminated by pulling the \overline{CS} pin high.

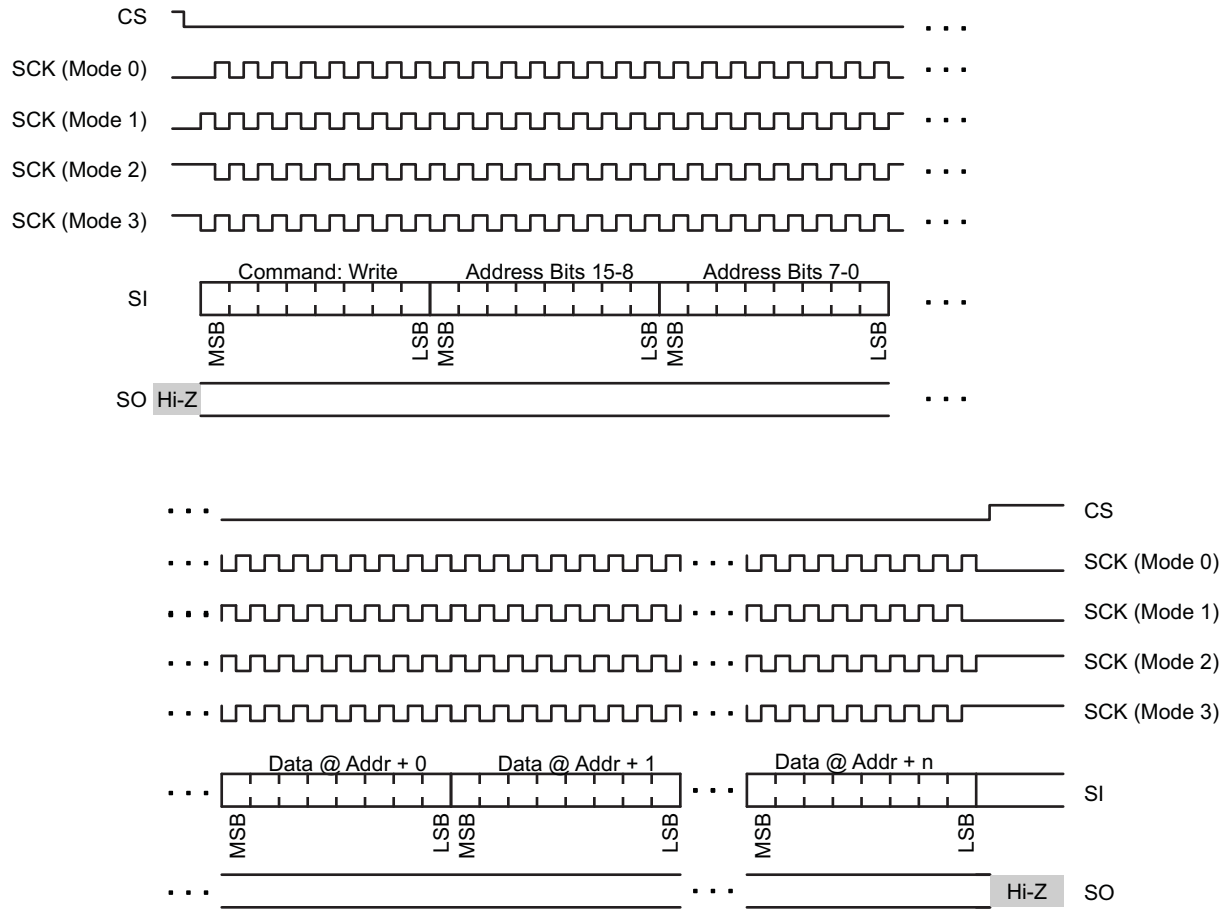


Figure 5-6. SPI Write Access

To read data from the device (see [Figure 5-7](#)), pulling the \overline{CS} pin low is followed by the master sending a read command (0x03 or 0x0B) followed by the upper 8 bits of the first address to be read, the lower 8 bits of that address, and a dummy byte. The device responds with the data that is read starting at the specified address until the \overline{CS} pin is pulled high.

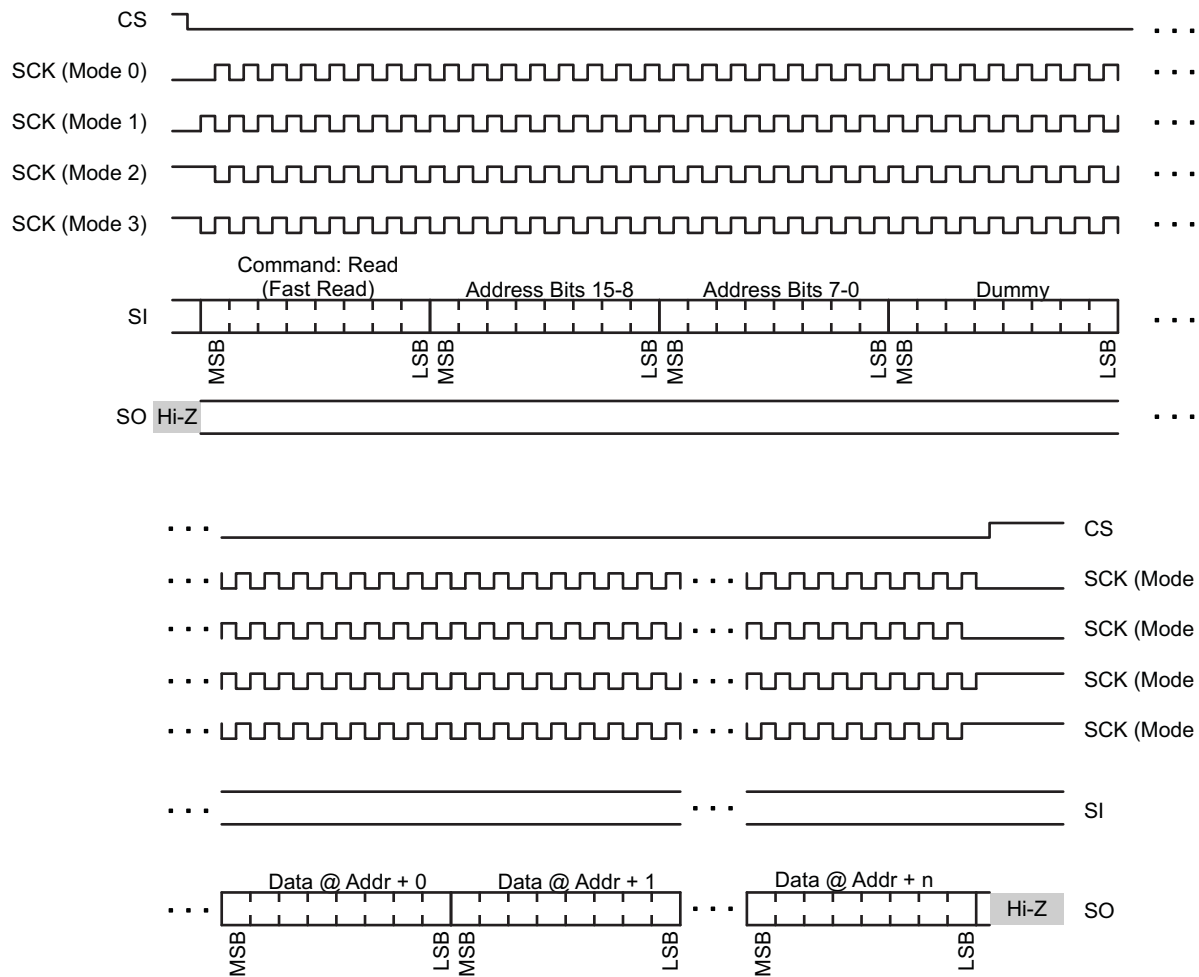


Figure 5-7. SPI Read Access (Command: 0x03 or 0x0B)

Commands other than write (0x02) and read (0x03 or 0x0B) are ignored. There is no difference in using the read command 0x03 or 0x0B.

Figure 5-8 and Figure 5-9 show examples of SPI accesses to the Control register at address 0xFFFE.



Figure 5-8. SPI Access Example: Write of the Control Register at Address 0xFFFE With 0x00, 0x02 (RF Enable = 1)



Figure 5-9. SPI Access Example: Read of the Control Register at Address 0xFFFFE, Responds With 0x00, 0x02 (RF Enable = 1)

5.3.4.1 BIP-8 Communication Mode With SPI

The BIP-8 communication mode is enabled by setting the BIP-8 bit in the General Control register. All communication after setting this bit uses the following conventions with exactly 2 address bytes (16-bit address) and 2 data bytes (16-bit data).

Table 5-7. Write Access

SI	Command: Write	Address Bits 15 to 8	Address Bits 7 to 0	Data at Addr + 0	Data at Addr + 1	BIP-8
SO	N/A	N/A	N/A	N/A	N/A	N/A

The BIP-8 is calculated using 16-bit address and 16-bit data. If the received BIP-8 does not match with received data no write will be performed. The BIP-8 calculation does not include the write-command byte.

Table 5-8. Read Access

SI	Command: Read	Address Bits 15 to 8	Address Bits 7 to 0	Dummy Byte	N/A	N/A	N/A
SO	N/A	N/A	N/A	N/A	Data at Addr + 0	Data at Addr + 1	BIP-8

For read access the BIP-8 is calculated using the received 16-bit address, the received dummy byte and the 2 transmitted data bytes and transmitted back to the master. The BIP-8 calculation does not include the read-command byte.

5.4 Registers

NOTE

All 16-bit registers are little-endian: the least significant byte with bits 7-0 is at the lowest address (this address is always even). The most significant byte with bits 15-8 is at the highest address (always odd).

5.4.1 General Control Register

Table 5-9. General Control Register

Address	15	14	13	12	11	10	9	8
0xFFFF	Reserved							
Address	7	6	5	4	3	2	1	0
0xFFFE	Reserved	Standby Enable	BIP-8	INTO Drive	INTO High	Enable INT	Enable RF	SW-Reset

Table 5-10. General Control Register Description

BIT	FIELD	TYPE	RESET	DESCRIPTION
0	SW-Reset	W	0	0b = Always reads 0. 1b = Resets the device to default settings and clears memory. The serial communication is restored after t_{Ready} , and the register settings and NDEF memory must be restored afterward.
1	Enable RF	R/W	0	Global enable of RF interface. The RF interface should be disabled when writing to the NDEF memory. Enabling the RF interface triggers a basic check of the NDEF structure. If this check fails, the RF interface remains disabled and the NDEF Error interrupt flag is set. When the RF interface is enabled, writes using the serial interface (except to disable the RF interface) are discouraged to avoid any interference with RF communication. 0b = RF interface disabled 1b = RF interface enabled
2	Enable INT	R/W	0	Global Interrupt Output Enable 0b = Interrupt output disabled. The INTO pin is Hi-Z. 1b = Interrupt output enabled. The INTO pin signals any enabled interrupt according to the INTO High and INTO Drive bits.
3	INTO High	R/W	0	Interrupt Output pin INTO Configuration 0b = Interrupts are signaled with an active low 1b = Interrupts are signaled with an active high
4	INTO Drive	R/W	0	Interrupt Output pin INTO Configuration 0b = Pin is Hi-Z if there is no pending interrupt. Application provides an external pullup resistor if bit 3 (INTO Active High) = 0. Application provides an external pulldown resistor if bit 3 (INTO Active High) = 1. 1b = Pin is actively driven high or low if there is no pending interrupt. It is driven high if bit 3 (INTO Active High) = 0. It is driven low if bit 3 (INTO Active High) = 1.

Table 5-10. General Control Register Description (continued)

BIT	FIELD	TYPE	RESET	DESCRIPTION
5	BIP-8	R/W	0	<p>Enables BIP-8 communication mode (bit interleaved parity).</p> <p>If BIP-8 is enabled, a separate running tally is kept of the parity (that is, the number of ones that occur) for every bit position in the bytes included in the BIP-8 calculation. The corresponding bit position of the BIP-8 byte is set to 1 if the parity is currently odd and is set to 0 if the parity is even – resulting in an overall even parity for each bit position including the BIP-8 byte.</p> <p>All communication when this bit is set must follow the conventions defined in the BIP-8 communication mode sections for I2C and SPI.</p> <p>0b = BIP-8 communication mode disabled 1b = BIP-8 communication mode enabled</p>
6	Standby Enable	R/W	0	<p>Enables a low-power standby mode. The standby mode is entered if the RF interface is disabled, the communication watchdog is disabled, and no serial communication is ongoing.</p> <p>0b = Standby mode disabled 1b = Standby mode enabled</p>
7	Reserved	R/W	0	
8-15	Reserved	R	0	

5.4.2 Status Register

Table 5-11. Status Register

Address	15	14	13	12	11	10	9	8	
0xFFFF	Reserved								
Address	7	6	5	4	3	2	1	0	
0xFFFC	Reserved					RF Busy	CRC Active	NDEF Ready	

Table 5-12. Status Register Description

BIT	FIELD	TYPE	RESET	DESCRIPTION
0	NDEF Ready	R	0	<p>0b = Device not ready to receive updates to the NDEF memory from the serial interface.</p> <p>1b = Device ready. NDEF memory can be written by the serial interface.</p>
1	CRC Active	R	0	<p>0b = No CRC calculation ongoing 1b = CRC calculation ongoing</p>
2	RF Busy	R	0	<p>0b = No RF communication ongoing 1b = RF communication ongoing</p>
3-15	Reserved	R	0	

5.4.3 Interrupt Registers

The interrupt enable register (see [Table 5-13](#) and [Table 5-14](#)) determines which interrupt events are signaled on the external output pin INTO. Setting any bit high in this register allows the corresponding event to trigger the interrupt signal. See [Table 5-17](#) for a description of each interrupt.

All enabled interrupt signals are ORed together, and the result is signaled on the output pin INTO.

Table 5-13. Interrupt Enable Register

Address	15	14	13	12	11	10	9	8
0xFFFB	Reserved							
Address	7	6	5	4	3	2	1	0
0xFFFA	Generic Error	Reserved	NDEF Error	BIP-8 Error Detected	CRC Calculation Completed	End of Write	End of Read	Reserved

Table 5-14. Interrupt Enable Register Description

BIT	FIELD	TYPE	RESET	DESCRIPTION
0-15	Interrupt Enables	R/W	0	Enable for the corresponding IRQ. All enabled interrupt signals are ORed together, and the result is signaled on the output pin INTO. 0b = IRQ disabled 1b = IRQ enabled

The interrupt flag register (see [Table 5-15](#) and [Table 5-16](#)) is used to report the status of any interrupts that are pending. Setting any bit high in this register acknowledges and clears the interrupt associated with the respective bit. See [Table 5-17](#) for a description of each interrupt.

Table 5-15. Interrupt Flag Register

Address	15	14	13	12	11	10	9	8
0xFFF9	Reserved							
Address	7	6	5	4	3	2	1	0
0xFFF8	Generic Error	Reserved	NDEF Error	BIP-8 Error Detected	CRC Calculation Completed	End of Write	End of Read	Reserved

Table 5-16. Interrupt Flag Register Description

BIT	FIELD	TYPE	RESET	DESCRIPTION
0-15	Interrupt Flags	R/W	0	Flag pending IRQ. Read Access: 0b = No pending IRQ. 1b = Pending IRQ. Write Access: 0b = No change. 1b = Clear pending IRQ flag.

Table 5-17. Interrupts

BIT	FIELD	DESCRIPTION
0	Reserved	
1	End of Read	This IRQ occurs when the RF field is turned off by the reader after the reader has performed a read of the NDEF message.
2	End of Write	This IRQ occurs when the RF field is turned off by the reader after the reader has performed a write into the NDEF message.
3	CRC Calculation Completed	This IRQ occurs when a CRC calculation that is triggered by writing into the CRC registers is completed and the result can be read from the CRC result register (see Section 5.4.4).
4	BIP-8 Error Detected	This IRQ occurs when a BIP-8 error is detected (only if the BIP-8 communication mode is enabled).
5	NDEF Error	This IRQ occurs if an error is detected in the NDEF structure after an attempt to enable the RF interface.
6	Reserved	
7	Generic Error	This IRQ occurs for any error that makes the device unreliable or nonoperational.
8-15	Reserved	

5.4.4 CRC Registers

Writing the CRC address and the CRC length registers initiates a 16-bit CRC calculation of the specified address range. The length is always assumed to be even (16-bit aligned). Writing the length register starts the CRC calculation.

During the CRC calculation, the CRC active bit is set (=1). When the calculation is complete, the "CRC completion" interrupt flag is set and the result of the CRC calculation can be read from the CRC result register. It is recommended to perform a CRC calculation only when the RF interface is disabled (RF Enable = 0).

Table 5-18. CRC Result Register

Address	15	14	13	12	11	10	9	8
0xFFF7	CRC CCITT Result (high byte)							
Address	7	6	5	4	3	2	1	0
0xFFF6	CRC CCITT Result (low byte)							

Table 5-19. CRC Result Register Description

BIT	FIELD	TYPE	RESET	DESCRIPTION
0-15	CRC-CCITT Result	R	0	CRC-CCITT Result

Table 5-20. CRC Length Register

Address	15	14	13	12	11	10	9	8
0xFFF5	CRC Length (high byte)							
Address	7	6	5	4	3	2	1	0
0xFFF4	CRC Length (low byte)							

Table 5-21. CRC Length Register Description

BIT	FIELD	TYPE	RESET	DESCRIPTION
0-15	CRC Length	RW	0	CRC Length - always assumed to be even (Bit 0 = 0). Writing into high byte starts CRC calculation.

Table 5-22. CRC Start Address Register

Address	15	14	13	12	11	10	9	8
0xFFF3	CRC Start Address (high byte)							
Address	7	6	5	4	3	2	1	0
0xFFF2	CRC Start Address (low byte)							

Table 5-23. CRC Start Address Register Description

BIT	FIELD	TYPE	RESET	DESCRIPTION
0-15	CRC Start Address	RW	0	CRC Start Address. Defines start address within NDEF memory. This address is always assumed to be even (bit 0 = 0).

The CRC is calculated based on the CCITT polynomial initialized with 0xFFFF.

CCITT polynomial: $x^{16} + x^{12} + x^5 + 1$

5.4.5 Communication Watchdog Register

When the communication watchdog is enabled, it expects a write or read access within a specified period; otherwise, the watchdog resets the device. If the BIP-8 communication mode is enabled, the transfer must be valid to be accepted as a watchdog reset.

Table 5-24. Communication Watchdog Register

Address	15	14	13	12	11	10	9	8
0xFFE1	Reserved							
Address	7	6	5	4	3	2	1	0
0xFFE0	Reserved				Time-out Period Selection			Enable

Table 5-25. Communication Watchdog Register Description

BIT	FIELD	TYPE	RESET	DESCRIPTION
0	Enable	R/W	0	0b = Communication Watchdog disabled 1b = Communication Watchdog enabled
1	Time-out Period Selection	R/W	0	000b = 2 s \pm 30% ⁽¹⁾ 001b = 32 s \pm 30% ⁽¹⁾ 010b = 8.5 min \pm 30% ⁽¹⁾ 011b to 111b = Reserved
4-15	Reserved	R	0	

(1) This value is based on use of the integrated low-frequency oscillator with a frequency of 256 kHz \pm 30%.

5.4.6 Version Register

Provides version information about the implemented ROM code.

Table 5-26. Version Register

Address	15	14	13	12	11	10	9	8
0xFFEF	Software Version							
Address	7	6	5	4	3	2	1	0
0xFFEE	Software Identification							

Table 5-27. Version Register Description

BIT	FIELD	TYPE	RESET	DESCRIPTION
0-7	Software Identification	R	1h	0x01: RF430CL330H firmware
8-15	Software Version	R	Device specific	Software version

5.5 NFC Type-4 Tag Functionality

This device is an ISO14443B-compliant transponder that operates according to the NFC Forum Tag Type-4 specification and supports the NFC Forum NDEF (NFC Data Exchange Format) requirements. Through the RF interface, the user can read and update the contents in the NDEF memory. The contents in the NDEF memory (stored in SRAM) are stored as long as power is maintained.

NOTE

This device does not have nonvolatile memory; therefore, the information stored in the NDEF memory is lost when power is removed.

This device does not support the peer-to-peer or reader/writer modes in the ISO18092/NFC Forum specification. All RF communication between an NFC forum device and this device is in the passive tag mode. The device responds by load modulation and is not considered an intentional radiator.

This device is intended to be used in applications where the primary reader/writer is for example an NFC-enabled cell phone. The device enables data transfer to and from an NFC phone by RF to the host application that is enabled with the dual interface device. In this case, the host application can be considered the destination device, and the cell phone or other type of mobile device is treated as the end-point device.

This device supports ISO14443-3, ISO14443-4, and NFC Forum commands as described in the following sections. A high-level overview of the ISO14443B and NFC commands and responses are shown in [Figure 5-10](#).

106-kbps, 212-kbps, 424-kbps, and 848-kbps data rates are supported.

The device always answers ATTRIB commands from the PCD that request higher data rates. Note, this is not NFC-compliant, because for NFC-B the maximum data rate specified is 106 kbps. It is assumed that an NFC-compliant PCD would not request higher data rates thus no interoperability issues are expected.

Even though all data rates up to 848 kbps are supported, the device by default reports only the capability to support 106 kbps to the PCD. To change this behavior, use the sequence described in [Section 5.5.3](#).

The ISO14443B command and response structure is detailed in ISO14443-3, ISO14443-4, and NFC Forum-TS-Digital Protocol. The applicable ISO7816-4 commands are detailed in NFC Forum-TS-Type-4-Tag_2.0.

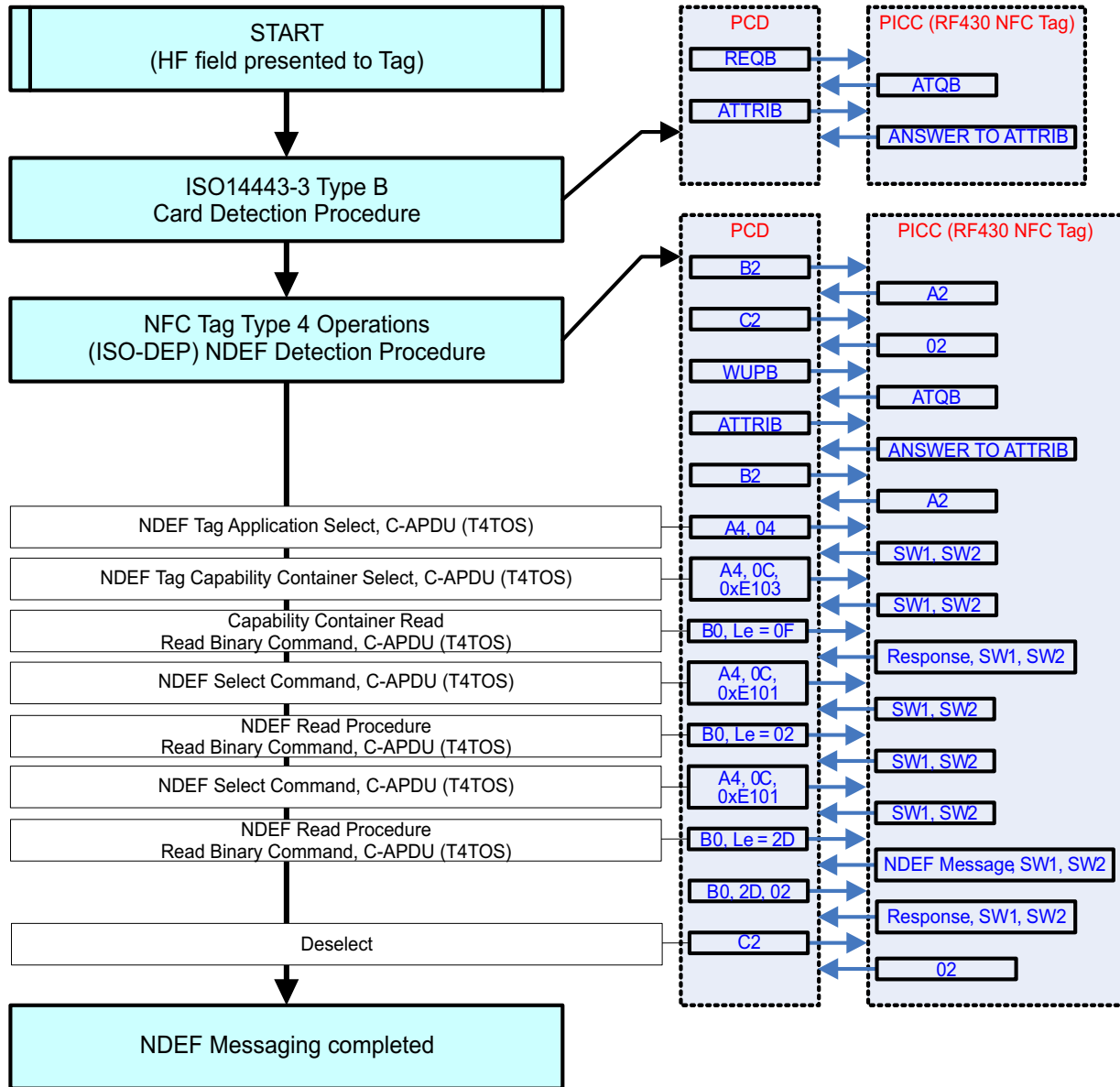


Figure 5-10. Command and Response Exchange Flow

5.5.1 ISO14443-3 Commands

These commands use the character, frame format, and timing that are described in ISO14443-3, clause 7.1. The following commands are used to manage communication:

REQB and WUPB

The REQB and WUPB commands sent by the PCD are used to probe the field for PICCs of Type B. In addition, WUPB is used to wake up PICCs that are in the HALT state. The number of slots N is included in the command as a parameter to optimize the anticollision algorithm for a given application.

Slot-MARKER

After a REQB or WUPB command, the PCD may send up to (N-1) Slot-MARKER commands to define the start of each timeslot. Slot-MARKER commands can be sent after the end of an ATQB message received by the PCD to mark the start of the next slot or earlier if no ATQB is received (there is no need to wait until the end of a slot, if this slot is known to be empty).

ATTRIB

The ATTRIB command sent by the PCD includes information required to select a single PICC. A PICC receiving an ATTRIB command with its identifier becomes selected and assigned to a dedicated channel. After being selected, this PICC only responds to commands defined in ISO/IEC 14443-4 that include its unique CID.

HLTB

The HLTB command is used to set a PICC in HALT state and stop responding to a REQB. After answering to this command, the PICC ignores any commands except the WUPB.

5.5.2 NFC Tag Type 4 Commands

Select

Selection of applications or files

ReadBinary

Read data from file

UpdateBinary

Update (erase and write) data to file

5.5.3 Data Rate Settings

106-kbps, 212-kbps, 424-kbps, and 848-kbps data rates are supported by the device.

The device always answers ATTRIB commands from the PCD that request higher data rates. Note, this is not NFC-compliant, because for NFC-B the maximum data rate specified is 106 kbps. It is assumed that an NFC-compliant PCD would not request higher data rates thus no interoperability issues are expected.

Even though all data rates up to 848 kbps are supported, the device by default reports only the capability to support 106 kbps to the PCD.

To change this behavior, follow these steps using the selected serial interface (I²C or SPI):

1. Read the version register.
2. Use the version register content to select one of the following sequences:
 - If "Software Identification" = 01h and "Software Version" = 01h, follow the sequence in [Table 5-28](#).
 - If "Software Identification" = 01h and "Software Version" = 02h, follow the sequence in [Table 5-29](#).
3. If you do not want to support all data rates up to 847 kbps, then change the Data Rate Capability byte (Data 0 of Step 3. Write Access) according to [Table 5-30](#).
4. Perform the steps in [Table 5-28](#) or [Table 5-29](#).

Table 5-28. Data Rate Setting Sequence (Version = 0101h)

ACCESS TYPE	ADDRESS BITS 15 to 8	ADDRESS BITS 7 to 0	DATA 0	DATA 1
1. Write Access	0xFF	0xE0	0x4E	0x00
2. Write Access	0xFF	0xFE	0x80	0x00
3. Write Access	0x2A	0xA4 ⁽¹⁾	0xC4 ⁽¹⁾	0x00
4. Write Access	0x28	0x14	0x00	0x00
5. Write Access	0xFF	0xE0	0x00	0x00

(1) Data Rate Capability according to [Table 5-30](#). 0xC4: all data rates up to 847 kbps are supported.

Table 5-29. Data Rate Setting Sequence (Version = 0201h)

ACCESS TYPE	ADDRESS BITS 15 to 8	ADDRESS BITS 7 to 0	DATA 0	DATA 1
1. Write Access	0xFF	0xE0	0x4E	0x00
2. Write Access	0xFF	0xFE	0x80	0x00
3. Write Access	0x2A	0x7C ⁽¹⁾	0xC4 ⁽¹⁾	0x00
4. Write Access	0x28	0x14	0x00	0x00
5. Write Access	0xFF	0xE0	0x00	0x00

(1) Data Rate Capability according to [Table 5-30](#). 0xC4: all data rates up to 847 kbps are supported.

Table 5-30. Data Rate Capability

DATA RATE CAPABILITY BYTE								DESCRIPTION
B7	B6	B5	B4	B3	B2	B1	B0	
0	0	0	0	0	0	0	0	PICC supports only 106-kbps in both directions (default).
1	x	x	x	0	x	x	x	Same data rate from PCD to PICC and from PICC to PCD compulsory
x	x	x	1	0	x	x	x	PICC to PCD, data rate supported is 212 kbps
x	x	1	x	0	x	x	x	PICC to PCD, data rate supported is 424 kbps
x	1	x	x	0	x	x	x	PICC to PCD, data rate supported is 847 kbps
x	x	x	x	0	x	x	1	PCD to PICC, data rate supported is 212 kbps
x	x	x	x	0	x	1	x	PCD to PICC, data rate supported is 424 kbps
x	x	x	x	0	1	x	x	PCD to PICC, data rate supported is 847 kbps

5.6 NDEF Memory

This device implements 3KB of SRAM memory that must be written with the NDEF Application data.

Table 5-31 shows the mandatory structure. The data can be accessed through the RF interface only after the NDEF memory is correctly initialized through the serial interface (I²C or SPI).

While writing into the NDEF memory, the RF interface must be disabled by clearing the Enable RF bit in the General Control register. After the NDEF memory is properly initialized, the RF interface can be enabled by setting the Enable RF bit in the General Control register to 1. When the RF interface is enabled, the basic NDEF structure is checked for correctness. If an error in the structure is detected, the NDEF Error IRQ is triggered, and the RF interface remains disabled (the Enable RF bit in the General Control register is cleared to 0).

If the NDEF application data must be modified through the serial interface after the RF interface is enabled, it is recommended to read the RF Busy bit in the Status register. If the RF interface is busy, defer disabling the RF interface until the RF transaction is completed (indicated by RF Busy bit = 0).

Figure 5-11 shows the recommended flow how to control the access to the NDEF memory.

The address range for the NDEF memory is 0x0000 to 0x0BFF.

Table 5-31. NDEF Application Data (Mandatory)

NDEF Application Selectable by Name = D2_7600_0085_0101h	Capability Container Selectable by File ID = E103h	2B - CCLen		The NDEF file control TLV is mandatory
		1B - Mapping version		
		2B - MLe = 000F9h		
		2B - MLc = 000F6h		
	NDEF File Ctrl TLV	1B - Tag = 04h		
		1B - Len = 06h		
		6B - Val	2B - File Identifier	
			2B - Max file size	
	1B - Read access			
	1B - Write access			
NDEF File Selectable by File ID = xxyyh	2B - Len		Mandatory NDEF file	
	xB - Binary NDEF file content			
	yB - Unused if Len < Max file size in File Ctrl TLV			

Table 5-32. NDEF Application Data (Includes Proprietary Sections)

NDEF Application Selectable by Name = D2_7600_0085_0101h	Capability Container Selectable by File ID = E103h	2B - CCLen			
		1B - Mapping version			
		2B - MLe = 000F9h			
		2B - MLc = 000F6h			
		NDEF File Ctrl TLV	1B - Tag = 04h		The NDEF file control TLV is mandatory
			1B - Len = 06h		
			6B - Val	2B - File Identifier	
				2B - Max file size	
		1B - Write access			
		Proprietary File Ctrl TLV (1)	1B - Tag = 05h		Zero or more proprietary file control TLVs
	1B - Len = 06h				
	6B - Val		2B - File Identifier		
			2B - Max file size		
		1B - Read access			
		1B - Write access			
⋮					
Proprietary File Ctrl TLV (N)	1B - Tag = 05h				
	1B - Len = 06h				
	6B - Val	2B - File Identifier			
		2B - Max file size			
1B - Read access					
1B - Write access					
NDEF File Selectable by File ID = xxyyh	2B - Len		Mandatory NDEF file		
	xB - Binary NDEF file content				
	yB - Unused if Len < Max file size in File Ctrl TLV				
Proprietary File (1) Selectable by File ID = xxyyh	2B - Len		Optional proprietary file		
	xB - Binary proprietary file content				
	yB - Unused if Len < Max file size in File Ctrl TLV				
⋮					
Proprietary File (N) Selectable by File ID = xxyyh	2B - Len		Optional proprietary file		
	xB - Binary proprietary file content				
	yB - Unused if Len < Max file size in File Ctrl TLV				

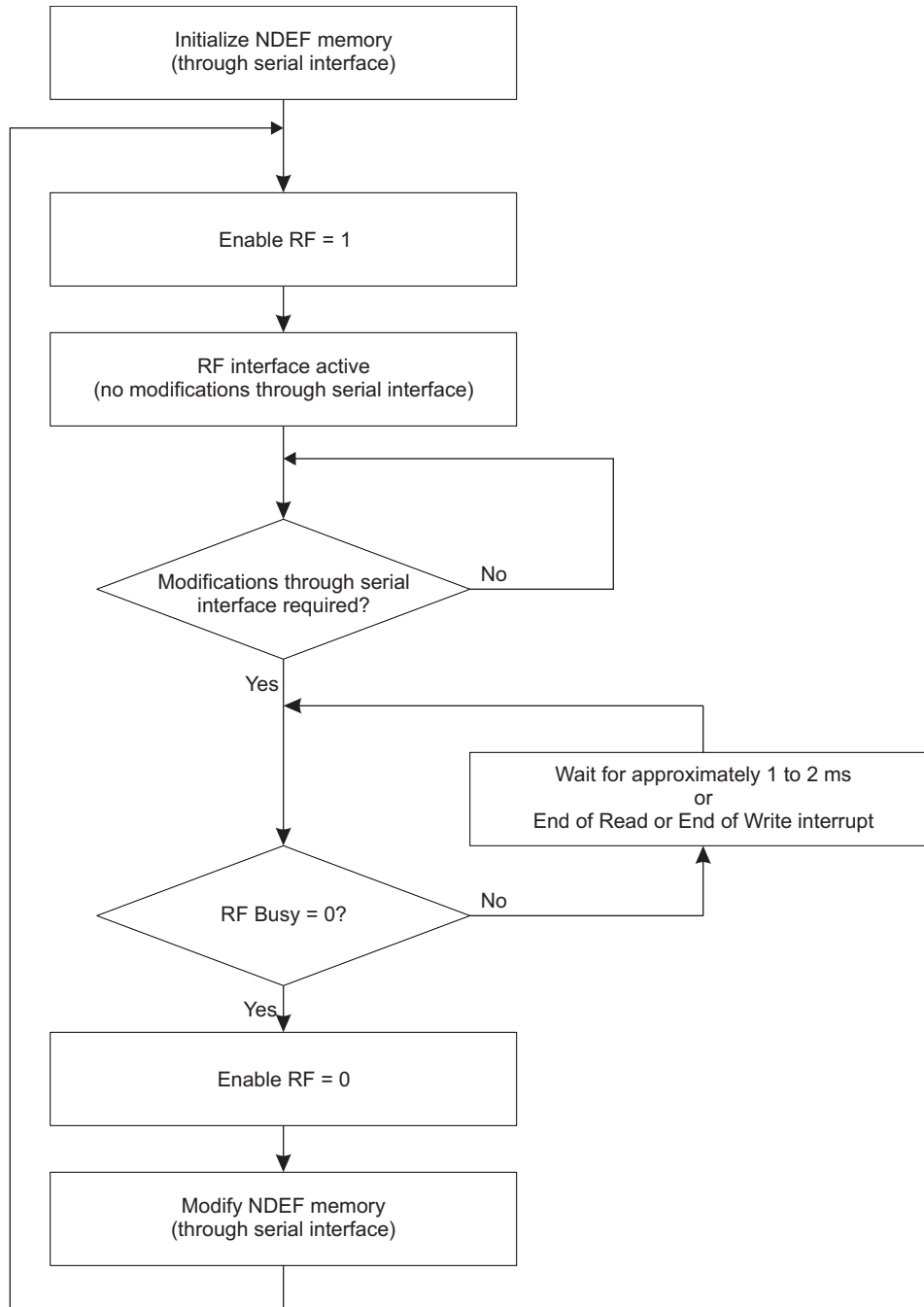


Figure 5-11. Recommended NDEF Memory Flow

5.6.1 NDEF Error Check

With the RF interface is enabled, the basic NDEF structure is automatically checked for correctness. If any of the following conditions are true, the error check fails, an NDEF error IRQ is triggered, and the RF interface remains disabled.

- CLEN is less than 0x000F or greater than 0xFFFE.
- MLe value is less than 0xF. Note, for best performance the MLe value should be programmed to 0x00F9.
- MLc is equal to zero. Note, for best performance the MLc value should be programmed to 0x00F6.
- TLV tag does not equal 0x4.
- TLV length does not equal 0x6.
- File ID equals 0, or 0xE102, or 0xE103, or 0x3F00, or 0x3FFF, or 0xFFFF.
- Max NDEF size is less than 0x5 or greater than 0xFFFE.
- Read access is greater than 0 and less than 0x80.
- Write access is greater than 0 and less than 0x80.

Also, the proprietary TLVs are checked. The check fails if any of the following conditions are true.

- TLV tag does not equal 0x05.
- TLV length does not equal 0x6.
- File ID equals 0, or 0xE102, or 0xE103, or 0x3F00, or 0x3FFF, or 0xFFFF.
- Max NDEF size is less than 0x5 or greater than 0xFFFE.
- Read access is greater than 0 and less than 0x80.
- Write access is greater than 0 and less than 0x80.

5.6.2 Typical Use Scenario

A typical use scenario is as follows:

1. Write capability container and messages into the NDEF memory (starting from address 0) using the serial interface.
2. Enable interrupts (especially End of Read and End of Write).
3. Configure the interrupt pin INTO as needed and enable the RF interface.
4. Wait for interrupt signaled by INTO.
5. Disable RF interface (but keep INTO settings unchanged).
6. Read interrupt flag register to determine interrupt sources.
7. Clear interrupt flags. INTO returns to inactive state.
8. Read and modify NDEF memory as needed.
9. Enable RF interface again (keeping INTO settings unchanged) and continue with Step 4.

5.7 Identification

5.7.1 Revision Identification

The device revision information is shown as part of the top-side marking on the device package. The device-specific errata sheet describes these markings. For a link to the errata sheet for the device in this data sheet, see [Section 7.2](#).

5.7.2 Device Identification

The device type can be identified from the top-side marking on the device package. The device-specific errata sheet describes these markings. For a link to the errata sheet for the device in this data sheet, see [Section 7.2](#).

5.7.3 JTAG Identification

This device does not provide JTAG-compliant boundary scan test.

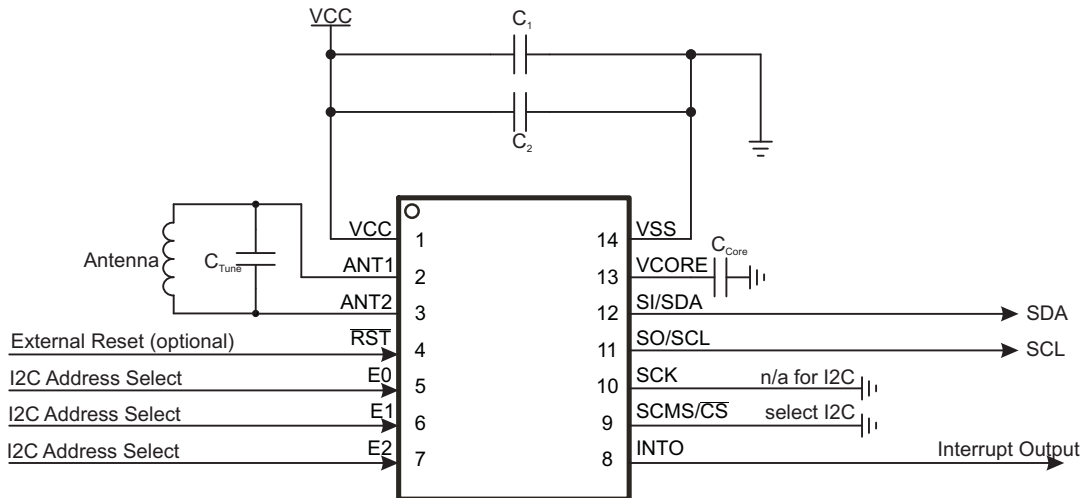
5.7.4 Software Identification

The Version register (see [Section 5.4.6](#)) stores the software version number.

6 Applications, Implementation, and Layout

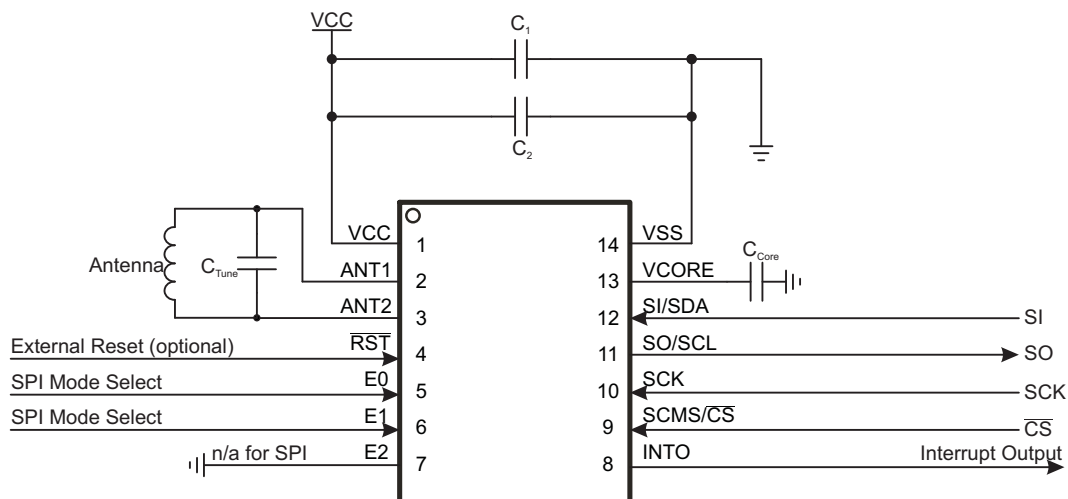
6.1 Application Diagrams

Figure 6-1 and Figure 6-2 show sample application diagrams for I²C and SPI operation, respectively.



NOTE: For recommended capacitance values, see [Recommended Operating Conditions](#).

Figure 6-1. Example Application Diagram (I²C Operation)



NOTE: For recommended capacitance values, see [Recommended Operating Conditions](#).

Figure 6-2. Example Application Diagram (SPI Operation)

6.2 References

ISO/IEC 14443-2: 2001, Part 2: Radio frequency interface power and signal interface

ISO/IEC 14443-3: 2001, Part 3: Initialization and anticollision

ISO/IEC 14443-4: 2001, Part 4: Transmission protocols

ISO/IEC 18092, NFC Communication Interface and Protocol-1 (NFCIP-1)

ISO/IEC 21481, NFC Communication Interface Protocol-2 (NFCIP-2)

NDEF NFC Forum Spec, NFC Data Exchange Format Specification

7 Device and Documentation Support

7.1 Device Support

7.1.1 Development Support

7.1.1.1 Getting Started and Next Steps

For more information on the RF430 family of devices and the tools and software that are available to help with your development, visit the [Tools & Software for NFC / RFID](#) page.

The Dynamic Near Field Communication (NFC) Type 4B Tag design ([TIDM-DYNAMICNFCTAG](#)) outlines the required components, layout considerations, and provides firmware examples to implement NFC into applications such as *Bluetooth*/Wi-Fi pairing, equipment configuration and diagnostics, or as a general purpose NFC data interface. The documentation, hardware, and example code provided allows the designer to quickly implement NFC functionality with an MSP430™ MCU or other MCU of choice.

7.1.2 Device and Development Tool Nomenclature

To designate the stages in the product development cycle, TI assigns prefixes to the part numbers of all RF430 MCU devices and support tools. Each commercial family member has one of three prefixes: RF, P, or X (for example, RF430CL330H). TI recommends two of three possible prefix designators for its support tools: RF and X. These prefixes represent evolutionary stages of product development from engineering prototypes (with X for devices and tools) through fully qualified production devices and tools (with RF for devices tools).

Device development evolutionary flow:

X – Experimental device that is not necessarily representative of the electrical specifications of the final device

P – Final silicon die that conforms to the electrical specifications of the final device but has not completed quality and reliability verification

RF – Fully qualified production device

Support tool development evolutionary flow:

X – Development-support product that has not yet completed TI internal qualification testing.

RF – Fully-qualified development-support product

X and P devices and X development-support tools are shipped against the following disclaimer:

"Developmental product is intended for internal evaluation purposes."

RF devices and RF development-support tools have been characterized fully, and the quality and reliability of the device have been demonstrated fully. TI's standard warranty applies.

Predictions show that prototype devices (X and P) have a greater failure rate than the standard production devices. TI recommends that these devices not be used in any production system because their expected end-use failure rate still is undefined. Only qualified production devices are to be used.

TI device nomenclature also includes a suffix with the device family name. This suffix indicates the package type (for example, RGE) and temperature range (for example, T). [Figure 7-1](#) provides a legend for reading the complete device name for any family member.

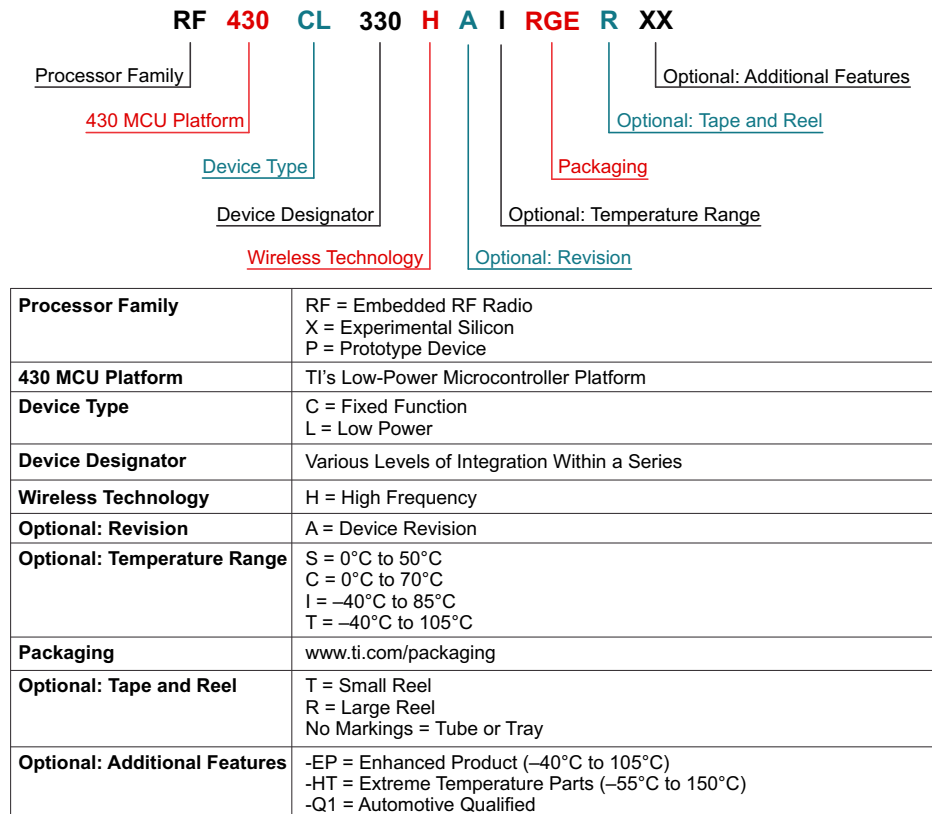


Figure 7-1. Device Nomenclature

7.2 Documentation Support

The following documents describe the RF430CL330H device. Copies of these documents are available on the Internet at www.ti.com.

[SLAZ540](#) **RF430CL330H Device Erratasheet.** Describes the known exceptions to the functional specifications for the RF430CL330H device.

[SLOA187](#) **Automating Bluetooth(R) Pairing With Near-Field Communications (NFC).** This collaborative document is a follow up to a previously released specification by the NFC Forum titled *NFC Forum Connection Handover Specification*, which began to define the structure and sequence of interactions that enable two NFC-enabled devices to establish a connection using other wireless communication technologies. This application report explains how to implement the NFC Forum/Bluetooth SIG specification in an embedded application using the RF430CL330H dynamic NFC transponder.

7.3 Community Resources

The following links connect to TI community resources. Linked contents are provided "AS IS" by the respective contributors. They do not constitute TI specifications and do not necessarily reflect TI's views; see TI's [Terms of Use](#).

[TI E2E™ Community](#)

TI's Engineer-to-Engineer (E2E) Community. Created to foster collaboration among engineers. At e2e.ti.com, you can ask questions, share knowledge, explore ideas and help solve problems with fellow engineers.

7.4 Trademarks

MSP430, E2E are trademarks of Texas Instruments.

Bluetooth is a registered trademark of Bluetooth SIG, Inc.

Wi-Fi is a registered trademark of Wi-Fi Alliance.

All other trademarks are the property of their respective owners.

7.5 Electrostatic Discharge Caution



This integrated circuit can be damaged by ESD. Texas Instruments recommends that all integrated circuits be handled with appropriate precautions. Failure to observe proper handling and installation procedures can cause damage.

ESD damage can range from subtle performance degradation to complete device failure. Precision integrated circuits may be more susceptible to damage because very small parametric changes could cause the device not to meet its published specifications.

7.6 Export Control Notice

Recipient agrees to not knowingly export or re-export, directly or indirectly, any product or technical data (as defined by the U.S., EU, and other Export Administration Regulations) including software, or any controlled product restricted by other applicable national regulations, received from disclosing party under nondisclosure obligations (if any), or any direct product of such technology, to any destination to which such export or re-export is restricted or prohibited by U.S. or other applicable laws, without obtaining prior authorization from U.S. Department of Commerce and other competent Government authorities to the extent required by those laws.

7.7 Glossary

[SLYZ022](#) — *TI Glossary*.

This glossary lists and explains terms, acronyms, and definitions.

8 Mechanical, Packaging, and Orderable Information

The following pages include mechanical, packaging, and orderable information. This information is the most current data available for the designated devices. This data is subject to change without notice and revision of this document. For browser-based versions of this data sheet, refer to the left-hand navigation.

PACKAGING INFORMATION

Orderable Device	Status (1)	Package Type	Package Drawing	Pins	Package Qty	Eco Plan (2)	Lead/Ball Finish (6)	MSL Peak Temp (3)	Op Temp (°C)	Device Marking (4/5)	Samples
RF430CL330HTPWRQ1	ACTIVE	TSSOP	PW	14	2000	Green (RoHS & no Sb/Br)	CU NIPDAU	Level-2-260C-1 YEAR	-40 to 105	CL330Q1	Samples

(1) The marketing status values are defined as follows:

ACTIVE: Product device recommended for new designs.

LIFEBUY: TI has announced that the device will be discontinued, and a lifetime-buy period is in effect.

NRND: Not recommended for new designs. Device is in production to support existing customers, but TI does not recommend using this part in a new design.

PREVIEW: Device has been announced but is not in production. Samples may or may not be available.

OBSOLETE: TI has discontinued the production of the device.

(2) Eco Plan - The planned eco-friendly classification: Pb-Free (RoHS), Pb-Free (RoHS Exempt), or Green (RoHS & no Sb/Br) - please check <http://www.ti.com/productcontent> for the latest availability information and additional product content details.

TBD: The Pb-Free/Green conversion plan has not been defined.

Pb-Free (RoHS): TI's terms "Lead-Free" or "Pb-Free" mean semiconductor products that are compatible with the current RoHS requirements for all 6 substances, including the requirement that lead not exceed 0.1% by weight in homogeneous materials. Where designed to be soldered at high temperatures, TI Pb-Free products are suitable for use in specified lead-free processes.

Pb-Free (RoHS Exempt): This component has a RoHS exemption for either 1) lead-based flip-chip solder bumps used between the die and package, or 2) lead-based die adhesive used between the die and leadframe. The component is otherwise considered Pb-Free (RoHS compatible) as defined above.

Green (RoHS & no Sb/Br): TI defines "Green" to mean Pb-Free (RoHS compatible), and free of Bromine (Br) and Antimony (Sb) based flame retardants (Br or Sb do not exceed 0.1% by weight in homogeneous material)

(3) MSL, Peak Temp. - The Moisture Sensitivity Level rating according to the JEDEC industry standard classifications, and peak solder temperature.

(4) There may be additional marking, which relates to the logo, the lot trace code information, or the environmental category on the device.

(5) Multiple Device Markings will be inside parentheses. Only one Device Marking contained in parentheses and separated by a "~" will appear on a device. If a line is indented then it is a continuation of the previous line and the two combined represent the entire Device Marking for that device.

(6) Lead/Ball Finish - Orderable Devices may have multiple material finish options. Finish options are separated by a vertical ruled line. Lead/Ball Finish values may wrap to two lines if the finish value exceeds the maximum column width.

Important Information and Disclaimer: The information provided on this page represents TI's knowledge and belief as of the date that it is provided. TI bases its knowledge and belief on information provided by third parties, and makes no representation or warranty as to the accuracy of such information. Efforts are underway to better integrate information from third parties. TI has taken and continues to take reasonable steps to provide representative and accurate information but may not have conducted destructive testing or chemical analysis on incoming materials and chemicals. TI and TI suppliers consider certain information to be proprietary, and thus CAS numbers and other limited information may not be available for release.

In no event shall TI's liability arising out of such information exceed the total purchase price of the TI part(s) at issue in this document sold by TI to Customer on an annual basis.

OTHER QUALIFIED VERSIONS OF RF430CL330H-Q1 :

- Catalog: [RF430CL330H](#)

NOTE: Qualified Version Definitions:

- Catalog - TI's standard catalog product

PW (R-PDSO-G14)

PLASTIC SMALL OUTLINE



- NOTES:
- A. All linear dimensions are in millimeters. Dimensioning and tolerancing per ASME Y14.5M-1994.
 - B. This drawing is subject to change without notice.
 - C. Body length does not include mold flash, protrusions, or gate burrs. Mold flash, protrusions, or gate burrs shall not exceed 0,15 each side.
 - D. Body width does not include interlead flash. Interlead flash shall not exceed 0,25 each side.
 - E. Falls within JEDEC MO-153

PW (R-PDSO-G14)

PLASTIC SMALL OUTLINE



- NOTES:
- A. All linear dimensions are in millimeters.
 - B. This drawing is subject to change without notice.
 - C. Publication IPC-7351 is recommended for alternate designs.
 - D. Laser cutting apertures with trapezoidal walls and also rounding corners will offer better paste release. Customers should contact their board assembly site for stencil design recommendations. Refer to IPC-7525 for other stencil recommendations.
 - E. Customers should contact their board fabrication site for solder mask tolerances between and around signal pads.

IMPORTANT NOTICE

Texas Instruments Incorporated and its subsidiaries (TI) reserve the right to make corrections, enhancements, improvements and other changes to its semiconductor products and services per JESD46, latest issue, and to discontinue any product or service per JESD48, latest issue. Buyers should obtain the latest relevant information before placing orders and should verify that such information is current and complete. All semiconductor products (also referred to herein as "components") are sold subject to TI's terms and conditions of sale supplied at the time of order acknowledgment.

TI warrants performance of its components to the specifications applicable at the time of sale, in accordance with the warranty in TI's terms and conditions of sale of semiconductor products. Testing and other quality control techniques are used to the extent TI deems necessary to support this warranty. Except where mandated by applicable law, testing of all parameters of each component is not necessarily performed.

TI assumes no liability for applications assistance or the design of Buyers' products. Buyers are responsible for their products and applications using TI components. To minimize the risks associated with Buyers' products and applications, Buyers should provide adequate design and operating safeguards.

TI does not warrant or represent that any license, either express or implied, is granted under any patent right, copyright, mask work right, or other intellectual property right relating to any combination, machine, or process in which TI components or services are used. Information published by TI regarding third-party products or services does not constitute a license to use such products or services or a warranty or endorsement thereof. Use of such information may require a license from a third party under the patents or other intellectual property of the third party, or a license from TI under the patents or other intellectual property of TI.

Reproduction of significant portions of TI information in TI data books or data sheets is permissible only if reproduction is without alteration and is accompanied by all associated warranties, conditions, limitations, and notices. TI is not responsible or liable for such altered documentation. Information of third parties may be subject to additional restrictions.

Resale of TI components or services with statements different from or beyond the parameters stated by TI for that component or service voids all express and any implied warranties for the associated TI component or service and is an unfair and deceptive business practice. TI is not responsible or liable for any such statements.

Buyer acknowledges and agrees that it is solely responsible for compliance with all legal, regulatory and safety-related requirements concerning its products, and any use of TI components in its applications, notwithstanding any applications-related information or support that may be provided by TI. Buyer represents and agrees that it has all the necessary expertise to create and implement safeguards which anticipate dangerous consequences of failures, monitor failures and their consequences, lessen the likelihood of failures that might cause harm and take appropriate remedial actions. Buyer will fully indemnify TI and its representatives against any damages arising out of the use of any TI components in safety-critical applications.

In some cases, TI components may be promoted specifically to facilitate safety-related applications. With such components, TI's goal is to help enable customers to design and create their own end-product solutions that meet applicable functional safety standards and requirements. Nonetheless, such components are subject to these terms.

No TI components are authorized for use in FDA Class III (or similar life-critical medical equipment) unless authorized officers of the parties have executed a special agreement specifically governing such use.

Only those TI components which TI has specifically designated as military grade or "enhanced plastic" are designed and intended for use in military/aerospace applications or environments. Buyer acknowledges and agrees that any military or aerospace use of TI components which have **not** been so designated is solely at the Buyer's risk, and that Buyer is solely responsible for compliance with all legal and regulatory requirements in connection with such use.

TI has specifically designated certain components as meeting ISO/TS16949 requirements, mainly for automotive use. In any case of use of non-designated products, TI will not be responsible for any failure to meet ISO/TS16949.

Products

Audio	www.ti.com/audio
Amplifiers	amplifier.ti.com
Data Converters	dataconverter.ti.com
DLP® Products	www.dlp.com
DSP	dsp.ti.com
Clocks and Timers	www.ti.com/clocks
Interface	interface.ti.com
Logic	logic.ti.com
Power Mgmt	power.ti.com
Microcontrollers	microcontroller.ti.com
RFID	www.ti-rfid.com
OMAP Applications Processors	www.ti.com/omap
Wireless Connectivity	www.ti.com/wirelessconnectivity

Applications

Automotive and Transportation	www.ti.com/automotive
Communications and Telecom	www.ti.com/communications
Computers and Peripherals	www.ti.com/computers
Consumer Electronics	www.ti.com/consumer-apps
Energy and Lighting	www.ti.com/energy
Industrial	www.ti.com/industrial
Medical	www.ti.com/medical
Security	www.ti.com/security
Space, Avionics and Defense	www.ti.com/space-avionics-defense
Video and Imaging	www.ti.com/video

TI E2E Community

e2e.ti.com